

Forseal FOA made of PTFE

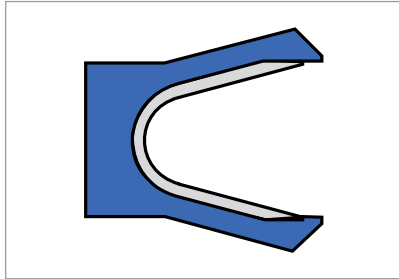


Fig. 1 Forseal FOA made of PTFE

Product description

Single acting, U-ring type PTFE seal with metal tension spring.

Product advantages

Axially moving piston seal, interchangeable for O-ring housings (ARP568, MIL-P-5514)

- Extremely resistant to media and temperature
- Good dry running properties
- Low static and dynamic friction values.

Application

Hot water valves, accumulators, hydraulic and pneumatic cylinders as well as applications in food processing, medical and chemical technology.

Design notes

Beside the default dimensions, all special dimensions considering the U-ring profiles are available on request without surcharge for the tool. Dimensions available from Ø 10 (piston) to approx. 2000 mm. In general, installation is only possible in split, axially accessible grooves. Installation in half-open grooves possible in exceptional cases. → Technical Manual.

Material

Material	Code	Tension spring
PTFE carbon-filled	PTFE 10/F56110	stainless steel (Material No. 1.4310)

Operating conditions

Material	PTFE 10/F56110 + 1.4310
	Temperature range in °C
Hydraulic oils, oil, water, steam, air, solvents, pharmaceutical goods, foodstuffs or all media that do not attack PTFE and stainless steel	-200 ... +260
Pressure p in MPa	30
Running speed v in m/s	15

Material	PTFE 10/F56110 +spring Hastelloy C276 (Not available ex-works)
	Temperature range in °C
Aggressive acids and alkalis	-200 ... +260
Pressure p in MPa	30
Running speed v in m/s	15

Turning-pivoting movements possible. No rotation. → Technical Manual.

Surface quality

Sealing surfaces, dynamic/static: → Fig. 2

Lead-in chamfers: $R_a < 1,6 \mu\text{m}$

Sides of groove: $R_a < 2,5 \mu\text{m}$

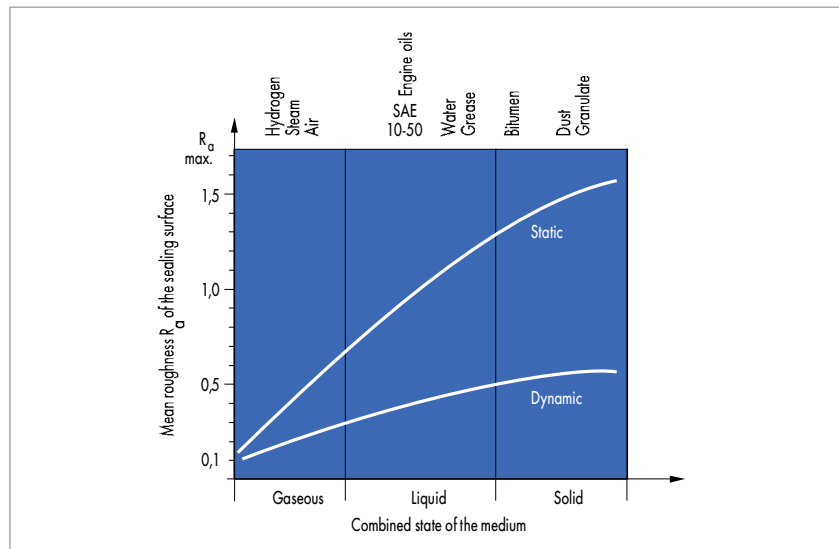
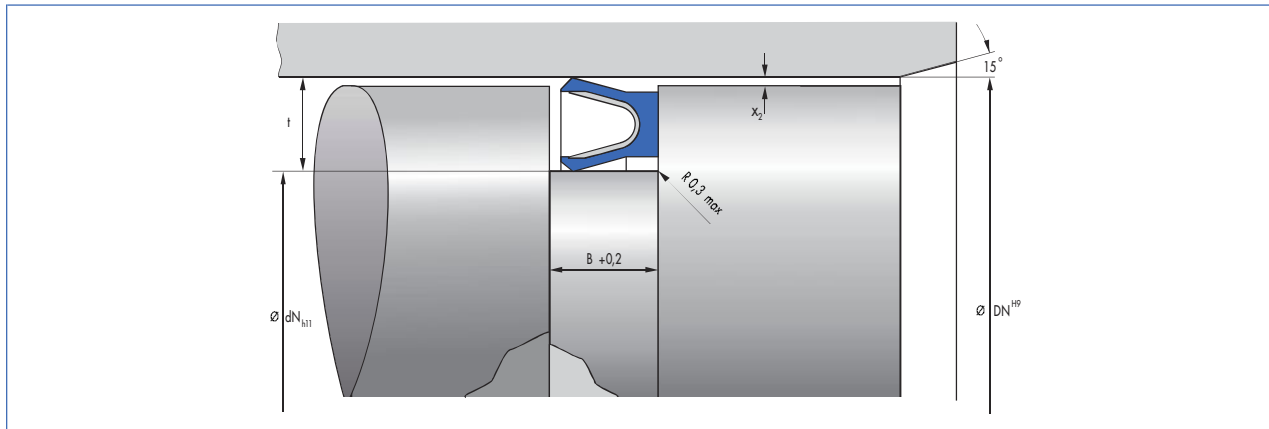


Fig. 2 Surface recommendation for sealing surfaces

Article list



D _N	d _N	h	t	x _{2 max}	Interchangeable for O-Ring	B + 0,2	Material	Article No.	
10	7,1	2,1	1,45	0,07	1,78	2,4	PTFE F56110	422091	●
12	9,1	2,1	1,45	0,07	1,78	2,4	PTFE F56110	435978	●
14	9,5	2,1	1,45	0,07	1,78	2,4	PTFE F56110	417777	○
16	11,5	3,2	2,25	0,08	2,62	3,6	PTFE F56110	372523	●
18	13,5	3,2	2,25	0,08	2,62	3,6	PTFE F56110	397780	●
20	15,5	3,2	2,25	0,08	2,62	3,6	PTFE F56110	366331	●
24	19,5	3,2	2,25	0,08	2,62	3,6	PTFE F56110	525886	○
25	20,5	3,2	2,25	0,08	2,62	3,6	PTFE F56110	366333	●
28	21,8	4,3	3,1	0,1	3,53	4,8	PTFE F56110	390784	●
30	23,8	4,3	3,1	0,1	3,53	4,8	PTFE F56110	366335	●
32	25,8	4,3	3,1	0,1	3,53	4,8	PTFE F56110	366336	●
35	28,8	4,3	3,1	0,1	3,53	4,8	PTFE F56110	371930	●
40	33,8	4,3	3,1	0,1	3,53	4,8	PTFE F56110	366337	●
42	35,8	4,3	3,1	0,1	3,53	4,8	PTFE F56110	434448	●
45	38,8	4,3	3,1	0,1	3,53	4,8	PTFE F56110	371448	●
48	38,6	6,6	4,7	0,12	5,33	7,1	PTFE F56110	422093	○
50	40,6	6,6	4,7	0,12	5,33	7,1	PTFE F56110	366338	●
55	45,6	6,6	4,7	0,12	5,33	7,1	PTFE F56110	422322	●
56	46,6	6,6	4,7	0,12	5,33	7,1	PTFE F56110	422323	●
60	50,6	6,6	4,7	0,12	5,33	7,1	PTFE F56110	366339	●
63	53,6	6,6	4,7	0,12	5,33	7,1	PTFE F56110	366340	●
65	74,4	6,6	4,7	0,12	5,33	7,1	PTFE F56110	371445	●
70	60,6	6,6	4,7	0,12	5,33	7,1	PTFE F56110	366341	●
75	65,6	6,6	4,7	0,12	5,33	7,1	PTFE F56110	422325	●
80	70,6	6,6	4,7	0,12	5,33	7,1	PTFE F56110	366342	●
85	75,6	6,6	4,7	0,12	5,33	7,1	PTFE F56110	422327	○
90	80,6	6,6	4,7	0,12	5,33	7,1	PTFE F56110	422328	●
95	85,6	6,6	4,7	0,12	5,33	7,1	PTFE F56110	389792	●
100	90,6	6,6	4,7	0,12	5,33	7,1	PTFE F56110	366343	●
110	100	6,6	4,7	0,12	5,33	7,1	PTFE F56110	422331	●
120	110,6	6,6	4,7	0,12	5,33	7,1	PTFE F56110	162774	○
125	115	6,6	4,7	0,12	5,33	7,1	PTFE F56110	422333	●
130	117	9	6,1	0,15	7	9,5	PTFE F56110	434449	○
140	127	9	6,1	0,15	7	9,5	PTFE F56110	434451	●
150	137	9	6,1	0,15	7	9,5	PTFE F56110	373520	●

● Available from stock ○ On request: Tool is available, delivery at short notice

D_N	d_N	h	t	$x_{2 \max}$	Interchangeable for O-Ring	B+0,2	Material	Article No.	
160	147,8	9	6,1	0,15	7	9,5	PTFE F56110	165069	●
170	157	9	6,1	0,15	7	9,5	PTFE F56110	422332	●
180	167	9	6,1	0,15	7	9,5	PTFE F56110	422335	●
190	177	9	6,1	0,15	7	9,5	PTFE F56110	405589	●
200	187	9	6,1	0,15	7	9,5	PTFE F56110	378166	●

● Available from stock ○ On request: Tool is available, delivery at short notice

Merkel Chevron Seal Set EK, EKV

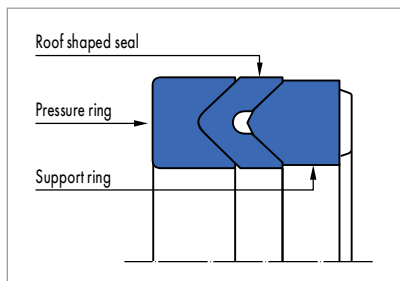


Fig. 1 Merkel Chevron Seal Set EK, EKV

Product description

Multi-part Merkel Chevron Seal Set comprising one thrust ring, one or two seals and a back-up ring.

Product advantages

Seal set for robust operating conditions, predominantly the provision of spare parts for older plant. Merkel Chevron Seal Set EK, EKV can be used for pistons with pressure on one side or "back to back" for pistons with pressure on both sides

- Proven under extreme conditions
- High durability
- Can be optimally adjusted to the related application
- Functions over a certain time period even with poorer surfaces
- Insensitive to soiling
- For application and design related reasons, fluctuations in the leakage behaviour and in the friction behaviour are to be expected.

Application

Injection moulding machines, presses, marine hydraulics, scrap cutters, iron and steel industry, special cylinders, steel hydraulics, engineering.

Material

Pressure ring

Material	Code
Cotton fabric/FKM	BI-FKM
Cotton fabric/FKM	BI-NBR B259

Roof-shaped seal

Material	Code
Cotton fabric/FKM	BI-NBR
Cotton fabric/FKM	BI-FKM

Rubber fabric roof-shaped seal

Material	Code	Hardness
Cotton fabric/FKM	85 NBR	85 FKM (EKV)
Cotton fabric/FKM	85 Shore A	85 Shore A

Back-up ring

Material	Code
Cotton fabric/NBR	BI-NBR
Cotton fabric/FKM	BI-FKM
Polyacetal POM	POM

Operating conditions

Material	BI-NBR / 85 NBR	BI-FKM / 85 FKM
	Temperature range in °C	
Hydraulic oils HL, HLP	-30 ... +100	-15 ... +140
HFA fluids	+5 ... +60	+5 ... +60
HFB fluids	+5 ... +60	+5 ... +60
HFC fluids	-30 ... +60	-15 ... +60
HFD fluids	-	-15 ... +140
Water	+5 ... +100	+5 ... +80
HETG (rapeseed oil)	-30 ... +80	-15 ... +80
HEES (synthetic esters)	-30 ... +80	-15 ... +100
HEPG (glycol)	-30 ... +60	-15 ... +80
Mineral greases	-30 ... +100	-15 ... +140
Pressure p in MPa	40	
Running speed v in m/s	0,5	

Surface quality

Surface roughness	R _a	R _{max}
Sliding surface	0,05 ... 0,3 µm	≤2,5 µm
Groove base	≤1,6 µm	≤6,3 µm
Groove flanks	≤3,0 µm	≤15,0 µm

Percentage contact area M_c >50% to max. 90% at cutting depth c = Rz/2 and reference line C ref = 0%.

Design notes

Please observe our general design notes in → Technical Manual.

Nominal \varnothing D	d
≤80	H9/f8
>80 ... 120	H8/f8
>120 ... 500	H8/f7
> 500 ... 630	H8/f7
>630 ... 800	H8/f7
> 800 ... 1000	H8/f7
>1000 ... 1250	H8/f7

Tolerance recommendation

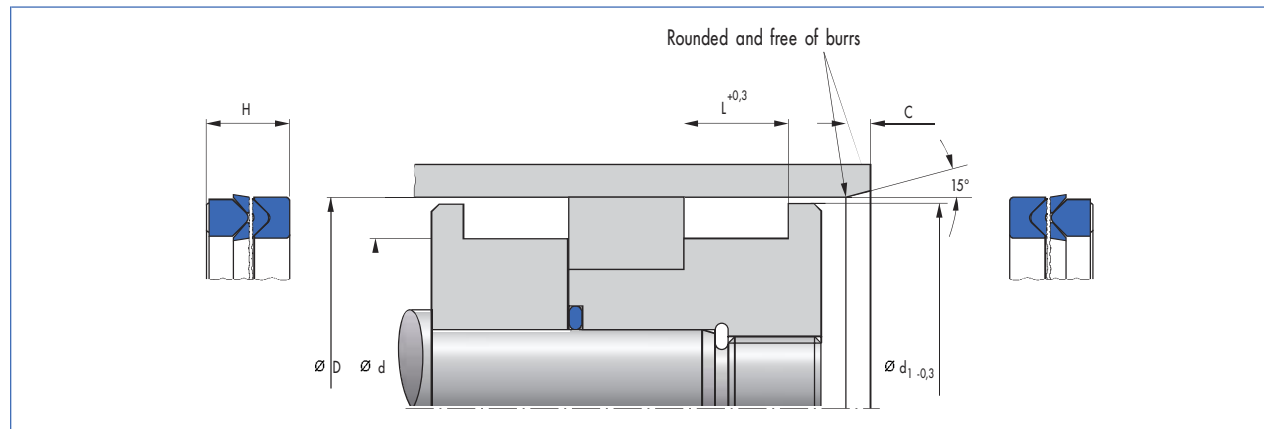
Nominal \varnothing D	D	d ₁
≤500	H11	-0,3
>500	H10	-0,3

Fitting & installation

Careful fitting is a prerequisite for the correct function of the seal.

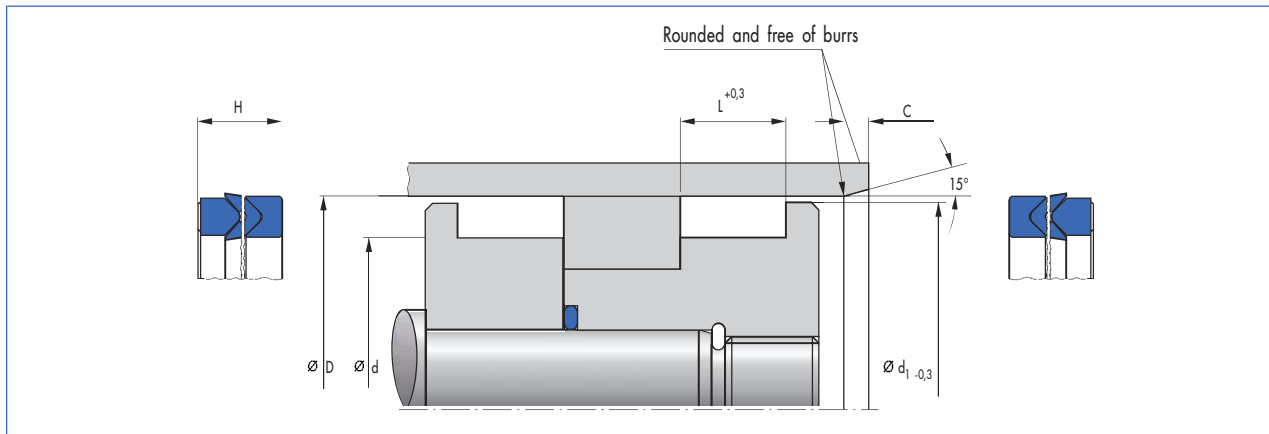
→ Technical Manual.

Article list



D	d	d ₁	L	H	Profile	C	Material	Type	Article No.	
40	25	39	11,5	11	7,5	5	BI-N B3B246	EK	24070153	●
40	25	39	11,5	11	7,5	5	BI-F B3K674	EKV	24101339	●
45	30	44	11,5	11	7,5	5	BI-N B3B246	EK	24070155	○
45	30	44	11,5	11	7,5	5	BI-F B3K674	EKV	24148048	○
50	35	49	11,5	11	7,5	5	BI-N B3B246	EK	24070156	●
50	35	49	11,5	11	7,5	5	BI-F B3K674	EKV	24139300	●
55	40	54	11,5	11	7,5	5	BI-N B3B246	EK	24070157	○
55	40	54	11,5	11	7,5	5	BI-F B3K674	EKV	24148049	○
56	41	55	11,5	11	7,5	5	BI-N B3B246	EK	24070158	○
56	41	55	11,5	11	7,5	5	BI-F B3K674	EKV	24148050	○
60	45	59	11,5	11	7,5	5	BI-N B3B246	EK	24070159	●
60	45	59	11,5	11	7,5	5	BI-F B3K674	EKV	24139297	○
63	48	62	12,5	12	7,5	5	BI-N B3B246	EK	24076835	○
63	48	62	13	12,5	7,5	5	BI-N B3B246	EK	24070160	●
63	48	62	13	12,5	7,5	5	BI-F B3K674	EKV	24139361	●
65	50	64	13	12,5	7,5	5	BI-N B3B246	EK	24138932	○
70	50	69	15,2	14,6	10	6	BI-N B4B246	EK	24070161	●
70	50	69	15,2	14,6	10	6	BI-F B4K674	EKV	24139314	○
80	60	79	15,2	14,6	10	6	BI-N B4B246	EK	24070162	●
80	65	79	12,5	12	7,5	5	BI-F B3K674	EKV	24248122	○
90	70	89	21,2	20,6	10	6	BI-N B4B246	EK	24070163	●
90	70	89	21,2	20,6	10	6	BI-F B4K674	EKV	24148051	○
100	80	99	21,2	20,6	10	6	BI-N B4B246	EK	24070164	●
100	80	99	21,2	20,6	10	6	BI-F B4K674	EKV	24139296	●
100	85	99	12,5	12	7,5	6	BI-N B3B246	EK	24073568	○
110	90	109	21,2	20	10	6	BI-N B4B246	EK	24070165	●
110	90	109	21,2	20,6	10	6	BI-F B4K674	EKV	24144307	○
115	95	114	21,2	20,6	10	6	BI-N B4B246	EK	24070166	●
115	95	114	21,2	20,6	10	6	BI-F B4K674	EKV	24148052	○
120	95	119	25,3	24,5	12,5	7,5	BI-N B4B246	EK	24071344	●
125	100	124	25,8	25	12,5	7,5	BI-N B4B246	EK	24070167	●
125	100	124	25,8	25	12,5	7,5	BI-F B4K674	EKV	24099512	●
140	115	139	25,8	25	12,5	7,5	BI-N B4B246	EK	24070168	●
140	115	139	25,8	25	12,5	7,5	BI-F B4K674	EKV	24139362	●
150	120	148,5	29	28	15	7,5	BI-N B4B246	EK	24070169	●

● Available from stock ○ On request: Tool is available, delivery at short notice

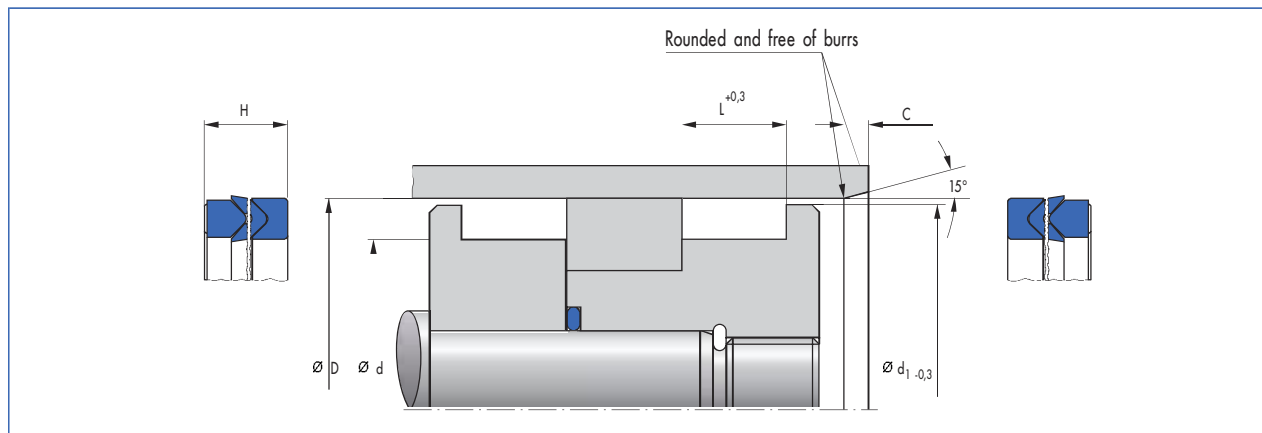


D	d	d ₁	L	H	Profile	C	Material	Type	Article No.	
150	120	148,5	29	28	15	7,5	BI-F B4K674	EKV	24144511	○
160	130	158,5	29	28	15	7,5	BI-N B4B246	EK	24070170	●
160	130	158,5	29	28	15	7,5	BI-F B4K674	EKV	24099516	●
180	150	178,5	31,5	30,5	15	7,5	BI-N B4B246	EK	24070171	●
180	150	178,5	31,5	30,5	15	7,5	BI-F B4K674	EKV	24139365	●
200	170	198,5	33,5	32,5	15	7,5	BI-N B4B246	EK	24266531	●
200	170	198,5	33,5	32,5	15	7,5	BI-F B4K674	EKV	24139359	●
200	170	198,5	38,7	37,5	15	7,5	BI-N B4B246	EK	24079621	○
220	190	218,5	33,5	32,5	15	7,5	BI-N B4B246	EK	24085858	●
220	190	218,5	38,7	37,5	15	7,5	BI-N B4B246	EK	24199656	●
225	195	223,5	33,5	32,5	15	7,5	BI-N B4B246	EK	24266533	●
225	195	223,5	33,5	32,5	15	7,5	BI-F B4K674	EKV	24148053	○
225	195	223,5	38,7	37,5	15	7,5	BI-N B4B246	EK	24075180	○
240	210	238,5	33,5	32,5	15	7,5	BI-N B4B246	EK	24121200	○
240	210	238,5	38,7	37,5	15	7,5	BI-N B4B246	EK	24102695	○
250	220	248,5	25	24	15	7,5	BI-N B4B246	EK	24248388	○
250	220	248,5	33,5	32,5	15	7,5	BI-N B4B246	EK	24149616	●
250	220	248,5	33,5	32,5	15	7,5	BI-F B4K674	EKV	24139363	●
250	220	248,5	38,7	37,5	15	7,5	BI-N B4B246	EK	24220077	●
260	230	258,5	33,5	32,5	15	7,5	BI-N B4B246	EK	24266547	○
260	230	258,5	38,7	37,5	15	7,5	BI-N B4B246	EK	24266548	○
280	250	278,5	33,5	32,5	15	7,5	BI-N B4B246	EK	24266549	●
280	250	278,5	33,5	30	15	7,5	BI-F B4K674	EKV	24182616	●
280	250	278,5	38,7	37,5	15	7,5	BI-N B4B246	EK	24063522	●
300	270	298,5	33,5	32,5	15	7,5	BI-N B4B246	EK	24266550	●
300	270	298,5	33,5	32,5	15	7,5	BI-F B4K674	EKV	24148055	○
300	270	298,5	38,7	37,5	15	7,5	BI-N B4B246	EK	24063954	●
310	280	308,5	33,5	32,5	15	7,5	BI-N B4B246	EK	24266551	○
310	280	308,5	38,7	37,5	15	7,5	BI-N B4B246	EK	24106772	○
320	280	318	41,5	40	20	7,5	BI-N B4B246	EK	24068630	●
320	280	318	51,8	50	20	7,5	BI-N B4B246	EK	24072341	○
320	290	318,5	33,5	32,5	15	7,5	BI-N B4B246	EK	24266552	●
320	290	318,5	38,7	37,5	15	7,5	BI-N B4B246	EK	24220080	○
340	300	338	41,5	40	20	10	BI-N B4B246	EK	24089867	○
340	300	338	51,8	50	20	10	BI-N B4B246	EK	24067213	○
340	310	338,5	33,5	32,5	15	7,5	BI-N B4B246	EK	24266553	○
340	310	338,5	38,7	37,5	15	7,5	BI-N B4B246	EK	24067366	○

● Available from stock ○ On request: Tool is available, delivery at short notice

D	d	d ₁	L	H	Profile	C	Material	Type	Article No.	
350	310	348	41,5	40	20	10	Bl-N B4B246	EK	24266554	○
350	310	348	51,8	50	20	10	Bl-N B4B246	EK	24266555	○
360	320	358	41,5	40	20	10	Bl-N B4B246	EK	24073186	●
360	320	358	51,8	50	20	10	Bl-N B4B246	EK	24068309	○
380	340	378	41,5	40	20	10	Bl-N B4B246	EK	24063739	●
380	340	378	51,8	50	20	10	Bl-N B4B246	EK	24063609	●
390	350	388	41,5	40	20	10	Bl-N B4B246	EK	24096917	○
390	350	388	51,8	50	20	10	Bl-N B4B246	EK	24091905	○
400	360	398	41,5	40	20	10	Bl-N B4B246	EK	24061431	●
400	360	398	51,8	50	20	10	Bl-N B4B246	EK	24062353	○
410	370	407,5	41,5	40	20	10	Bl-N B4B246	EK	24076734	○
410	370	407,5	51,8	50	20	10	Bl-N B4B246	EK	24134434	○
420	380	417,5	41,5	40	20	10	Bl-N B4B246	EK	24078766	○
420	380	417,5	51,8	50	20	10	Bl-N B4B246	EK	24179322	○
440	400	437,5	41,5	40	20	10	Bl-N B4B210	EK	24088254	○
440	400	437,5	51,8	50	20	10	Bl-N B4B210	EK	24220081	○
450	410	447,5	41,5	40	20	10	Bl-N B4B210	EK	24108468	●
450	410	447,5	51,8	50	20	10	Bl-N B4B210	EK	24220082	○
460	420	457,5	41,5	40	20	10	Bl-N B4B210	EK	24113757	○
460	420	457,5	51,8	50	20	10	Bl-N B4B210	EK	24080149	○
480	440	477,5	41,5	40	20	10	Bl-N B4B210	EK	24073599	○
480	440	477,5	51,8	50	20	10	Bl-N B4B210	EK	24083862	○
490	450	487,5	41,5	40	20	10	Bl-N B4B210	EK	24082627	○
490	450	487,5	51,8	50	20	10	Bl-N B4B210	EK	24083228	○
500	460	497,5	41,5	40	20	10	Bl-N B4B210	EK	24220083	○
500	460	497,5	51,8	50	20	10	Bl-N B4B210	EK	24220084	○
510	470	507,5	41,5	40	20	10	Bl-N B4B210	EK	24091197	○
510	470	507,5	51,8	50	20	10	Bl-N B4B210	EK	24097617	○
520	480	517,5	41,5	40	20	10	Bl-N B4B210	EK	24087936	○
520	480	517,5	51,8	50	20	10	Bl-N B4B210	EK	24069860	○
540	500	537,5	41,5	40	20	10	Bl-N B4B210	EK	24085075	○
540	500	537,5	64,5	50	20	10	Bl-N B4B210	EK	24082317	○
550	510	547,5	41,5	40	20	10	Bl-N B4B210	EK	24343760	○
550	510	547,5	51,8	50	20	10	Bl-N B4B210	EK	24343761	○
560	510	557,5	51,8	50	25	12,5	Bl-N B4B210	EK	24083477	○
560	510	557,5	64,5	62,5	25	12,5	Bl-N B4B210	EK	24082090	○
570	530	567,5	41,5	40	20	10	Bl-N B4B210	EK	24287015	○
570	530	567,5	51,8	50	20	10	Bl-N B4B210	EK	24214286	○
580	530	577,5	51,8	50	25	12,5	Bl-N B4B210	EK	24113726	○
580	530	577,5	64,5	62,5	25	12,5	Bl-N B4B210	EK	24091357	○
580	540	577,5	41,5	40	20	10	Bl-N B4B210	EK	24220085	○
580	540	577,5	51,8	50	20	10	Bl-N B4B210	EK	24220086	○
590	550	587,5	51,8	50	20	10	Bl-N B4B210	EK	24087597	○
600	560	597,5	41,5	40	20	10	Bl-N B4B210	EK	24067724	○
600	560	597,5	51,8	50	20	10	Bl-N B4B210	EK	24077886	○
610	560	607,5	51,8	50	25	12,5	Bl-N B4B210	EK	24220087	○
610	560	607,5	64,5	62,5	25	12,5	Bl-N B4B210	EK	24099113	○
620	580	617,5	41,5	40	20	10	Bl-N B4B210	EK	24090558	○
620	580	617,5	51,8	50	20	10	Bl-N B4B210	EK	24170779	○
630	580	627,5	51,8	50	25	12,5	Bl-N B4B210	EK	24141229	○

● Available from stock ○ On request: Tool is available, delivery at short notice



D	d	d ₁	L	H	Profile	C	Material	Type	Article No.	
630	580	627,5	64,5	62,5	25	12,5	Bl-N B4B210	EK	24094418	○
630	590	627,5	41,5	40	20	10	Bl-N B4B210	EK	24068741	○
630	590	627,5	51,8	50	20	10	Bl-N B4B210	EK	24083633	○
640	600	637,5	51,8	50	20	10	Bl-N B4B210	EK	24247385	○
650	600	647,5	51,8	50	25	12,5	Bl-N B4B210	EK	24073080	○
650	600	647,5	64,5	62,5	25	12,5	Bl-N B4B210	EK	24082118	○
670	630	667,5	41,5	40	20	10	Bl-N B4B210	EK	24074848	○
670	630	667,5	51,8	50	20	10	Bl-N B4B210	EK	24074849	○
720	670	717,5	51,8	50	25	12,5	Bl-N B4B210	EK	24181627	○
720	670	717,5	64,5	62,5	25	12,5	Bl-N B4B210	EK	24077483	○
730	690	727,5	51,8	50	20	10	Bl-N B4B210	EK	24292823	○
740	700	737,5	41,5	40	20	10	Bl-N B4B210	EK	24142521	○
740	700	737,5	51,8	50	20	10	Bl-N B4B210	EK	24137458	○
750	710	747,5	41,5	40	20	10	Bl-N B4B210	EK	24105848	○
750	710	747,5	51,8	50	20	10	Bl-N B4B210	EK	24080694	○
760	710	757,5	64,5	62,5	25	12,5	Bl-N B4B210	EK	24339524	○
790	750	787,5	41,5	40	20	10	Bl-N B4B210	EK	24220088	○
790	750	787,5	51,8	50	20	10	Bl-N B4B210	EK	24149095	○
800	750	797,5	51,8	50	25	12,5	Bl-N B4B210	EK	24068701	○
800	750	797,5	64,5	62,5	25	12,5	Bl-N B4B210	EK	24068702	○
840	800	837,5	41,5	40	20	10	Bl-N B4B210	EK	24220089	○
840	800	837,5	51,8	50	20	10	Bl-N B4B210	EK	24220090	○
850	800	847,5	51,8	50	25	12,5	Bl-N B4B210	EK	24101686	○
850	800	847,5	64,5	62,5	25	12,5	Bl-N B4B210	EK	24085823	○
860	810	857,5	64,5	62,5	25	12,5	Bl-N B4B210	EK	24249193	○
870	820	867,5	51,8	50	25	12,5	Bl-N B4B210	EK	24097782	○
870	820	867,5	64,5	62,5	25	12,5	Bl-N B4B210	EK	24137668	○
890	850	887,5	41,5	40	20	10	Bl-N B4B210	EK	24143588	○
890	850	887,5	51,8	50	20	10	Bl-N B4B210	EK	24218572	○
900	850	897,5	51,8	50	25	12,5	Bl-N B4B210	EK	24181084	○
900	850	897,5	64,5	62,5	25	12,5	Bl-N B4B210	EK	24128505	○
950	900	947,5	64,5	62,5	25	12,5	Bl-N B4B210	EK	24081584	○
1000	950	997,5	51,8	50	25	12,5	Bl-N B4B210	EK	24068742	○
1000	950	997,5	64,5	62,5	25	12,5	Bl-N B4B210	EK	24068704	○
1050	1000	1047,5	51,8	50	25	12,5	Bl-N B4B210	EK	24311917	○
1050	1000	1047,5	64,5	62,5	25	12,5	Bl-N B4B210	EK	24069614	○
1100	1050	1097,5	64,5	62,5	25	12,5	Bl-N B4B210	EK	24133469	○

● Available from stock ○ On request: Tool is available, delivery at short notice

Merkel Cup Packing T without Spring

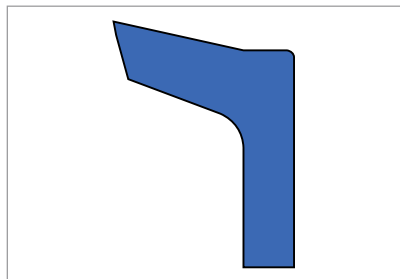


Fig. 1 Merkel Cup Packing T without Spring

Product description

Lip seal. Clamping flange for axial fixing in the housing.

Product advantages

Single-acting piston seal for secondary applications and for spare parts requirement.

Application

Standard cylinders.

Material

Sealing component

Material	Code	Hardness
Nitrile rubber NBR	88 NBR 101	88 Shore A

Operating conditions

Material	88 NBR 101
	Temperature range in °C
Hydraulic oils HL, HLP	-30 ... +100
HFA fluids	+5 ... +60
HFB fluids	+5 ... +60
HFC fluids	-30 ... +60
HFD fluids	-
Water	+5 ... +90
HETG (rapeseed oil)	-30 ... +80
HEES (synthetic esters)	-
HEPG (glycol)	-30 ... +60
Mineral greases	-30 ... +100
Pressure p in MPa	1
Running speed v in m/s	0,5

Surface quality

Surface roughness	R _a	R _{max}
Sliding surface	0,05 ... 0,3 μm	≤2,5 μm
Groove base	≤1,6 μm	≤6,3 μm
Groove flanks	≤3,0 μm	≤15,0 μm

Percentage contact area M_v >50% to max. 90% at cutting depth c = Rz/2 and reference line C ref = 0%.

Design notes

Please observe our general design notes in → Technical Manual.

Gap dimension

The largest gap dimension occurring on the non-pressurised side of the seal in operation is of vital importance for the function of the seal. $x_2 \leq 0,5$. → Technical Manual.

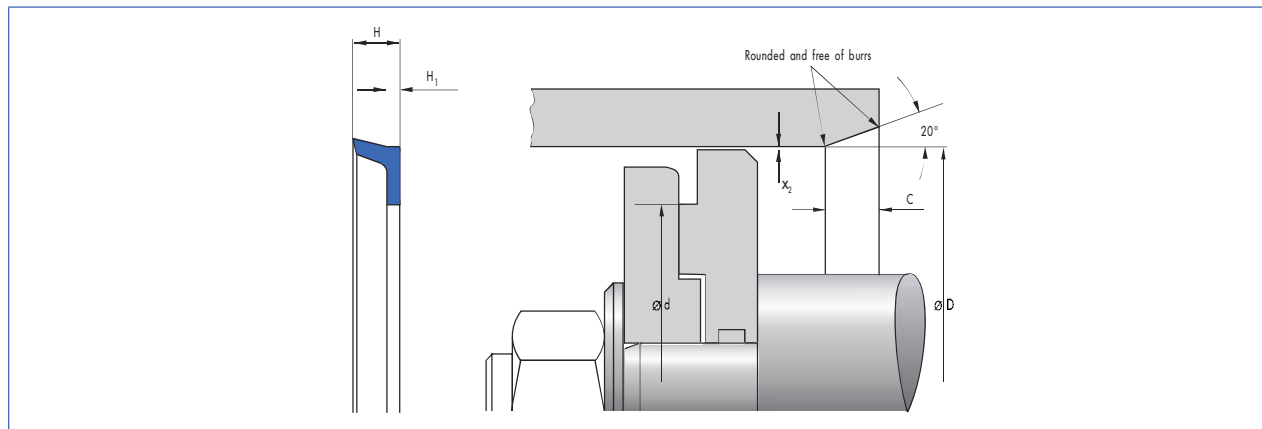
Tolerance recommendation

Nominal \varnothing D	D	d
≤ 550	H11	h10

Fitting & installation

The axial compression of the flange should be max. 10% of its thickness. Torque limiting is to be used. The metal clamping parts must not apply any force to the transition zone from clamping flange to sealing lip. To improve the fixing of the cup packing and sealing effect on the flat clamping side, the turning of one or two sealing grooves is recommended.

Article list

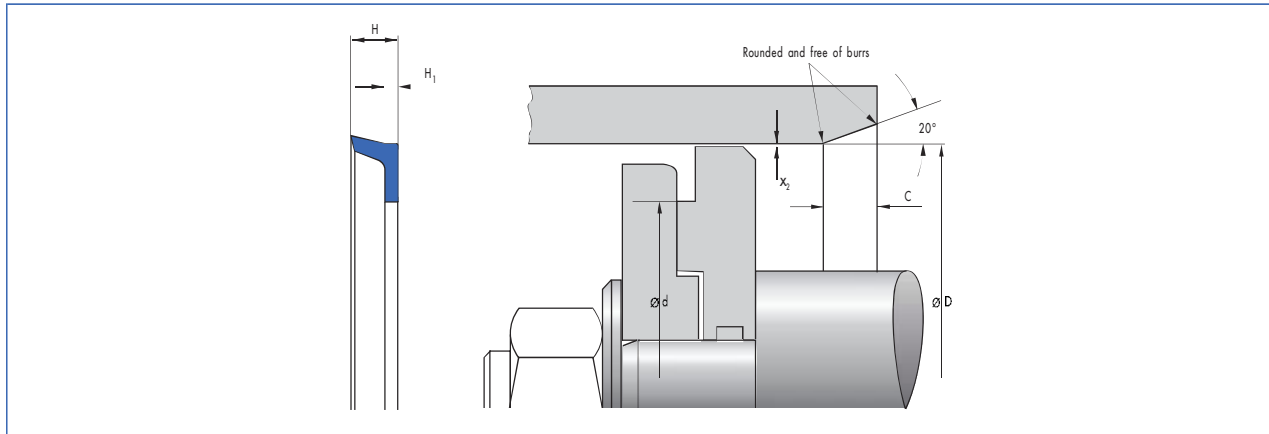


D	d	H	H ₁	C	Code	Material	Article No.	
10	4	3	1	3	T10.0-3	88 NBR M00101	14689	○
11	4	8	1,5	3	T11.0-1	88 NBR M00101	14701	○
12	0	8	4	3	T12.0-15	88 NBR M00101	14715	●
12	3	6	1,5	3	T12.0-11	88 NBR M00101	14712	○
12	4	6	2	3	T12.0-5	88 NBR M00101	14708	○
13	0	6	2	3	T13.0-3	88 NBR M00101	14721	○
14	0	8	4	3	T14.0-3	88 NBR M00101	14727	○
14	5	8	2	3	T14.0-2	88 NBR M00101	13336	○
14	6	5	1,5	3	T14.0-4	88 NBR M00101	14728	●
15	6	5	1,5	3	T15.0-3	88 NBR M00101	14732	●
15	6	7	3	3	T15.0-1	88 NBR M00101	14730	○
16	0	6	2	3	T16.0-3	88 NBR M00101	14748	○
16	7	6,5	2	3	T16.0-1	88 NBR M00101	14746	●
17	6,5	5,5	1,5	3	T17.0-2	88 NBR M00101	14753	○
17	8	7	1,5	3	T17.0-8	88 NBR M00101	14759	●
18	5	5	2	3	T18.0-2	88 NBR M00101	14762	●
18	5	7	3	3	T18.0-1	88 NBR M00101	14761	●
19	0	6	2	3	T19.0-1	88 NBR M00101	14773	○
20	8	5	1,5	3	T20.0-8	88 NBR M00101	14780	○
20	8	6,5	3	3	T20.0-4	88 NBR M00101	14779	●
20	10	5	2	3	T20.0-3	88 NBR M00101	14778	●
20	10	8	2,5	3	T20.0-10	88 NBR M00101	14781	●
22	6	7	2	3	T22.0-1	88 NBR M00101	14794	●
22	9	7,5	2,5	3	T22.0-2	88 NBR M00101	14795	●
24	12,8	7	2	3	T24.0-4	88 NBR M00101	14811	○
25	0	7	3	3	T25.0-8	88 NBR M00101	14821	●
25	8	6	1,5	3	T25.0-9	88 NBR M00101	14822	●
25	9	8	2,5	3	T25.0-5	88 NBR M00101	14819	●
25	12	7	2,5	3	T25.0-10	88 NBR M00101	14823	●
25	15	5	1,5	3	T25.0-1	88 NBR M00101	14817	●
25	16,2	6	2	3	T25.0-2	88 NBR M00101	14818	○
25,4	0	5	1,5	3	T25.4-14	88 NBR M00101	14843	●
26	0	7	2,5	3	T26.0-2	88 NBR M00101	14848	●
26	8,2	8	2,2	3	T26.0-1	88 NBR M00101	14847	●
27	11	8	3	3	T27.0-5	88 NBR M00101	14860	○

● Available from stock ○ On request: Tool is available, delivery at short notice

D	d	H	H ₁	C	Code	Material	Article No.	
28	16	6	1,5	3	T28.0-1	88 NBR M00101	14865	●
28	16	8	2,5	3	T28.0-5	88 NBR M00101	14868	○
30	8	8	2,5	3	T30.0-11	88 NBR M00101	14885	○
30	8	17	3	3	T30.0-8	88 NBR M00101	14883	○
30	10	6	2	3	T30.0-9	88 NBR M00101	14884	○
30	10	10	2,5	3	T30.0-18	88 NBR M00101	14890	●
30	14	6	2	3	T30.0-13	88 NBR M00101	14887	●
31	8	8	2	3	T31.0-5	88 NBR M00101	14901	○
32	6,2	11,5	1,8	3	T32.0-15	88 NBR M00101	14917	●
32	16	8	2,5	3	T32.0-2	88 NBR M00101	14907	●
32	18	7	2	3	T32.0-16	88 NBR M00101	14918	●
34	18	10	3	3	T34.0-2	88 NBR M00101	14928	○
35	0	9	2,5	3	T35.0-8	88 NBR M00101	14942	●
35	10	8	2,5	3	T35.0-3	88 NBR M00101	14937	○
35	10	12	3	3	T35.0-9	88 NBR M00101	14943	●
35	14	10	4	3	T35.0-14	88 NBR M00101	14947	○
35	17	6	1,5	3	T35.0-10	88 NBR M00101	14944	○
35	21	8	2,5	3	T35.0-7	88 NBR M00101	14941	●
36	18	6	2	3	T36.0-1	88 NBR M00101	14954	○
37	26	7	1,5	3	T37.0-1	88 NBR M00101	14966	○
38	12	8	2,5	3	T38.0-1	88 NBR M00101	14969	○
38	16	8	2,5	3	T38.0-3	88 NBR M00101	14970	●
38,1	0	9,4	3	3	T38.1-6	88 NBR M00101	14984	●
40	0	6	2	3	T40.0-10	88 NBR M00101	14995	●
40	13	13	4	3	T40.0-15	88 NBR M00101	14999	●
40	16	10	2	3	T40.0-16	88 NBR M00101	15000	●
40	18	6	2	3	T40.0-8	88 NBR M00101	14994	●
40	21	9	3	3	T40.0-14	88 NBR M00101	14998	●
40	24	8	2	3	T40.0-22	88 NBR M00101	15004	○
41	18	18	5	3	T41.0-2	88 NBR M00101	15018	○
42	16,2	6	2	3	T42.0-1	88 NBR M00101	15021	●
42	25	13	2,5	3	T42.0-3	88 NBR M00101	15022	●
43	15	10	3	3	T43.0-2	88 NBR M00101	15027	●
45	20	10	3	3	T45.0-11	88 NBR M00101	15045	●
45	22	14	4	3	T45.0-1	88 NBR M00101	15038	○
45	26,5	18	3	3	T45.0-10	88 NBR M00101	15044	○
45	27	10	2,5	3	T45.0-13	88 NBR M00101	15047	●
45	30	6	1,5	3	T45.0-14	88 NBR M00101	15048	○
46	0	10	2	3	T46.0-5	88 NBR M00101	15061	○
46	11	9	1,5	3	T46.0-3	88 NBR M00101	15059	●
46	27	11	3,5	3	T46.0-4	88 NBR M00101	15060	○
48	30	9	2,5	3	T48.0-2	88 NBR M00101	15076	●
50	0	15	4,5	3	T50.0-25	88 NBR M00101	15101	●
50	6	7	2	3	T50.0-21	88 NBR M00101	15097	●
50	8	12	3	3	T50.0-9	88 NBR M00101	15088	○
50	12	10	2,5	3	T50.0-14	88 NBR M00101	15092	○
50	16	19	4	3	T50.0-10	88 NBR M00101	15089	○
50	18	10	2	3	T50.0-20	88 NBR M00101	15096	●
50	25	12	3	3	T50.0-23	88 NBR M00101	15099	●
50	28	7	2	3	T50.0-18	88 NBR M00101	15094	○

● Available from stock ○ On request: Tool is available, delivery at short notice

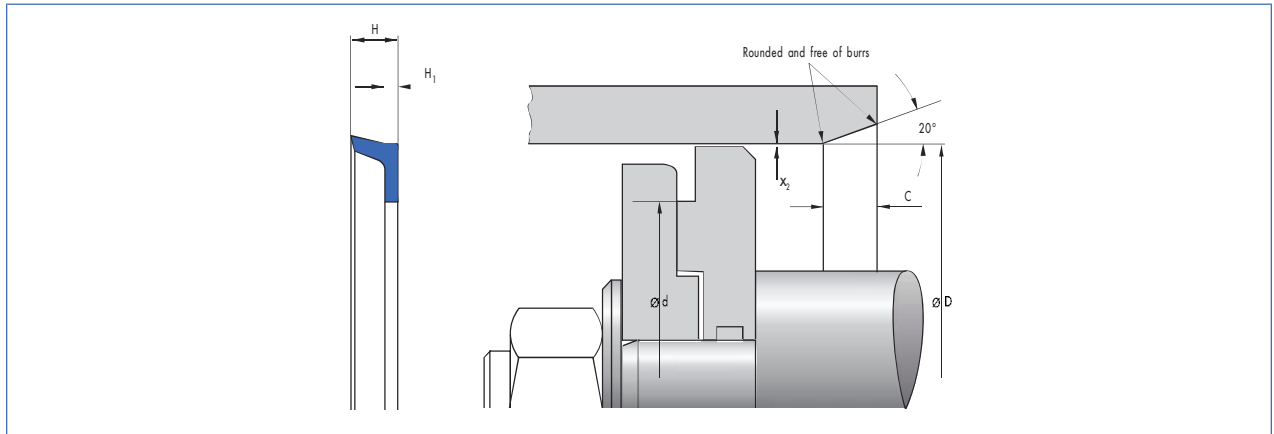


D	d	H	H ₁	C	Code	Material	Article No.	
50	28	12	3	3	T50.0-35	88 NBR M00101	15105	○
50	32	7	2	3	T50.0-2	88 NBR M00101	15083	●
50	36	7	2	3	T50.0-11	88 NBR M00101	15090	○
50	38	6	1,5	3	T50.0-22	88 NBR M00101	15098	○
52	20	8	2,5	3	T52.0-2	88 NBR M00101	15122	○
54	16	16	4	3	T54.0-1	88 NBR M00101	15125	○
55	12	20	5	3	T55.0-3	88 NBR M00101	15130	○
55	13	15	4	3	T55.0-12	88 NBR M00101	15139	●
55	16	10	3	3	T55.0-1	88 NBR M00101	15129	●
55	18	10	2	3	T55.0-10	88 NBR M00101	15137	●
55	36	10	3,2	3	T55.0-21	88 NBR M00101	15146	●
58	32	14	4	3	T58.0-6	88 NBR M00101	15161	○
59	17	20	4	3	T59.0-1	88 NBR M00101	15163	○
60	0	16	4	3	T60.0-28	88 NBR M00101	15183	●
60	16	11	3	3	T60.0-11	88 NBR M00101	15171	○
60	25	20	3	3	T60.0-5	88 NBR M00101	15166	○
60	30	13	3	3	T60.0-31	88 NBR M00101	15185	○
60	40,5	8	2,5	3	T60.0-1	88 NBR M00101	15164	○
60	42	8	2,5	3	T60.0-20	88 NBR M00101	13392	○
60	49,5	12	3	3	T60.0-23	88 NBR M00101	15180	○
62	40	12	3	3	T62.0-6	88 NBR M00101	15197	○
65	0	18	4	3,5	T65.0-23	88 NBR M00101	15223	○
65	16	20	3	3,5	T65.0-3	88 NBR M00101	15207	○
65	25	12	3,5	3,5	T65.0-18	88 NBR M00101	15219	○
65	35,2	13	4	3,5	T65.0-9	88 NBR M00101	15212	○
66	16	16	3	3,5	T66.0-2	88 NBR M00101	15229	○
68	35	10	3	3,5	T68.0-3	88 NBR M00101	15237	○
70	12	13	3	3,5	T70.0-16	88 NBR M00101	15248	○
70	20	13	3,5	3,5	T70.0-22	88 NBR M00101	15252	○
70	20	15	3	3,5	T70.0-11	88 NBR M00101	15243	○
70	22	9	2	3,5	T70.0-17	88 NBR M00101	15249	●
70	35	10	3	3,5	T70.0-23	88 NBR M00101	15253	○
70	40	13	2,5	3,5	T70.0-13	88 NBR M00101	15245	●
70	44	12	3,5	3,5	T70.0-8	88 NBR M00101	15241	○
70	50	8	2,5	3,5	T70.0-12	88 NBR M00101	15244	○
75	25	15	3	3,5	T75.0-2	88 NBR M00101	15276	●
75	53	15	4	3,5	T75.0-8	88 NBR M00101	15282	○

● Available from stock ○ On request: Tool is available, delivery at short notice

D	d	H	H ₁	C	Code	Material	Article No.	
76	20	16	3	4	T76.0-1	88 NBR M00101	15287	●
78	40	15	4	4	T78.0-1	88 NBR M00101	15291	○
80	0	20	4	4	T80.0-33	88 NBR M00101	15318	●
80	42	13	3,5	4	T80.0-21	88 NBR M00101	15310	○
80	50	10	2,5	4	T80.0-17	88 NBR M00101	15307	●
80	52	8,5	3	4	T80.0-3	88 NBR M00101	15295	○
82	42	15,8	4,5	4	T82.0-1	88 NBR M00101	15812	○
85	45	14	2,5	4	T85.0-7	88 NBR M00101	15336	○
90	35,1	18	4	4	T90.0-2	88 NBR M00101	15345	○
90	62	18	4	4	T90.0-17	88 NBR M00101	15358	●
90	65	12	3	4	T90.0-12	88 NBR M00101	15354	●
95	38	15	3,5	4	T95.0-6	88 NBR M00101	15377	○
100	0	22	4	4	T100.0-23	88 NBR M00101	15402	○
100	28	18	4	4	T100.0-4	88 NBR M00101	15383	○
100	42	18	4	4	T100.0-8	88 NBR M00101	15387	●
100	60	15	3	4	T100.0-19	88 NBR M00101	15398	●
100	64	12	3	4	T100.0-35	88 NBR M00101	15413	○
100	65	10	3	4	T100.0-9	88 NBR M00101	15388	○
100	68	15	4	4	T100.0-28	88 NBR M00101	15409	○
100	78	12	3	4	T100.0-10	88 NBR M00101	15389	○
102	21	21	3	4	T102.0-1	88 NBR M00101	15422	●
105	80	12	3	4	T105.0-1	88 NBR M00101	15424	●
110	70	15	3	4	T110.0-1	88 NBR M00101	15433	●
115	76	11	3	4	T115.0-2	88 NBR M00101	15452	●
120	30	14	4	4	T120.0-10	88 NBR M00101	15465	○
120	30	20	3	4	T120.0-7	88 NBR M00101	15463	○
120	76	20	3	4	T120.0-1	88 NBR M00101	15458	○
120	99	14	3	4	T120.0-5	88 NBR M00101	15461	●
125	88	18	3,5	5,5	T125.0-12	88 NBR M00101	15483	●
130	43	23	5	5,5	T130.0-3	88 NBR M00101	15503	○
130	105	12	3	5,5	T130.0-4	88 NBR M00101	15504	○
140	30	20	4	5,5	T140.0-11	88 NBR M00101	15527	●
140	50	15	3	5,5	T140.0-8	88 NBR M00101	15523	○
140	92	28	3	5,5	T140.0-3	88 NBR M00101	15518	○
140	120	16	3	5,5	T140.0-10	88 NBR M00101	15526	○
145	100	15	3	5,5	T145.0-1	88 NBR M00101	15534	●
150	35	25	4	5,5	T150.0-3	88 NBR M00101	13457	○
150	120,5	16	4	5,5	T150.0-5	88 NBR M00101	15542	○
155	80	24	5	5,5	T155.0-2	88 NBR M00101	15554	○
160	80	24	5	5,5	T160.0-1	88 NBR M00101	15557	○
160	110	15	3,5	5,5	T160.0-5	88 NBR M00101	15561	○
175	115	18	4	5,5	T175.0-2	88 NBR M00101	15576	○
175	140,5	17	4	5,5	T175.0-3	88 NBR M00101	15577	○
180	130	15	4	5,5	T180.0-1	88 NBR M00101	15582	○
180	140	20	5	5,5	T180.0-4	88 NBR M00101	15585	○
190	145	21,5	6,5	5,5	T190.0-4	88 NBR M00101	15600	○
200	102	30	4	5,5	T200.0-4	88 NBR M00101	15610	○
200	130	24	5	5,5	T200.0-5	88 NBR M00101	15611	○
200	150	20	5	5,5	T200.0-2	88 NBR M00101	15608	○
200	162	17	3	5,5	T200.0-1	88 NBR M00101	15607	●

● Available from stock ○ On request: Tool is available, delivery at short notice



D	d	H	H ₁	C	Code	Material	Article No.	
240	170	20,5	4,5	5,5	T240.0-1	88 NBR M00101	15642	<input type="radio"/>
250	210	20	5	5,5	T250.0-1	88 NBR M00101	15646	<input type="radio"/>
315	270	25	5	8	T315.0-1	88 NBR M00101	15701	<input type="radio"/>
320	240	25	5	8	T320.0-2	88 NBR M00101	15703	<input type="radio"/>
350	300	25	5	8	T350.0-1	88 NBR M00101	15720	<input type="radio"/>
450	380	20	8	8	T450.0-1	88 NBR M00101	15753	<input type="radio"/>
450	410	24	4	8	T450.0-2	88 NBR M00101	15754	<input type="radio"/>
475	412	30	5	8	T475.0-1	88 NBR M00101	15759	<input type="radio"/>
500	431	24	5	8	T500.0-1	88 NBR M00101	15765	<input type="radio"/>
550	510	27	4	8	T550.0-1	88 NBR M00101	15776	<input type="radio"/>

● Available from stock ○ On request: Tool is available, delivery at short notice

Merkel Cup Packing T with Spring

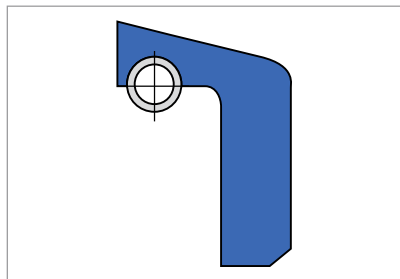


Fig. 1 Merkel Cup Packing T with Spring

Product description

Spring-loaded lip seal.
Clamping flange for axial fixing in the housing.

Product advantages

Single-acting piston seal for secondary applications and for spare parts requirement.

Application

Standard cylinders.

Material

Sealing component

Material	Code	Hardness
Nitrile rubber NBR	88 NBR 101	88 Shore A

Operating conditions

Material	88 NBR 101
	Temperature range in °C
Hydraulic oils HL, HLP	-30 ... +100
HFA fluids	+5 ... +60
HFB fluids	+5 ... +60
HFC fluids	-30 ... +60
HFD fluids	-
Water	+5 ... +90
HETG (rapeseed oil)	-30 ... +80
HEES (synthetic esters)	-
HEPG (glycol)	-30 ... +60
Mineral greases	-30 ... +100
Pressure p in MPa	1
Running speed v in m/s	0,5

Surface quality

Surface roughness	R _a	R _{max}
Sliding surface	0,05 ... 0,3 μm	≤2,5 μm
Groove base	≤1,6 μm	≤6,3 μm
Groove flanks	≤3,0 μm	≤15,0 μm

Percentage contact area M_v >50% to max. 90% at cutting depth c = Rz/2 and reference line C ref = 0%.

Design notes

Please observe our general design notes in → Technical Manual.

Gap dimension

The largest gap dimension occurring on the non-pressurised side of the seal in operation is of vital importance for the function of the seal. $x_2 \leq 0,5$. → Technical Manual.

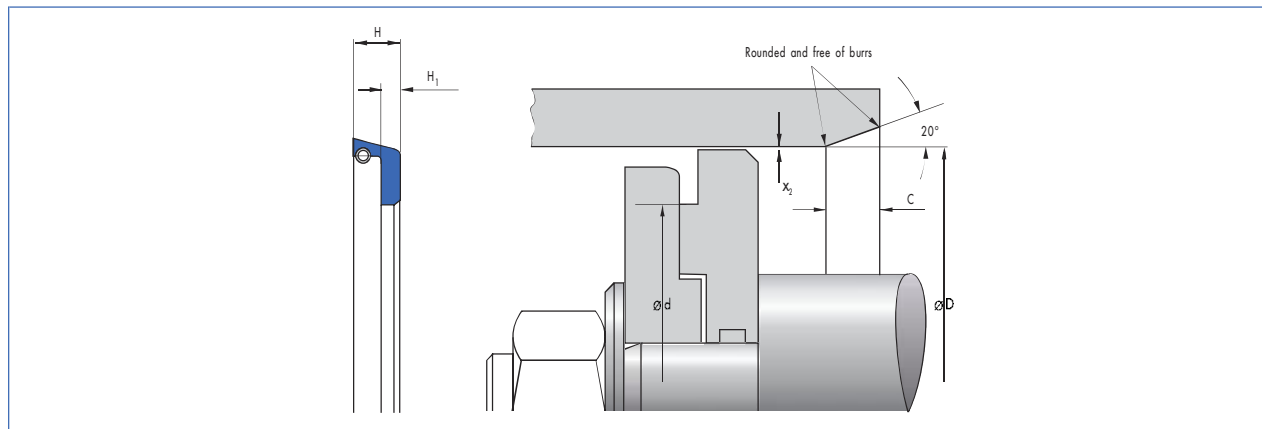
Tolerance recommendation

Nominal \varnothing D	D	d
≤ 550	H11	h10

Fitting & installation

The axial compression of the flange should be max. 10% of its thickness. Torque limiting is to be used. The metal clamping parts must not apply any force to the transition zone from clamping flange to sealing lip. To improve the fixing of the cup packing and sealing effect on the flat clamping side, the turning of one or two sealing grooves is recommended.

Article list



D	d	H	H ₁	C	Code	Material	Article No.	
20,4	8	2,5	0	3	T20.4-1	88 NBR M00101	14787	●
28	10	10	2	3	T28.0-3	88 NBR M00101	14866	○
30	10	10	3	3	T30.0-14	88 NBR M00101	14888	●
32	12	10	3	3	T32.0-8	88 NBR M00101	14911	○
35	10	10	3	3	T35.0-13	88 NBR M00101	14946	○
35	17	6	1,5	3	T35.0-34	88 NBR M00101	8387	○
36	12	10	3	3	T36.0-2	88 NBR M00101	14955	●
40	0	10	2	3	T40.0-5	88 NBR M00101	14992	○
40	18	15	3	3	T40.0-20	88 NBR M00101	15003	●
45	25	10	2,5	3	T45.0-4	88 NBR M00101	15040	●
50	0	12	3	3	T50.0-30	88 NBR M00101	15103	●
50	10,5	18	3,5	3	T50.0-5	88 NBR M00101	15086	○
50	25,4	12	2,5	3	T50.0-19	88 NBR M00101	15095	●
60	35	12	3	3	T60.0-8	88 NBR M00101	15168	●
60	35	12	3,5	3	T60.0-26	88 NBR M00101	15182	○
65	42	9	2,5	3,5	T65.0-6	88 NBR M00101	15210	●
70	20	13	3,5	3,5	T70.0-28	88 NBR M00101	15257	●
70	24	15	3	3,5	T70.0-15	88 NBR M00101	15247	●
70	40	12	3	3,5	T70.0-25	88 NBR M00101	15254	●
72	26	13	3	3,5	T72.0-1	88 NBR M00101	15269	●
75	50	10	2,5	3,5	T75.0-3	88 NBR M00101	15277	●
80	20	10	2	4	T80.0-25	88 NBR M00101	15312	○
80	42	11	2,5	4	T80.0-1	88 NBR M00101	15294	○
80	55	12	3	4	T80.0-5	88 NBR M00101	15296	○
95	25	16	3	4	T95.0-3	88 NBR M00101	15374	○
100	15	10	3	4	T100.0-7	88 NBR M00101	15386	○
100	60	15	3	4	T100.0-18	88 NBR M00101	15397	●
100	75	10	2,5	4	T100.0-1	88 NBR M00101	15381	●
103	15	15	3	4	T103.0-1	88 NBR M00101	15423	○
110	46	16	3	4	T110.0-3	88 NBR M00101	15435	●
115	76	20	3	4	T115.0-1	88 NBR M00101	15451	○
120	85	15	3,5	4	T120.0-2	88 NBR M00101	15459	○
125	37	20	4	5,5	T125.0-2	88 NBR M00101	15475	○
125	100	13	2,5	5,5	T125.0-13	88 NBR M00101	15484	○
130	80	10	2,5	5,5	T130.0-1	88 NBR M00101	15501	○

● Available from stock ○ On request: Tool is available, delivery at short notice

D	d	H	H ₁	C	Code	Material	Article No.	
140	73	15	3,5	5,5	T140.0-2	88 NBR M00101	15517	○
150	110	15	3	5,5	T150.0-6	88 NBR M00101	15543	●
165	60,5	20	4	5,5	T165.0-1	88 NBR M00101	15569	○
170	26	20	4	5,5	T170.0-1	88 NBR M00101	15573	●
200	160	15	3,5	5,5	T200.0-7	88 NBR M00101	15613	●
220	170	20	4	5,5	T220.0-1	88 NBR M00101	15632	○
225	185	20	5	5,5	T225.0-3	88 NBR M00101	15637	○
270	180	22	5	6,5	T270.0-1	88 NBR M00101	15672	○
400	354	25	4	8	T400.0-1	88 NBR M00101	15736	○

● Available from stock ○ On request: Tool is available, delivery at short notice

Merkel Complete Piston TDUOH

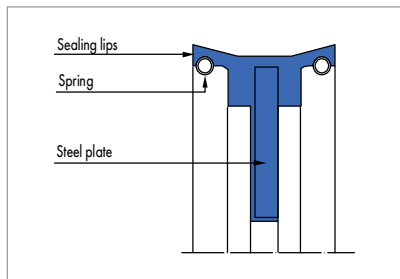


Fig. 1 Merkel Complete Piston TDUOH

Product description

Merkel Complete Piston TDUOH with steel base plate and vulcanised, spring-loaded sealing lips.

Product advantages

Merkel complete piston for secondary hydraulic applications, preferably for spare parts requirement. Can only absorb low lateral forces.

Application

Standard cylinders, cranes.

Material

Sealing lips

Material	Code	Hardness
Nitrile rubber NBR	90 NBR 109	90 Shore A

Springs

Material
Spring steel wire DIN 17223

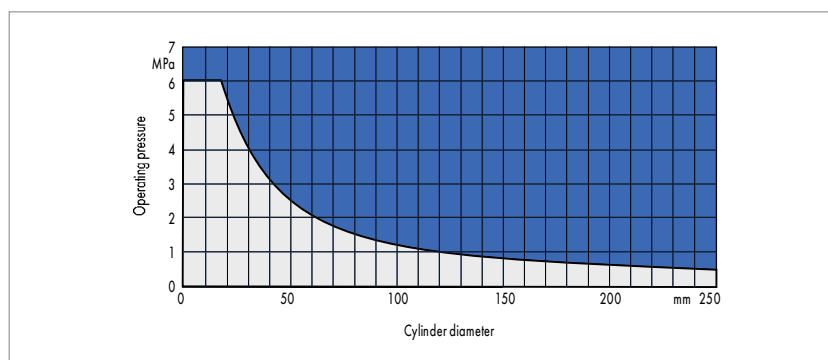
Base plate

Material
Mild steel

Operating conditions

Material	NBR 60 Shore A
	Temperature range in °C
Hydraulic oils HL, HLP	-30 ... +100
HFA fluids	+5 ... +60
HFB fluids	+5 ... +60
HFC fluids	-30 ... +60
HFD fluids	-
Water	+5 ... +90
HETG (rapeseed oil)	-30 ... +80
HEES (synthetic esters)	-
HEPG (glycol)	-30 ... +60
Mineral greases	-30 ... +100
Pressure p in MPa	→ Diagram
Running speed v in m/s	0,5

Permissible operating pressure



Surface quality

Surface roughness	R_a	R_{max}
Cylinder bore	0,05 ... 0,3 μm	$\leq 2,5 \mu\text{m}$

Percentage contact area $M_v > 50\%$ to max. 90% at cutting depth $c = R_z/2$ and reference line C ref = 0%.

Design notes

Please observe our general design notes in → Technical Manual.

Tolerance recommendation

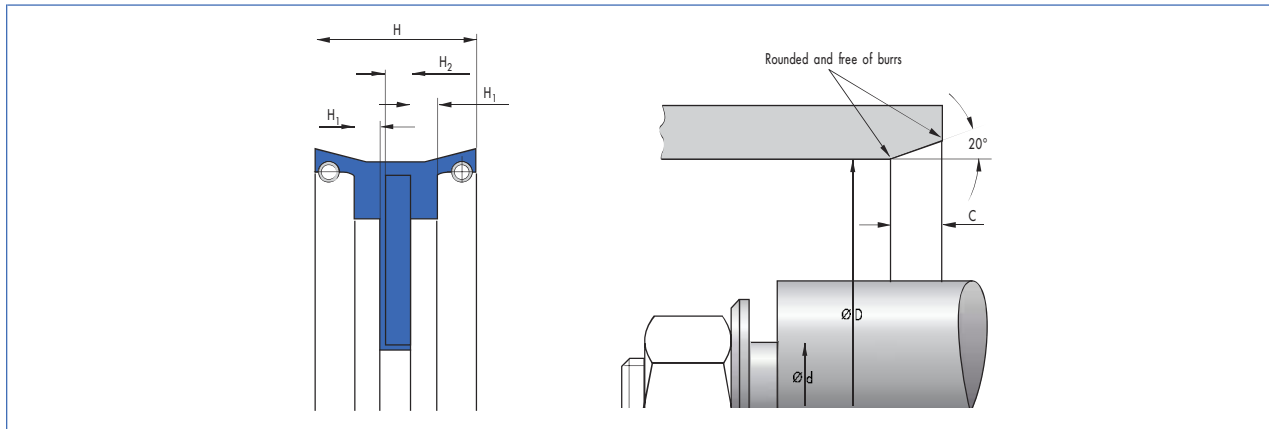
The admissible gap width, tolerances, guide play and deflection of the guide under load are to be taken into account when designing d2. → Technical Manual.

Nominal Ø D	D	d
≤320	H11	h11

Fitting & installation

The Merkel Complete Piston TDUOH is pushed onto the pin with the rubber layer on the clamping flange towards the rod and fixed with the fastening. The nut has to be secured.

Article list



D	d	H	H ₁	H ₂	C	Code	Material	Article No.	
25	8	22	1,5	3	3,5	T DUO H25-19	90 NBR M00109	9620	●
26	8	22	1,5	3	3,5	T DUO H26-8	90 NBR M00109	9622	○
35	8	26	1,5	3	3,5	T DUO H35-19	90 NBR M00109	9634	●
40	10	25	2,5	3	5	T DUO H40-41	90 NBR M00109	9640	●
45	10	25	1,5	4	5	T DUO H45-26	90 NBR M00109	9651	●
50	10	25	1,5	4	5	T DUO H50-34	90 NBR M00109	9654	●
50	16	23	1,5	5	5	T DUO H50-41	90 NBR M00109	9656	○
62	41	30	1,5	5	5	T DUO H62-7	90 NBR M00109	9679	○
63	12	25	1,5	4	5	T DUO H63-4	90 NBR M00109	63684	●
65	12	25	1,5	4	5	T DUO H65-27	90 NBR M00109	9688	●
70	12	30	1,5	5	5,5	T DUO H70-37	90 NBR M00109	9707	●
75	12	30	1,5	5	5,5	T DUO H75-15	90 NBR M00109	11618	●
80	12	30	1,5	5	5,5	T DUO H80-37	90 NBR M00109	9733	●
85	12	35	1,5	6	5,5	T DUO H85-14	90 NBR M00109	9743	○
90	12	35	2	6	5,5	T DUO H90-23	90 NBR M00109	9746	●
100	12	35	2	6	5,5	T DUO H100-30	90 NBR M00109	9755	●
110	12	40	2	6	5,5	T DUO H110-7	90 NBR M00109	9762	○
120	20	40	2,5	8	7	T DUO H120-20	90 NBR M00109	9771	○
125	20	40	2,5	8	7	T DUO H125-21	90 NBR M00109	9777	●
130	20	40	2,5	8	7	T DUO H130-8	90 NBR M00109	9781	○
145	20	45	2,5	10	7	T DUO H145-4	90 NBR M00109	9786	○
150	20	40	2,5	10	7	T DUO H150-16	90 NBR M00109	9791	●
160	20	40	2,5	10	7	T DUO H160-10	90 NBR M00109	9795	●
175	20	40	2,5	10	7	T DUO H175-5	90 NBR M00109	9801	○
200	20	40	2,5	10	8	T DUO H200-9	90 NBR M00109	11606	●
230	30	40	2,5	12	8	T DUO H230-3	90 NBR M00109	11617	○
300	60	40	2,5	12	8	T DUO H300-9	90 NBR M00109	9811	●

● Available from stock ○ On request: Tool is available, delivery at short notice

Merkel Compact Seal TFMA

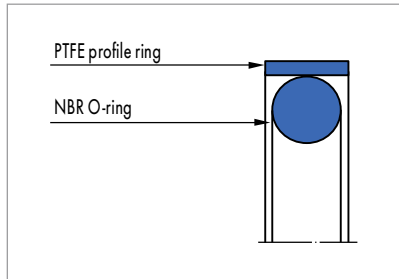


Fig. 1 Merkel Compact Seal TFMA

Product description

Two-piece Merkel Compact Seal TFMA comprising a profile ring and O-ring as a pre-load component.

Product advantages

Double-acting piston seal for the lower pressure range with the properties of

- Low friction
- Low housing height.

Application

Standard cylinders, cranes.

Material

Profile ring

Material	Code
PTFE bronze compound	PTFE 177023

O-ring

Material	Hardness
Nitrile rubber NBR	70 Shore A

Operating conditions

Material	PTFE 177023/NBR
	Temperature range in °C
Hydraulic oils HL, HLP	-30 ... +100
HFA fluids	-
HFB fluids	-
HFC fluids	-
HFD fluids	-
Water	-
HETG (rapeseed oil)	-30 ... +80
HEES (synthetic esters)	-
HEPG (glycol)	-30 ... +60
Mineral greases	-30 ... +100
Pressure p in MPa	16
Running speed v in m/s	2

Surface quality

Surface roughness	R _a	R _{max}
Sliding surface	0,05 ... 0,3 µm	≤2,5 µm
Groove base	≤1,6 µm	≤6,3 µm
Groove flanks	≤3,0 µm	≤15,0 µm

Percentage contact area M_r >50% up to max. 90% at cutting depth c = Rz/2 and reference line C ref = 0%.

Design notes

Please observe our general design notes in → Technical Manual.

Gap dimension

The largest gap dimension occurring on the non-pressurised side of the seal in operation is of vital importance for the function of the seal. → Technical Manual.

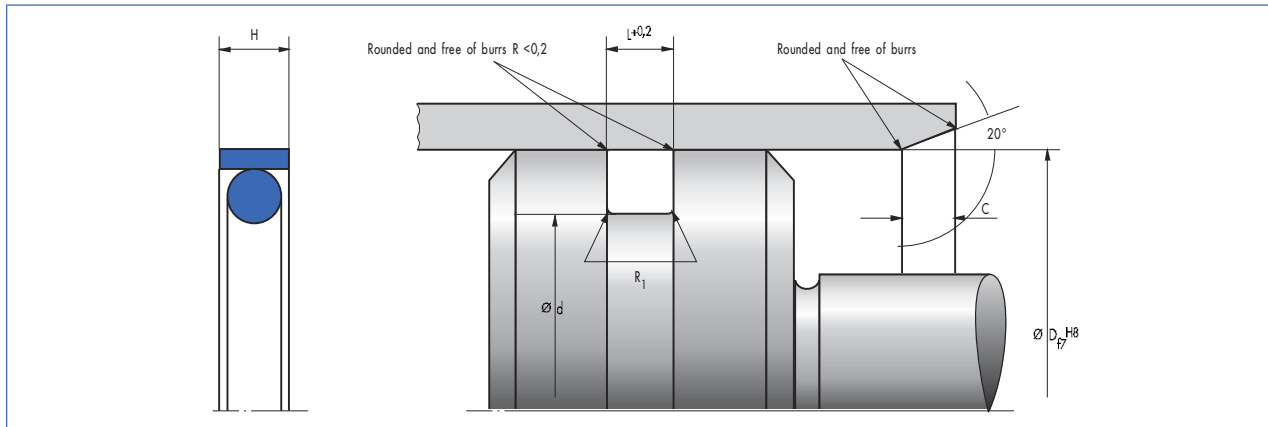
We recommend a metal guide H8/f7.

Fitting & installation

Careful fitting is a prerequisite for the correct function of the seal.

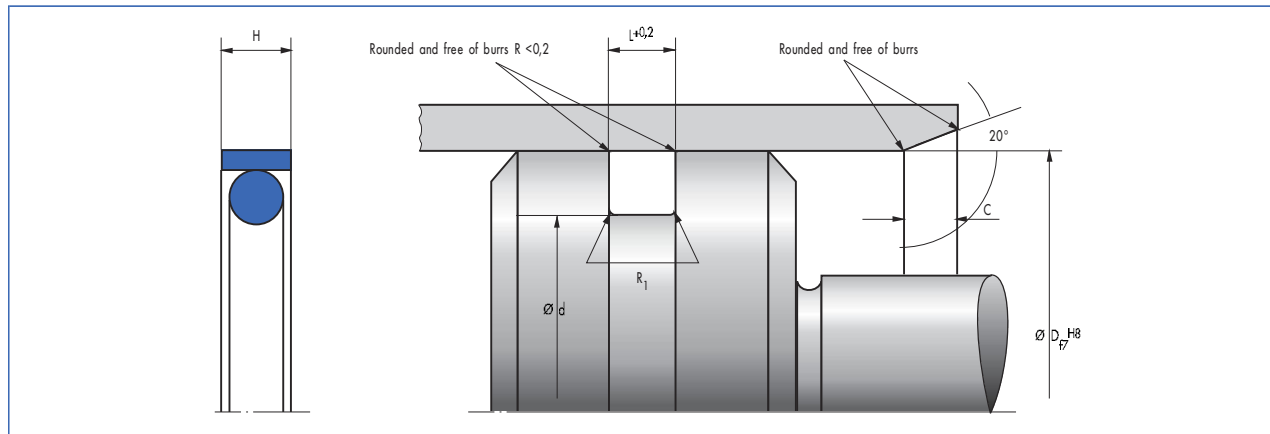
→ Technical Manual.

Article list



D	d	H	L	Profile	C	R ₁	Material	Article No.	
10	3,9	3	3,2	3,05	3	0,4	PTFE 177023	96028	○
12	5,9	3	3,2	3,05	3	0,4	PTFE 177023	98533	○
15	8,9	3	3,2	3,05	3	0,4	PTFE 177023	97882	○
16	9,9	3	3,2	3,05	3	0,4	PTFE 177023	98699	●
18	11,9	3	3,2	3,05	3	0,4	PTFE 177023	97889	●
20	13,9	3	3,2	3,05	3	0,4	PTFE 177023	98990	●
22	15,9	3	3,2	3,05	3	0,4	PTFE 177023	98386	●
25	17,8	3,8	4	3,6	3,5	0,5	PTFE 177023	95440	●
28	20,8	3,8	4	3,6	3,5	0,5	PTFE 177023	98534	●
30	22,8	3,8	4	3,6	3,5	0,5	PTFE 177023	97436	●
32	24,8	3,8	4	3,6	3,5	0,5	PTFE 177023	97878	●
35	27,8	3,8	4	3,6	3,5	0,5	PTFE 177023	98405	●
38	30,8	3,8	4	3,6	3,5	0,5	PTFE 177023	94313	○
40	32,8	3,8	4	3,6	3,5	0,5	PTFE 177023	97022	●
42	34,8	3,8	4	3,6	3,5	0,5	PTFE 177023	98536	●
45	37,8	3,8	4	3,6	3,5	0,5	PTFE 177023	97023	●
48	40,8	3,8	4	3,6	3,5	0,5	PTFE 177023	98537	○
50	42,8	3,8	4	3,6	3,5	0,5	PTFE 177023	96867	●
52	44,8	3,8	4	3,6	3,5	0,5	PTFE 177023	98538	○
55	47,8	3,8	4	3,6	3,5	0,5	PTFE 177023	96882	●
60	47,8	7,3	7,5	6,1	7,5	0,8	PTFE 177023	97024	●
63	50,8	7,3	7,5	6,1	7,5	0,8	PTFE 177023	132794	○
65	52,8	7,3	7,5	6,1	7,5	0,8	PTFE 177023	97025	○
70	57,8	7,3	7,5	6,1	7,5	0,8	PTFE 177023	97026	○
75	62,8	7,3	7,5	6,1	7,5	0,8	PTFE 177023	97027	○
80	67,8	7,3	7,5	6,1	7,5	0,8	PTFE 177023	94314	●
85	72,8	7,3	7,5	6,1	7,5	0,8	PTFE 177023	97028	○
90	77,8	7,3	7,5	6,1	7,5	0,8	PTFE 177023	97029	●
95	82,8	7,3	7,5	6,1	7,5	0,8	PTFE 177023	97030	○
100	87,8	7,3	7,5	6,1	7,5	0,8	PTFE 177023	97031	●
105	92,8	7,3	7,5	6,1	7,5	0,8	PTFE 177023	363282	○
110	97,8	7,3	7,5	6,1	7,5	0,8	PTFE 177023	363281	○
120	107,8	7,3	7,5	6,1	7,5	0,8	PTFE 177023	97035	○
125	112,8	7,3	7,5	6,1	7,5	0,8	PTFE 177023	97036	○
130	117,8	7,3	7,5	6,1	7,5	0,8	PTFE 177023	97037	○

● Available from stock ○ On request: Tool is available, delivery at short notice



D	d	H	L	Profile	C	R ₁	Material	Article No.	
140	127,8	7,3	7,5	6,1	7,5	0,8	PTFE 177023	97039	<input type="radio"/>
150	136,8	7,3	7,5	6,6	7,5	0,8	PTFE 177023	98759	<input type="radio"/>

● Available from stock ○ On request: Tool is available, delivery at short notice

Merkel Compact Seal T 19

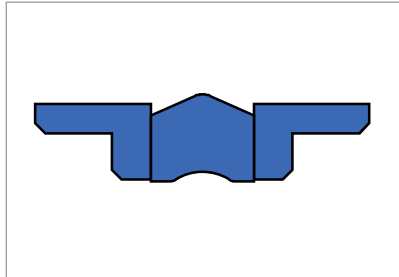


Fig. 1 Merkel Compact Seal T 19

Product description

Three-piece Merkel Compact Seal T 19 with two angled bushes (POM) and one sealing component of polyurethane.

Product advantages

The Merkel Compact Seal T 19 is used where a piston has pressure on both sides and is designed mainly for housings according to ISO 6547

- Good guiding
- Highly wear-resistant
- Easy fitting
- Short.

Application

Agricultural machinery, standard cylinders.

We recommend more modern series for new designs.

Material

Sealing component

Material	Code	Hardness
Novathan (polyurethane)	95 AU V142	95 Shore A

Angled bushes

Material	Hardness
Polyacetal POM	POM PO 202

Operating conditions

Material	95 AU V142
	Temperature range in °C
Hydraulic oils HL, HLP	-30 ... +110
HFA fluids	+5 ... +50
HFB fluids	+5 ... +50
HFC fluids	-30 ... +40
HFD fluids	-
Water	+5 ... +50
HETG (rapeseed oil)	-30 ... +60
HEES (synthetic esters)	-30 ... +80
HEPG (glycol)	-30 ... +50
Mineral greases	-40 ... +100
Pressure p in MPa	21
Running speed v in m/s	0,5

Surface quality

Surface roughness	R _a	R _{max}
Sliding surface	0,05 ... 0,3 µm	≤2,5 µm
Groove base	≤1,6 µm	≤6,3 µm
Groove flanks	≤3,0 µm	≤15,0 µm

Percentage contact area M_v >50% to max. 90% at cutting depth c = Rz/2 and reference line C ref = 0%.

Design notes

Please observe our general design notes in → Technical Manual.

Tolerance recommendation

When designing d2, the admissible gap width, tolerances, guide play and deflection of the guide under load are to be taken into account. → Technical Manual.

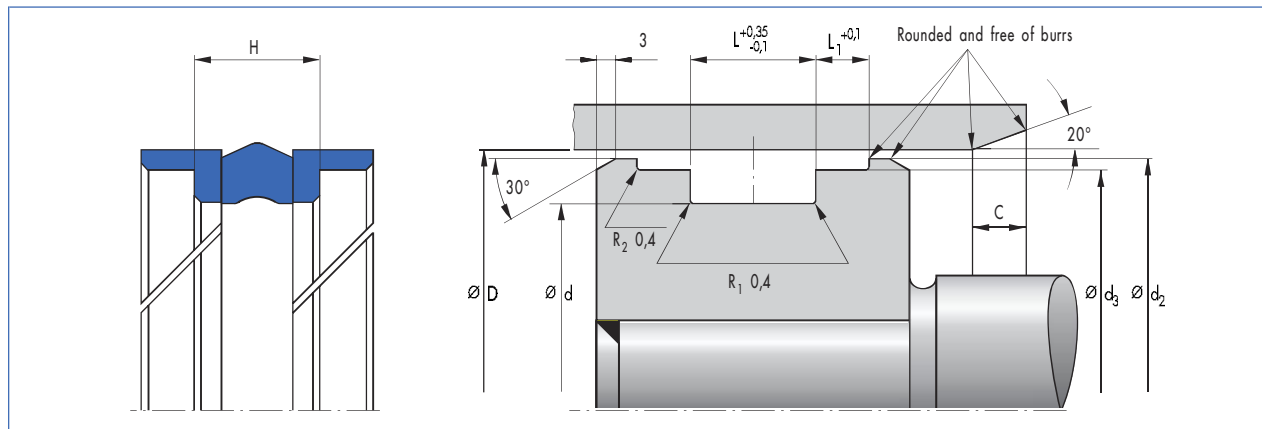
Nominal Ø D	D	d	d2	d3
25 ... 100	H8	h9	h11	h7

Fitting & installation

Careful fitting is a prerequisite for the correct function of the seal.

→ Technical Manual.

Article list



D	d	d ₂	d ₃	H	L	L ₁	Profile	C	Housing	Material	Article No.	
25	17	24	22	9,3	10	4	4	2	ISO	95 AU V142	24314979	○
32	24	31	29	9,3	10	4	4	2	ISO	95 AU V142	24306315	●
40	32	39	37	9,3	10	4	4	2	ISO	95 AU V142	24264801	●
50	40	49	47	11,6	12,5	4	5	2,5	ISO	95 AU V142	24269657	●
63	53	62	60	11,6	12,5	4	5	2,5	ISO	95 AU V142	24237695	●
70	60	69	67	11,65	12,5	4	5	2,5		95 AU V142	24299663	●
80	70	79	77	11,6	12,5	4	5	2,5		95 AU V142	24262188	●
90	80	88,5	86	11,65	12,5	5	5	2,5		95 AU V142	24314955	●
100	90	98,5	96	11,6	12,5	5	5	2,5		95 AU V142	24314956	●

● Available from stock ○ On request: Tool is available, delivery at short notice

Merkel Compact Seal L 43

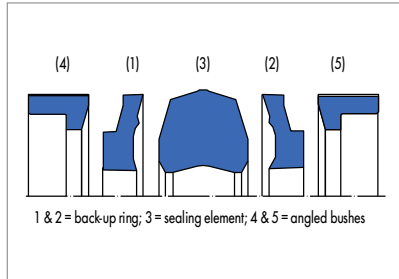


Fig. 1 Merkel Compact Seal L 43

Product description

Five-piece Merkel compact seal L 43 comprising one profile ring, two back-up rings and two angled bushes.

Product advantages

The Merkel Piston Seal L 43 is used for sealing pistons with pressure on both sides. The angled rings guide the piston on the cylinder bore.

- No extrusion into the radial sealing gap
- Suitable for rapid pressure change
- Sealing component protected against twisting.

Application

Earth moving equipment, agricultural machinery, cranes, standard cylinders.

Material

Sealing component

Material	Code	Hardness
Nitrile rubber	78 NBR B281	78 Shore A

Back-up ring

Material	Code
Polyester elastomer	97 TPE TP113

Angled bush

Material	Code
Polyamide with special filling	PA 6.501

Operating conditions

Material	78 NBR B281/97 TPE TP113/PA 6.501
	Temperature range in °C
Hydraulic oils HL, HLP	-30 ... +100
HFA fluids	+5 ... +60
HFB fluids	+5 ... +60
HFC fluids	+5 ... +50
HFD fluids	-
Water	-
HETG (rapeseed oil)	-30 ... +60
HEES (synthetic esters)	-30 ... +80
HEPG (glycol)	-30 ... +50
Mineral greases	-30 ... +100
Pressure p in MPa	40
Running speed v in m/s	0,5

Surface quality

Surface roughness	R _a	R _{max}
Sliding surface	0,05 ... 0,3 µm	≤2,5 µm
Groove base	≤1,6 µm	≤6,3 µm
Groove flanks	≤3,0 µm	≤15,0 µm

Percentage contact area M_r >50% to max. 90% at cutting depth c = Rz/2 and reference line C ref = 0%.

Design notes

Please observe our general design notes in → Technical Manual.

Gap dimension

The largest gap dimension occurring on the non-pressurised side of the seal in operation is of vital importance for the function of the seal. → Technical Manual.

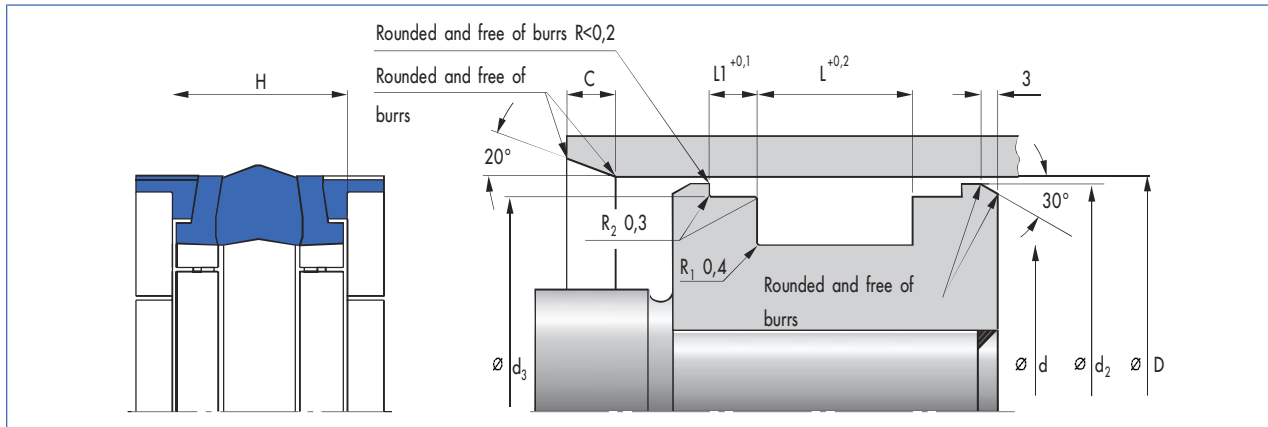
Tolerance recommendation

Nominal Ø D	D	d	d ₂	d ₃
40 ... 200	H8	h9	h11	h8

Fitting & installation

Careful fitting is a prerequisite for the correct function of the seal.
→ Technical Manual.

Article list



D	d	L	L ₁	d ₂	d ₃	H	Profile	C	Material	Article No.	
32	22	16,4	6,35	30,5	28,5	16,4	5	4	75 NBR B281	529741	○
40	24	18,4	6,4	38,7	35,4	18,4	8	4	75 NBR B281	24251786	●
40	26	15,5	2,6	39	36	15,5	7	4	75 NBR B281	24251780	●
40	30	16,4	6,35	38,5	35,4	16,4	5	4	75 NBR B281	529742	○
45	31	15,5	2,6	44	41	15,5	7	4	75 NBR B281	24265145	●
50	34	18,4	6,4	48,7	45,4	18,4	8	4	75 NBR B281	24251792	●
50	34	20,5	3,1	49	46	20,5	8	4	75 NBR B281	24251797	●
55	39	18,4	6,35	53,65	50,37	18,4	8	4	75 NBR B281	529744	○
55	39	20,5	3,1	54	51	20,5	8	4	75 NBR B281	24251802	●
60	44	18,4	6,4	58,7	55,4	18,4	8	4	75 NBR B281	24251781	●
60	44	20,5	3,1	59	56	20,5	8	4	75 NBR B281	24251787	●
63	47	18,4	6,4	61,7	58,4	18,4	8	4	75 NBR B281	24251793	●
63	47	19,4	6,4	61,7	58,4	19,4	8	4	75 NBR B281	24251798	●
63	47	20,5	3,1	62	59	20,5	8	4	75 NBR B281	24251803	●
65	49	20,5	3,1	64	61	20,5	8	4	75 NBR B281	24289999	●
65	50	18,4	6,35	63,64	60,41	18,4	7,5	4	75 NBR B281	529745	○
70	50	22,4	6,4	68,3	64,2	22,4	10	4	75 NBR B281	24251788	●
70	54	20,5	3,1	69	66	20,5	8	4	75 NBR B281	24251782	●
75	55	22,4	6,4	73,3	69,2	22,4	10	4	75 NBR B281	24380527	●
75	59	20,5	3,1	74	71	20,5	8	4	75 NBR B281	24379140	●
80	60	22,4	6,4	78,3	74,2	22,4	10	5	80 NBR B281	24251794	●
80	62	22,5	3,6	79	76	22,5	9	5	75 NBR B281	24251799	●
85	65	22,4	6,35	83,34	79,16	22,4	10	5	75 NBR B281	529746	○
85	65	22,4	6,35	83,34	79,16	22,4	10	5	75 NBR B281	49001921	○
85	65	22,5	6,4	93,3	79,2	22,4	10	5	75 NBR B281	24314803	●
90	70	22,4	6,4	88,3	84,2	22,4	10	5	75 NBR B281	24251804	●
90	72	22,5	3,6	89	86	22,5	9	5	75 NBR B281	24251783	●
95	75	22,4	6,35	93,31	89,15	22,4	10	5	75 NBR B281	529747	○
100	75	22,4	6,4	98	93,2	22,4	12,5	5	75 NBR B281	24251789	●
100	82	22,5	3,6	99	96	22,5	9	5	75 NBR B281	24251795	●
105	80	22,5	6,4	103	98,1	22,5	12,5	5	75 NBR B281	24330610	●
110	85	22,4	6,4	108	103,2	22,4	12,5	5	75 NBR B281	24251800	●
110	92	22,5	3,6	109	106	22,5	9	5	75 NBR B281	24251805	●
120	95	22,4	6,4	118	113,1	22,4	12,5	6	75 NBR B281	24378461	●
125	100	25,4	6,4	123	118,1	25,4	12,5	6	75 NBR B281	24267856	●

● Available from stock ○ On request: Tool is available, delivery at short notice

D	d	L	L ₁	d ₂	d ₃	H	Profile	C	Material	Article No.	
125	103	26,5	5,1	124	121	26,5	11	6	75 NBR B281	24251784	●
135	110	25,4	9,5	132,5	127,6	25,4	12,5	6	75 NBR B281	24380523	○
140	115	25,4	6,4	138	133	25,4	12,5	6	75 NBR B281	24251790	●
140	118	26,5	5,1	139	136	26,5	11	6	75 NBR B281	24251796	●
150	128	26,5	5,1	149	146	26,5	11	6	75 NBR B281	24266979	●
160	130	25,4	6,4	158	153	25,4	15	6	80 NBR B281	24251801	●
160	138	26,5	5,1	159	156	26,5	11	6	75 NBR B281	24251785	●
165	143	26,5	5,1	164	161	26,5	11	6	75 NBR B281	24266980	●
180	155	25,4	12,75	177,5	171,7	25,4	12,5	6	75 NBR B281	24380750	○
180	158	26,5	5,1	179	176	26,5	11	6	75 NBR B281	24251791	●
185	160	25,4	12,75	182,5	176,7	25,4	12,5	6	75 NBR B281	24380749	○
200	175	31,5	6,6	199	196	31,5	12,5	6	75 NBR B281	24251674	●

● Available from stock ○ On request: Tool is available, delivery at short notice

Merkel Compact Seal L 27

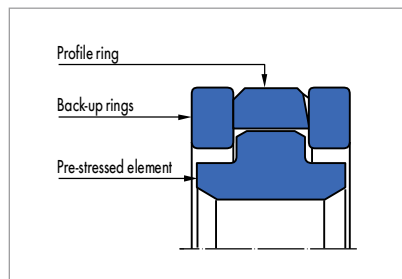


Fig. 1 Merkel Compact Seal L 27

Product description

Four-piece Merkel Compact Seal L 27 comprising one pre-load component (NBR), two active back-up rings (POM) and one PTFE bronze profile ring.

Product advantages

The Merkel Piston Seal L 27 is used where a piston has pressure on both sides. The activated back-up rings offer good protection against extrusion even with gaps for breathing

- Bridges large radial gaps
- Very good protection against extrusion even with pressure peaks
- High resistance to abrasion
- Low friction, free of stick-slip
- High contact pressure due to elastomer profile ring.

Application

Earth moving equipment, injection moulding machines, presses, excavators.

Material

PTFE profile ring

Material	Code
PTFE bronze compound	PTFE B602

Pre-load component

Material	Code	Hardness
Nitrile rubber NBR	85 NBR B247/85 NBR B203	85 Shore A

Back-up ring

Material	Code
Polyacetal	POM PO202

Operating conditions

Material	PTFE B602/ 85 NBR B247/ POM PO202	PTFE B602/ 85 NBR B203/ POM PO202
	Temperature range in °C	
Hydraulic oils HL, HLP	-30 ... +100	-30 ... +100
HFA fluids	-	-
HFB fluids	-	-
HFC fluids	-	-
HFD fluids	-	-
Water	-	-
HETG (rapeseed oil)	-30 ... +80	-30 ... +80
HEES (synthetic esters)	-30 ... +80	-30 ... +80
HEPG (glycol)	-30 ... +50	-30 ... +50
Mineral greases	-30 ... +100	-30 ... +100
Pressure p in MPa	50	
Running speed v in m/s	1,5	

Surface quality

Surface roughness	R_a	R_{max}
Sliding surface	0,05 ... 0,3 μm	$\leq 2,5 \mu\text{m}$
Groove base	$\leq 1,6 \mu\text{m}$	$\leq 6,3 \mu\text{m}$
Groove flanks	$\leq 3,0 \mu\text{m}$	$\leq 15,0 \mu\text{m}$

Percentage contact area $M_v > 50\%$ to max. 90% at cutting depth $c = R_z/2$ and reference line $C_{ref} = 0\%$.

Design notes

Please observe our general design notes in → Technical Manual.

Tolerance recommendation

Nominal Ø D	Pro- file	16 MPa					26 MPa				
		D	d	D2	DF	X2	D	d	D2	DF	X2
... 70	6,0	H8	h9	h9	h8	0,8	H8	h9	h9	h8	0,7
>70 ... 110	8,5	H8	h9	h9	h8	1,2	H8	h9	h9	h8	1,0
>110 ... 200	10,0	H8	h9	h9	h8	1,2	H8	h9	h9	h8	1,0
>200 ... 350	12,5	H8	h9	h9	h8	1,8	H8	h9	h9	h8	1,4

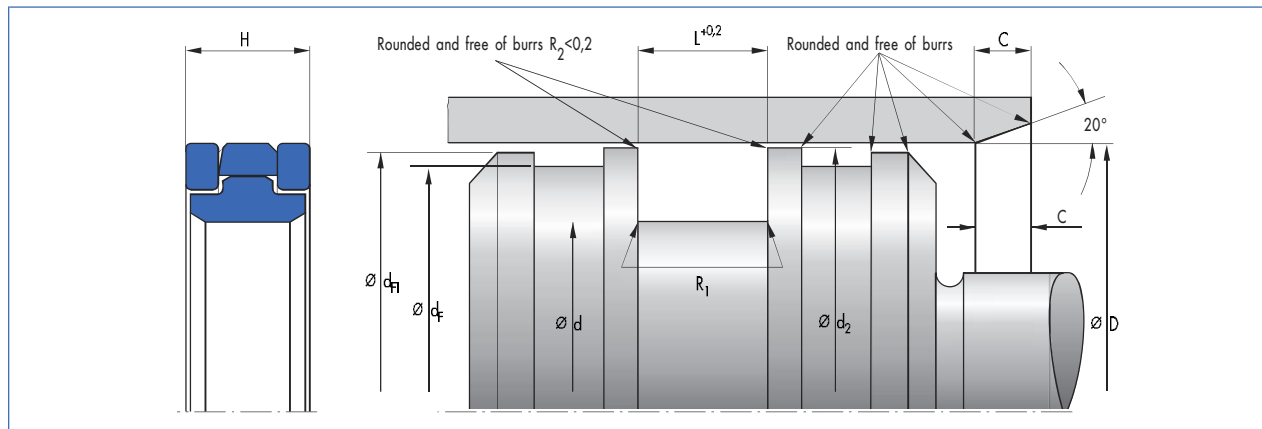
Nominal Ø D	Pro- file	32 MPa					40 MPa				
		D	d	D2	DF	X2	D	d	D2	DF	X2
... 70	6,0	H8	h9	h9	h8	0,50	H8	h9	h9	h8	0,4
>70 ... 110	8,5	H8	h9	h9	h8	0,65	H8	h9	h9	h8	0,5
>110 ... 200	10,0	H8	h9	h9	h8	0,65	H8	h9	h9	h8	0,5
>200 ... 350	12,5	H8	h9	h9	h8	0,90	H8	h9	h9	h8	0,7

Fitting & installation

Careful fitting is a prerequisite for the correct function of the seal.

→ Technical Manual.

Article list



D	d	H	L	Profile	C	R ₁	Material	Article No.	
50	38	9	10	6	6	0,5	PTFE B602	24361313	●
63	51	9	10	6	6	0,5	PTFE B602	24361314	○
70	53	13,4	14	8,5	8	0,5	PTFE B602	24375726	●
80	63	13,4	14	8,5	8	0,5	PTFE B602	24361315	●
90	73	13,4	14	8,5	8	0,5	PTFE B602	24351815	●
100	83	13,4	14	8,5	8	0,5	PTFE B602	24359198	●
105	88	13,4	14	8,5	8	0,5	PTFE B602	24346227	●
110	93	13,4	14	8,5	8	0,5	PTFE B602	24360184	●
115	98	13,4	14	8,5	8	0,5	PTFE B602	24355371	○
120	103	13,4	14	8,5	8	0,5	PTFE B602	24360185	○
125	108	13,4	14	8,5	8	0,5	PTFE B602	24355372	●
130	105	18,4	19	12,5	8	0,5	PTFE B602	24360186	○
140	115	18,4	19	12,5	10,5	0,5	PTFE B602	24360788	○
150	125	18,4	19	12,5	10,5	0,5	PTFE B602	24361316	○
150	130	16,8	17,5	10	10,5	0,5	PTFE B602	24181687	○
160	135	18,4	19	12,5	10,5	0,5	PTFE B602	24361317	○
165	140	18,4	19	12,5	10,5	0,5	PTFE B602	24361318	○
180	155	18,4	19	12,5	10,5	0,5	PTFE B602	24361319	○
200	175	18,4	19	12,5	10,5	0,5	PTFE B602	24361320	○
250	225	18,4	19	12,5	10,5	0,5	PTFE B602	24370692	○
280	255	18,4	19	12,5	10,5	0,5	PTFE B602	24370693	○
300	275	18,4	19	12,5	10,5	0,5	PTFE B602	24370694	○
320	295	18,4	19	12,5	10,5	0,5	PTFE B602	24370695	○

● Available from stock ○ On request: Tool is available, delivery at short notice

Merkel Compact Seal Simko 520

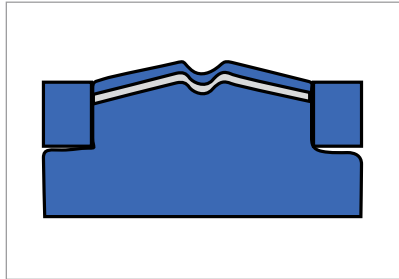


Fig. 1 Merkel Compact Seal Simko 520

Product description

Three-piece Merkel Compact Seal Simko 520 consisting of a fabric reinforced elastomeric sealing element and two guide back-up rings as gap sealing component.

Product advantages

Double-acting Merkel piston seal, preferably for spare parts requirement.

Application

Earth moving equipment, agricultural machinery, cranes, standard cylinders. We recommend more modern series for new designs.

Material

Sealing component

Material	Hardness
Nitrile rubber NBR and fabric reinforcement	80 Shore A

Guide back-up rings

Material	Code
Polyacetal resin	POM 992020

Operating conditions

Material	80 NBR/POM
	Temperature range in °C
Hydraulic oils HL, HLP	-30 ... +100
HFA fluids	+5 ... +60
HFB fluids	+5 ... +60
HFC fluids	-30 ... +60
HFD fluids	-
Water	+5 ... +90
HETG (rapeseed oil)	-30 ... +80
HEES (synthetic esters)	-
HEPG (glycol)	-30 ... +60
Mineral greases	-30 ... +100
Pressure p in MPa	50
Running speed v in m/s	0,5

Surface quality

Surface roughness	R _a	R _{max}
Sliding surface	0,05 ... 0,3 µm	≤2,5 µm
Groove base	≤1,6 µm	≤6,3 µm
Groove flanks	≤3,0 µm	≤15,0 µm

Percentage contact area M_v >50% to max. 90% at cutting depth c = Rz/2 and reference line C ref = 0%.

Design notes

Please observe our general design notes in → Technical Manual.

Gap dimension

The largest gap dimension occurring on the non-pressurised side of the seal in operation is of vital importance for the function of the seal. → Technical Manual.

Ø range D	Max. permissible gap dimension			
	26 MPa	32 MPa	40 MPa	50 MPa
≤80	0,60	0,55	0,45	0,35
>80	0,65	0,60	0,50	0,40

Tolerance recommendation and dimension d2

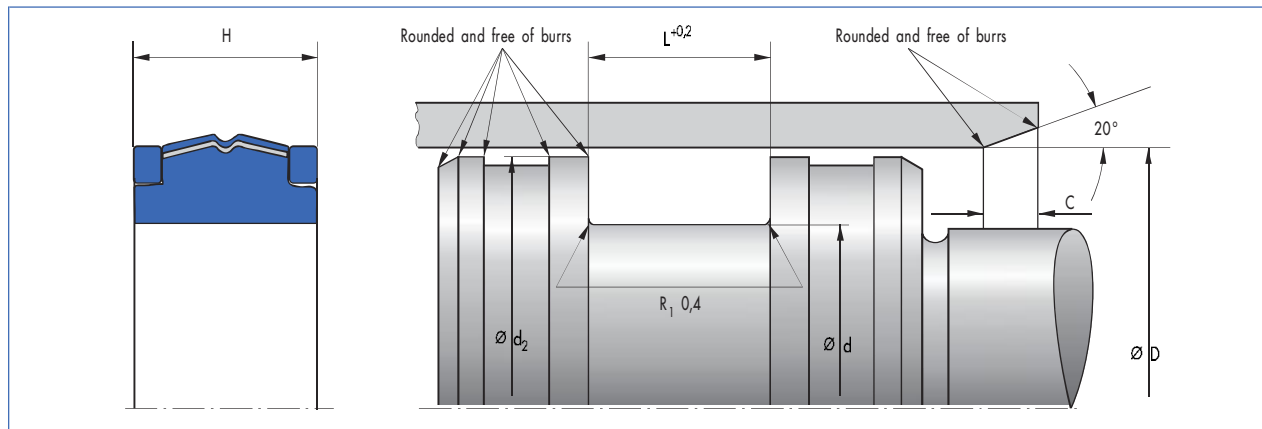
The admissible gap width, tolerances, guide play and deflection of the guide under load are to be taken into account when designing d2. → Technical Manual.

Nominal Ø D	D	d
≤320	H11	h11

Fitting & installation

Careful fitting is a prerequisite for the correct function of the seal.
→ Technical Manual.

Article list



D	d	H	L	C	Material	Article No.	
40	32	9	9,5	4	80 NBR M00878	141475	●
50	38	11	11,5	4	80 NBR M00878	316637	○
50	38	14	14,5	4	80 NBR M00878	125346	●
63	50	14	14,5	4	80 NBR M00878	371339	○
63	51	14	14,5	4	80 NBR M00878	316673	●
75	63	18	18,5	4	80 NBR M00878	121438	●
80	66	16	16,5	5	80 NBR M00878	358382	○
90	76	16	16,5	5	80 NBR M00878	116822	○
100	86	16	16,5	5	80 NBR M00878	423522	●
105	91	16	16,5	5	80 NBR M00878	114022	○
110	95	15	15,5	5	80 NBR M00878	309987	●
120	105	15	15,5	6	80 NBR M00878	309907	○
125	110	15,2	15,7	6	80 NBR M00878	309906	○
130	113	20	20,5	6	80 NBR M00878	114340	●
135	118	20	20,5	6	80 NBR M00878	124180	○
140	125	15,4	15,9	6	80 NBR M00878	330336	○
150	135	15	15,5	6	80 NBR M00878	309903	○
160	143	19,5	20	6	80 NBR M00878	117577	○
165	150	15	15,5	6	80 NBR M00878	129309	○
185	165	15	15,5	6	80 NBR M00878	143164	○
200	180	15	15,5	6	80 NBR M00878	145832	○
210	190	15	15,5	6	80 NBR M00878	143158	○
220	200	19,5	20	6	80 NBR M00878	150760	○
225	205	24	24,5	6	80 NBR M00878	309905	○
250	230	25	25,5	6	80 NBR M00878	149494	○
280	255	24,3	24,8	6	80 NBR M00878	122825	●
320	300	25	25,5	6	80 NBR M00878	122735	○

● Available from stock ○ On request: Tool is available, delivery at short notice

Merkel Compact Seal Simko 320 X2

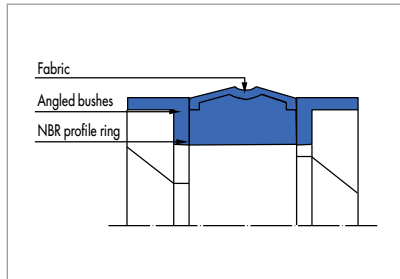


Fig. 1 Merkel Compact Seal Simko 320 X2

Product description

Three-piece Merkel Compact Seal Simko 320 X2 consisting of a fabric reinforced elastomeric sealing element and two guide back-up rings.

Product advantages

Double-acting Merkel piston seal with integrated guide back-up rings.

Application

Earth moving equipment, agricultural machinery, cranes, standard cylinders. We recommend more modern series for new designs.

Material

Sealing component

Material	Hardness
Nitrile rubber NBR and fabric reinforcement	80 Shore A

Guide back-up rings

Material
Polyamide

Operating conditions

Material	80 NBR 878/Polyamide
	Temperature range in °C
Hydraulic oils HL, HLP	-30 ... +100
HFA fluids	+5 ... +60
HFB fluids	+5 ... +60
HFC fluids	-30 ... +60
HFD fluids	-
Water	+5 ... +90
HETG (rapeseed oil)	-30 ... +80
HEES (synthetic esters)	-
HEPG (glycol)	-30 ... +60
Mineral greases	-30 ... +100
Pressure p in MPa	40
Running speed v in m/s	0,5

Surface quality

Surface roughness	R _a	R _{max}
Sliding surface	0,05 ... 0,3 µm	≤2,5 µm
Groove base	≤1,6 µm	≤6,3 µm
Groove flanks	≤3,0 µm	≤15,0 µm

Percentage contact area M_r >50% to max. 90% at cutting depth c = Rz/2 and reference line C ref = 0%.

Design notes

Please observe our general design notes in → Technical Manual.

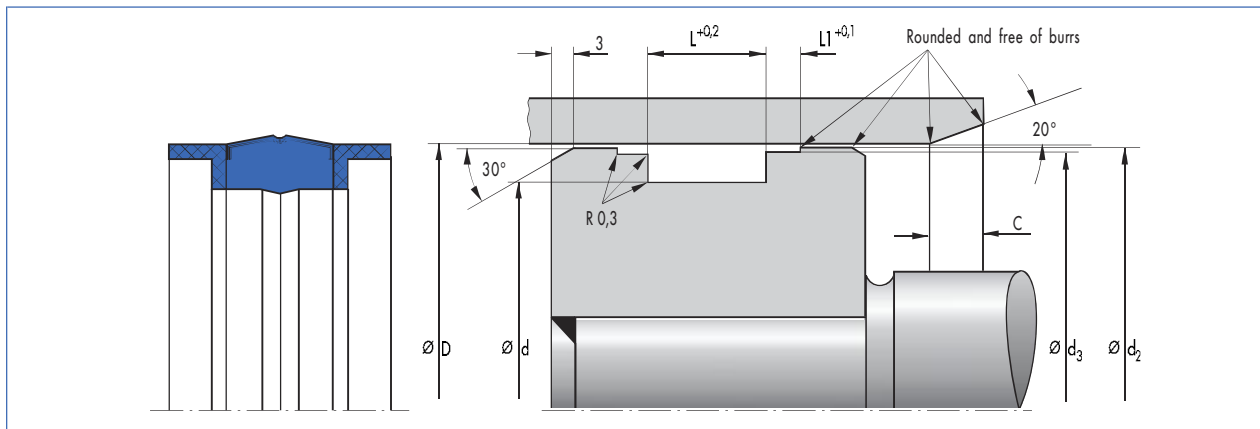
Tolerance recommendation

Nominal Ø D	D	d	d ₂	d ₃
25 ... 250	H11	h11	±0,07	f8

Fitting & installation

Careful fitting is a prerequisite for the correct function of the seal.
→ Technical Manual.

Article list



D	d	L	L ₁	L ₂	d ₁	d ₂	d ₃	C	Material	Article No.	
25	17	13,5	3,2	2,1	14	24,4	21	4	80 NBR M00878	10600	○
30	22	13,5	3,2	2,1	19	29,4	26	4	80 NBR M00878	10605	○
32	24	13,5	3,2	3,1	21	31,4	28	4	80 NBR M00878	10607	○
35	27	15,5	3,2	3,1	24	34,4	31	4	80 NBR M00878	10613	○
40	32	15,5	3,2	3,1	29	39,4	36	4	80 NBR M00878	10618	○
45	37	15,5	15,5	3,2	34	44,4	41	4	80 NBR M00878	10636	○
50	38	20,5	4,2			49,4	46	4	80 NBR M00878	10642	○
60	48	20,5	4,2			59,4	56	4	80 NBR M00878	10647	○
63	51	20,5	4,2			62,4	59	4	80 NBR M00878	10651	○
70	58	20,5	4,2			69,4	66	4	80 NBR M00878	10660	○
80	66	22,5	5,2			79,4	76	5	80 NBR M00878	10682	○
90	76	22,5	5,2			89,4	86	5	80 NBR M00878	10696	○
100	86	22,5	5,2			99,4	96	5	80 NBR M00878	10700	○
110	96	22,5	5,2			109,4	106	5	80 NBR M00878	10702	○
120	106	22,5	5,2			119,4	116	6	80 NBR M00878	10707	○
125	108	26,5	7,2			124,4	121	6	80 NBR M00878	10714	○
140	123	26,5	7,2			139,4	136	6	80 NBR M00878	10738	○
150	133	26,5	7,2			149,4	146	6	80 NBR M00878	10751	○
160	143	26,5	7,2			159,4	156	6	80 NBR M00878	10752	○
180	163	26,5	7,2			179,4	176	6	80 NBR M00878	10753	○
200	180	31,5	9,2			199,4	196	6	80 NBR M00878	10766	○
220	200	31,5	9,2			219,4	216	6	80 NBR M00878	18119	○
250	230	31,5	9,2			249,4	246	6	80 NBR M00878	18120	○

● Available from stock ○ On request: Tool is available, delivery at short notice

Merkel Compact Seal Simko 300

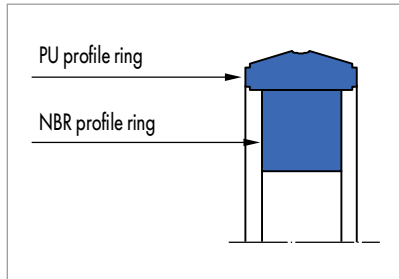


Fig. 1 Merkel Compact Seal Simko 300

Product description

Two-piece Merkel Compact Seal Simko 300 comprising one profile ring with pronounced sealing edge and one contact pressure element for producing the pre-load.

Product advantages

- Double-acting Merkel piston seal
- Good static and dynamic tightness
- Low friction, smooth movement even at low running speeds
- Contact pressure element with rectangular cross-section, prevents twisting in the housing
- Standardised housings according to ISO 7425
- Low axial housing heights.

Application

Earth moving equipment, agricultural machinery, injection moulding machines, industrial vehicles, cranes, loading platforms.

Material

Profile ring

Material	Code	Hardness
Polyurethane	98 AU 928	98 Shore A

Contact pressure element

D ≤63

Material	Code	Hardness
Nitrile rubber NBR	72 NBR 872	72 Shore A

Contact pressure element

D >63

Material	Code	Hardness
Nitrile rubber NBR	80 NBR 709	80 Shore A

Operating conditions

Material	98 AU 928/72 NBR 872 98 AU 928/80 NBR 709
	Temperature range in °C
Hydraulic oils HL, HLP	-30 ... +100
HFA fluids	+5 ... +50
HFB fluids	+5 ... +50
HFC fluids	-30 ... +40
HFD fluids	-
Water	+5 ... +40
HETG (rapeseed oil)	-30 ... +60
HEES (synthetic esters)	-30 ... +60
HEPG (glycol)	-30 ... +40
Mineral greases	-30 ... +100
Pressure p in MPa	40
Running speed v in m/s	0,5

Surface quality

Surface roughness	R _a	R _{max}
Sliding surface	0,05 ... 0,3 µm	≤2,5 µm
Groove base	≤1,6 µm	≤6,3 µm
Groove flanks	≤3,0 µm	≤15,0 µm

Percentage contact area M_r >50% to max. 90% at cutting depth c = Rz/2 and reference line C ref = 0%.

Design notes

Please observe our general design notes in → Technical Manual.

Gap dimension

The largest gap dimension occurring on the non-pressurised side of the seal in operation is of vital importance for the function of the seal. → Technical Manual.

Profile	Max. permissible gap dimension			
	16 MPa	26 MPa	32 MPa	40 MPa
3,2	0,30	0,20	–	–
4,2	0,40	0,30	0,20	–
6,3	0,50	0,40	0,30	0,25
8,1	0,60	0,50	0,40	0,35
10,5	0,65	0,55	0,45	0,40

Tolerance recommendation and dimension d2

The admissible gap width, tolerances, guide play and deflection of the guide under load are to be taken into account when designing d2. → Technical Manual.

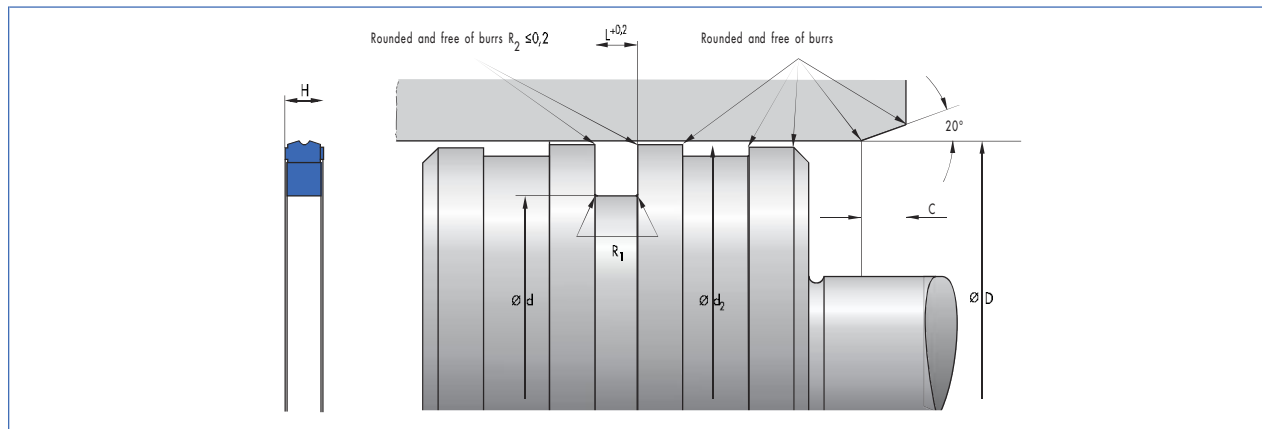
Nominal Ø D	D	d
≤200	H9	h9

Fitting & installation

Careful fitting is a prerequisite for the correct function of the seal.

→ Technical Manual.

Article list



D	d	H	L	Profile	C	R ₁	Housing	Material	Article No.	
20	12,5	3	3,2	3,75	2	0,2	ISO	98 AU P00928	417924	●
25	17,5	3	3,2	3,75	2	0,2	ISO	98 AU P00928	416478	●
30	22,5	3	3,2	3,75	2	0,2		98 AU P00928	416479	●
32	24,5	3	3,2	3,75	2	0,2	ISO	98 AU P00928	416480	●
35	24	4	4,2	5,5	2,5	0,3		98 AU P00928	410747	○
40	24,5	6	6,3	7,75	3	0,3		98 AU P00928	416483	○
40	29	4	4,2	5,5	2,5	0,3	ISO	98 AU P00928	416481	●
45	34	4	4,2	5,5	2,5	0,3		98 AU P00928	416484	●
50	34,5	6	6,3	7,75	3	0,3	ISO	98 AU P00928	416486	●
50	39	4	4,2	5,5	2,5	0,3	ISO	98 AU P00928	417293	●
55	39,5	6	6,3	7,75	3	0,3		98 AU P00928	417294	●
60	44,5	6	6,3	7,75	3	0,3		98 AU P00928	417295	●
60	49	4	4,2	5,5	2,5	0,3		98 AU P00928	416490	●
63	47,5	6	6,3	7,75	3	0,3	ISO	98 AU P00928	416491	●
63	52	4	4,2	5,5	2,5	0,3	ISO	98 AU P00928	416494	●
65	49,5	6	6,3	7,75	4	0,3		98 AU P00928	505020	●
70	54,5	6	6,3	7,75	4	0,3		98 AU P00928	417299	●
70	59	4	4,2	5,5	3	0,3		98 AU P00928	416495	●
75	59,5	6	6,3	7,75	4	0,3		98 AU P00928	416497	●
80	59	7,8	8,1	10,5	5	0,4		98 AU P00928	411795	●
80	59	10	10,5	10,5	7	0,4		98 AU P00928	417457	●
80	64,5	6	6,3	7,75	4	0,3	ISO	98 AU P00928	417302	●
85	69,5	6	6,3	7,75	4	0,3		98 AU P00928	505018	●
90	69	7,8	8,1	10,5	5	0,4		98 AU P00928	416501	○
90	69	10	10,5	10,5	7	0,4		98 AU P00928	416502	●
90	74,5	6	6,3	7,75	4	0,3		98 AU P00928	417304	●
95	79,5	6	6,3	7,75	4	0,3		98 AU P00928	416503	●
100	79	7,8	8,1	10,5	5	0,4		98 AU P00928	416504	●
100	84,5	6	6,3	7,75	4	0,3	ISO	98 AU P00928	417305	●
105	89,5	6	6,3	7,75	4	0,3		98 AU P00928	416505	●
110	89	7,8	8,1	10,5	5	0,4		98 AU P00928	417307	●
110	89	10	10,5	10,5	7	0,4		98 AU P00928	416507	○
110	94,5	6	6,3	7,75	4	0,3		98 AU P00928	416508	●
115	94	7,8	8,1	10,5	5	0,4		98 AU P00928	416514	●
120	99	7,8	8,1	10,5	5	0,4		98 AU P00928	410001	●

● Available from stock ○ On request: Tool is available, delivery at short notice

D	d	H	L	Profile	C	R ₁	Housing	Material	Article No.	
120	99	10	10,5	10,5	7	0,4		98 AU P00928	416515	●
125	104	7,8	8,1	10,5	5	0,4	ISO	98 AU P00928	416516	●
125	104	10	10,5	10,5	7	0,4		98 AU P00928	416517	●
125	109,5	6	6,3	7,75	4	0,3	ISO	98 AU P00928	418089	●
130	109	7,8	8,1	10,5	5	0,4		98 AU P00928	409999	●
135	114	7,75	8,1	10,5	7	0,4		98 AU P00928	49014374	○
140	119	7,8	8,1	10,5	5	0,4		98 AU P00928	417954	●
140	119	10	10,5	10,5	7	0,4		98 AU P00928	416518	●
150	129	7,8	8,1	10,5	7	0,4		98 AU P00928	49031265	●
150	129	10	10,5	10,5	7	0,4		98 AU P00928	416519	●
160	139	7,8	8,1	10,5	5	0,4	ISO	98 AU P00928	416520	●
180	159	7,8	8,1	10,5	5	0,4		98 AU P00928	417470	●
200	175	12	12,5	12,5	9	0,4	ISO	98 AU P00928	418081	○
200	179	7,8	8,1	10,5	5	0,4	ISO	98 AU P00928	418085	○

● Available from stock ○ On request: Tool is available, delivery at short notice

Merkel Omegat OMK-S

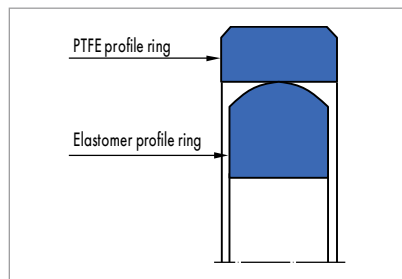


Fig. 1 Merkel Omegat OMK-S

Product description

Two-piece Merkel seal set for sealing pistons consisting of one PTFE profile ring and one elastomer profile ring as a pre-load component. The seal set is designed for heavy duty hydraulic applications.

Product advantages

The Merkel Omegat OMK-S can be used where a piston has pressure on both sides and is designed especially for large diameters

- Very high resistance to pressure
- Design prevents twisting
- Very good protection against extrusion
- High resistance to abrasion
- Good thermal conductivity
- Low friction, free of stick-slip
- High contact pressure due to elastomer profile ring.

Application

Injection moulding machines, manipulators, mills, steel hydraulics engineering, marine hydraulics, presses, large cylinders.

Material

PTFE profile ring

Material	Code
PTFE bronze compound	PTFE B602
PTFE glass MoS ₂ compound	PTFE GM201

Elastomer profile ring

Material	Code	Hardness
Nitrile rubber NBR	80 NBR B246	80 Shore A

Operating conditions

Material	PTFE B602/ 70 NBR B246	PTFE GM201/ 80 NBR B246
	Temperature range in °C	
Hydraulic oils HL, HLP	-30 ... +100	-30 ... +100
HFA fluids	-	+5 ... +60
HFB fluids	-	+5 ... +60
HFC fluids	-	-30 ... +60
HFD fluids	-	-
Water	-	+5 ... +100
HETG (rapeseed oil)	-30 ... +80	-30 ... +80
HEES (synthetic esters)	-30 ... +80	-30 ... +80
HEPG (glycol)	-30 ... +60	-30 ... +60
Mineral greases	-30 ... +100	-30 ... +100
Pressure p in MPa	40	
Running speed v in m/s	5	

Surface quality

Surface roughness	R _a	R _{max}
Sliding surface	0,05 ... 0,3 µm	≤2,5 µm
Groove base	≤1,6 µm	≤6,3 µm
Groove flanks	≤3,0 µm	≤15,0 µm

Percentage contact area M_r >50% to max. 90% at cutting depth c = Rz/2 and reference line C ref = 0%.

Design notes

Please observe our general design notes in → Technical Manual.

Gap dimension

The largest gap dimension occurring on the non-pressurised side of the seal in operation is of vital importance for the function of the seal. → Technical Manual.

Profile		Max. permissible gap dimension			
L	Profile	16 MPa	26 MPa	32 MPa	40 MPa
10,0	10,0	0,60	0,50	0,40	0,40
12,5	12,5	0,75	0,65	0,55	0,50
15,0	15,0	0,75	0,65	0,55	0,50
17,5	17,5	0,75	0,65	0,55	0,50
20,0	20,0	0,80	0,70	0,60	0,55

Tolerance recommendation and dimension d2

The admissible gap width, tolerances, guide play and deflection of the guide under load are to be taken into account when designing d2. → Technical Manual.

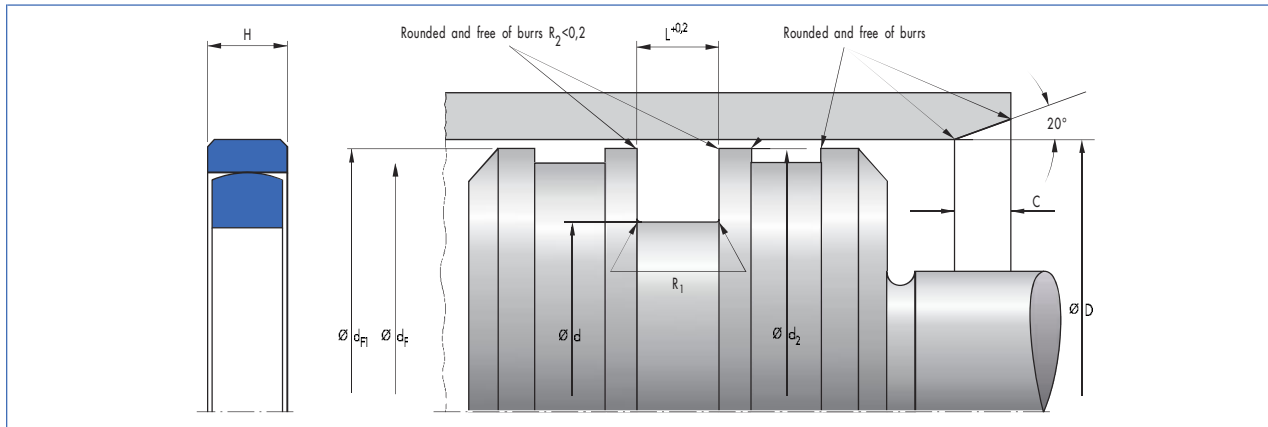
Tolerance recommendations – for non-metallic guides

16 MPa			26 MPa			32 MPa			40 MPa		
Nominal Ø D	D	d	Nominal Ø D	D	d	Nominal Ø D	D	d	Nominal Ø D	D	d
100 ... 500	H8	h8	100 ... 500	H8	h8	100 ... 500	H8	h8	100 ... 500	H8	h8
>500 ... 1000	H8	h8	>500 ... 1000	H8	h8	>500 ... 1000	H8	h8	>500 ... 1000	H7	h7

Fitting & installation

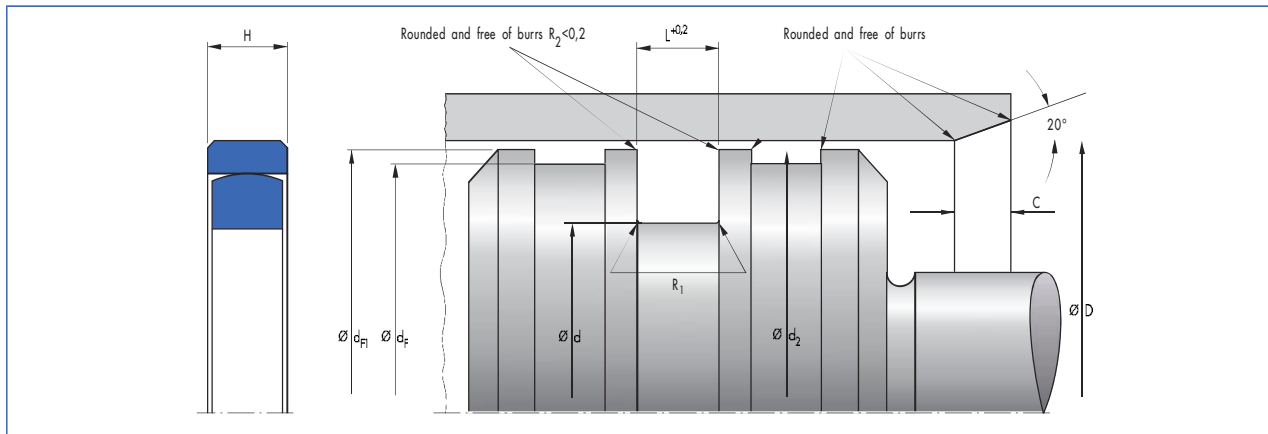
Careful fitting is a prerequisite for the correct function of the seal.
→ Technical Manual.

Article list



D	d	H	L	Profile	C	R ₁	Material	Article No.	
55	40	7,2	10	7,5	7,5	0,4	PTFE GM201	24096097	○
60	45	7,2	10	7,5	7,5	0,4	PTFE GM201	24096100	○
70	55	7,2	10	7,5	7,5	0,4	PTFE GM201	24096102	○
80	60	9,6	10	10	7,5	0,4	PTFE GM201	24096103	●
90	70	9,6	10	10	7,5	0,4	PTFE GM201	24360341	○
100	80	9,6	10	10	7,5	0,4	PTFE GM201	24096105	●
110	90	9,6	10	10	7,5	0,4	PTFE GM201	24371157	○
115	95	9,6	10	10	7,5	0,4	PTFE GM201	24096107	●
120	100	9,6	10	10	7,5	0,4	PTFE GM201	24088300	○
125	105	9,6	10	10	7,5	0,4	PTFE GM201	24096108	●
130	110	9,6	10	10	7,5	0,4	PTFE GM201	24090826	○
140	120	9,6	10	10	7,5	0,4	PTFE GM201	24096109	●
140	120	9,6	10	10	7,5	0,4	PTFE GM201	24353223	○
150	125	12,1	12,5	12,5	10	0,4	PTFE GM201	24090827	●
160	135	12,1	12,5	12,5	10	0,4	PTFE GM201	24096110	○
165	140	12,1	12,5	12,5	10	0,4	PTFE GM201	24237355	○
170	145	12,1	12,5	12,5	10	0,4	PTFE GM201	24090828	○
180	155	12,1	12,5	12,5	10	0,4	PTFE GM201	24083159	●
185	160	12,1	12,5	12,5	10	0,4	PTFE GM201	24237361	○
190	165	12,1	12,5	12,5	10	0,4	PTFE GM201	24096111	○
200	175	12,1	12,5	12,5	10	0,4	PTFE GM201	24096112	●
205	180	12,1	12,5	12,5	10	0,4	PTFE GM201	24263860	○
210	185	12,1	12,5	12,5	10	0,4	PTFE GM201	24142938	●
215	190	12,1	12,5	12,5	10	0,4	PTFE GM201	24240809	○
220	195	12,1	12,5	12,5	10	0,4	PTFE GM201	24096113	●
225	200	12,1	12,5	12,5	10	0,4	PTFE GM201	49000416	○
230	205	12,1	12,5	12,5	10	0,4	PTFE GM201	24224701	○
235	210	12,1	12,5	12,5	10	0,4	PTFE GM201	24292289	○
240	215	12,1	12,5	12,5	10	0,4	PTFE GM201	24224705	○
245	215	14,5	15	15	12	0,8	PTFE GM201	24214298	○
250	220	14,5	15	15	12	0,8	PTFE GM201	24096114	●
260	230	14,5	15	15	12	0,8	PTFE GM201	24129020	●
270	240	14,5	15	15	12	0,8	PTFE GM201	24214997	●
275	245	14,5	15	15	12	0,8	PTFE GM201	24224541	○
280	250	14,5	15	15	12	0,8	PTFE GM201	24075829	●

● Available from stock ○ On request: Tool is available, delivery at short notice



D	d	H	L	Profile	C	R ₁	Material	Article No.	
285	255	14,5	15	15	12	0,8	PTFE GM201	24215698	○
290	260	14,5	15	15	12	0,8	PTFE GM201	24224702	○
300	270	14,5	15	15	12	0,8	PTFE GM201	24064404	●
305	275	14,5	15	15	12	0,8	PTFE GM201	24199259	○
310	280	14,5	15	15	12	0,8	PTFE GM201	24136342	●
320	290	14,5	15	15	12	0,8	PTFE GM201	24096115	●
325	295	14,5	15	15	12	0,8	PTFE GM201	24250595	○
327,5	297,5	14,5	15	15	12	0,8	PTFE B602	24349382	○
330	300	14,5	15	15	12	0,8	PTFE GM201	24137235	●
335	305	14,5	15	15	12	0,8	PTFE GM201	24235222	○
340	310	14,5	15	15	12	0,8	PTFE GM201	24075894	●
340	310	14,5	15	15	12	0,8	PTFE B602	24378518	○
350	320	14,5	15	15	12	0,8	PTFE GM201	24141407	●
355	325	14,5	15	15	12	0,8	PTFE GM201	24214995	○
360	330	14,5	15	15	12	0,8	PTFE GM201	24096116	●
370	340	14,5	15	15	12	0,8	PTFE GM201	24193346	○
380	350	14,5	15	15	12	0,8	PTFE GM201	24129082	●
390	360	14,5	15	15	12	0,8	PTFE GM201	24175268	●
400	370	14,5	15	15	12	0,8	PTFE GM201	24096117	●
455	420	17	17,5	17,5	12	1,2	PTFE GM201	24235223	○
460	425	17	17,5	17,5	12	1,2	PTFE GM201	24090834	○
460	430	14,5	15	15	12	1,2	PTFE GM201	24373069	○
470	435	17	17,5	17,5	12	1,2	PTFE GM201	24261687	○
475	440	17	17,5	17,5	12	1,2	PTFE B602	528872	○
510	475	17	17,5	17,5	12	1,2	PTFE GM201	24357906	○
520	485	17	17,5	17,5	12	1,2	PTFE GM201	24179374	○
530	495	17	17,5	17,5	12	1,2	PTFE GM201	24195593	○
540	505	17	17,5	17,5	12	1,2	PTFE GM201	24090835	○
550	515	17	17,5	17,5	12	1,2	PTFE GM201	24135192	●
560	525	17	17,5	17,5	12	1,2	PTFE GM201	24108716	○
565	530	17	17,5	17,5	12	1,2	PTFE GM201	24227409	○
570	535	17	17,5	17,5	12	1,2	PTFE GM201	24127145	●
580	545	17	17,5	17,5	12	1,2	PTFE GM201	24215675	○
590	555	17	17,5	17,5	12	1,2	PTFE GM201	24144379	○
600	565	17	17,5	17,5	12	1,2	PTFE GM201	24224706	●
610	575	17	17,5	17,5	12	1,2	PTFE GM201	24224709	○
620	585	17	17,5	17,5	12	1,2	PTFE GM201	24191196	●

● Available from stock ○ On request: Tool is available, delivery at short notice

D	d	H	L	Profile	C	R ₁	Material	Article No.	
630	595	17	17,5	17,5	12	1,2	PTFE GM201	24139430	○
640	605	17	17,5	17,5	12	1,2	PTFE GM201	24224708	○
650	615	17	17,5	17,5	12	1,2	PTFE GM201	24224711	○
655	620	17	17,5	17,5	12	1,2	PTFE GM201	49015993	○
660	625	17	17,5	17,5	12	1,2	PTFE GM201	24214031	○
670	635	17	17,5	17,5	12	1,2	PTFE GM201	24224714	○
680	645	17	17,5	17,5	12	1,2	PTFE GM201	24224724	○
690	655	17	17,5	17,5	12	1,2	PTFE GM201	24224729	○
700	665	17	17,5	17,5	12	1,2	PTFE GM201	24143108	○
710	675	17	17,5	17,5	12	1,2	PTFE GM201	24188274	○
720	685	17	17,5	17,5	12	1,2	PTFE GM201	24178331	○
730	695	17	17,5	17,5	12	1,2	PTFE GM201	24224726	○
740	705	17	17,5	17,5	12	1,2	PTFE GM201	24224731	○
750	715	17	17,5	17,5	12	1,2	PTFE GM201	24191361	○
770	730	19,5	20	20	15	1,2	PTFE GM201	24146978	○
775	735	19,5	20	20	15	1,2	PTFE GM201	24377268	○
780	740	19,5	20	20	15	1,2	PTFE GM201	24224727	○
800	760	19,5	20	20	15	1,2	PTFE GM201	24149064	○
820	780	19,5	20	20	15	1,2	PTFE GM201	24179588	○
830	790	19,5	20	20	15	1,2	PTFE GM201	24224717	○
840	800	19,5	20	20	15	1,2	PTFE GM201	24194420	○
850	810	19,5	20	20	15	1,2	PTFE GM201	24193103	○
855	815	19,5	20	20	15	1,2	PTFE GM201	24239928	○
870	830	19,5	20	20	15	1,2	PTFE GM201	24358273	○
880	840	19,5	20	20	15	1,2	PTFE GM201	24188752	○
890	850	19,5	20	20	15	1,2	PTFE GM201	24192177	○
900	860	19,5	20	20	15	1,2	PTFE GM201	24140132	○
920	880	19,5	20	20	15	1,2	PTFE GM201	24224723	○
930	890	19,5	20	20	15	1,2	PTFE GM201	49011296	○
940	900	19,5	20	20	15	1,2	PTFE GM201	24234404	○
950	910	19,5	20	20	15	1,2	PTFE GM201	24224728	○
965	925	19,5	20	20	15	1,2	PTFE GM201	24128975	●
980	940	19,5	20	20	15	1,2	PTFE GM201	24224716	○
1000	960	19,5	20	20	15	1,2	PTFE GM201	24132056	●
1050	1010	19,5	20	20	15	1,2	PTFE GM201	24343584	●
1090	1050	19,5	20	20	15	1,2	PTFE GM201	530622	○
1100	1060	19,5	20	20	15	1,2	PTFE GM201	24217067	○
1120	1080	19,5	20	20	15	1,2	PTFE GM201	24224715	○
1140	1100	19,5	20	20	15	1,2	PTFE GM270	24182638	○
1160	1120	19,5	20	20	15	1,2	PTFE GM201	49002143	○
1180	1140	19,5	20	20	15	1,2	PTFE GM270	24361419	○

● Available from stock ○ On request: Tool is available, delivery at short notice

Merkel Omegat OMK-MR

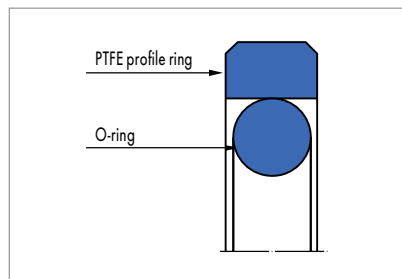


Fig. 1 Merkel Omegat OMK-MR

Product description

Two-piece Merkel seal set for sealing pistons, consisting of one PTFE profile ring and an O-ring as a pre-load component.

Product advantages

Merkel Omegat OMK-MR is used where a piston has pressure on both sides. OMK-MR is provided with pressure-compensation grooves for rapid pressure change

- Very high resistance to pressure and hardness
- Good thermal conductivity
- Very good protection against extrusion
- High resistance to abrasion
- Low friction, free of stick-slip.

Application

Presses, agricultural machinery, injection moulding machines, mills, marine hydraulics, industrial vehicles, cranes, handling equipment, control and regulation equipment.

Material

PTFE profile ring

Material	Code
PTFE bronze compound	PTFE B602
PTFE glass MoS ₂ compound	PTFE GM201

O-ring

Material	Code	Hardness
NBR	70 NBR B276	70 Shore A
FKM	70 FKM K655	70 Shore A

Operating conditions

Material	PTFE B602/ 70 NBR B276	PTFE B602/ 70 NBR B276	PTFE B602/ 70 FKM K655
	Temperature range in °C		
Hydraulic oils HL, HLP	-30 ... +100	-30 ... +100	-10 ... +200
HFA fluids	-	-	-
HFB fluids	-	-	-
HFC fluids	-	-	-
HFD fluids	-	-	-10 ... +200
Water	-	-	-
HETG (rapeseed oil)	-30 ... +80	-30 ... +80	-10 ... +80
HEES (synthetic esters)	-30 ... +80	-30 ... +80	-10 ... +100
HEPG (glycol)	-30 ... +60	-30 ... +60	-10 ... +80
Mineral greases	-30 ... +100	-30 ... +100	-10 ... +200
Pressure p in MPa	40		
Running speed v in m/s	5		

Surface quality

Surface roughness	R _a	R _{max}
Sliding surface	0,05 ... 0,3 µm	≤2,5 µm
Groove base	≤1,6 µm	≤6,3 µm
Groove flanks	≤3,0 µm	≤15,0 µm

Percentage contact area M_r >50% up to max. 90% at cutting depth c = Rz/2 and reference line C ref = 0%.

Design notes

Please observe our general design notes in → Technical Manual.

Gap dimension

The largest gap dimension occurring on the non-pressurised side of the seal in operation is of vital importance for the function of the seal. → Technical Manual.

Profile		Max. permissible gap dimension			
L	Profile	16 MPa	26 MPa	32 MPa	40 MPa
2,2	2,45	0,35	0,30	–	–
3,2	3,75	0,40	0,35	–	–
4,2	5,50	0,50	0,40	0,30	–
6,3	7,75	0,55	0,45	0,40	0,35
8,1	10,50	0,60	0,50	0,45	0,45
8,1	12,25	0,70	0,60	0,55	0,50
9,5	14,00	0,75	0,65	0,60	0,50

Tolerance recommendation and dimension d2

The admissible gap width, tolerances, guide play and deflection of the guide under load are to be taken into account when designing d2. → Technical Manual.

Tolerance recommendations – for non-metallic guides

Nominal Ø D	Profile	16 MPa		26 MPa		32 MPa		40 MPa	
		D	d	D	d	D	d	D	d
<40	2,45 ... 3,75	H8	h9	H8	h9	–	–	–	–
<100	5,50	H8	h8	H8	h8	H8	h8	–	–
<500	7,75 ... 12,25	H8	h8	H8	h8	H8	h8	H8	h8
<660	12,25	H8	h7	H8	h7	H8	h7	H7	h7
<1100	12,25 ... 14,0	H8	h7	H8	h7	H7	h7	H7	h7

Regard must be paid to the dimensions d1 and dF in connection with the guide element used.

Material selection table

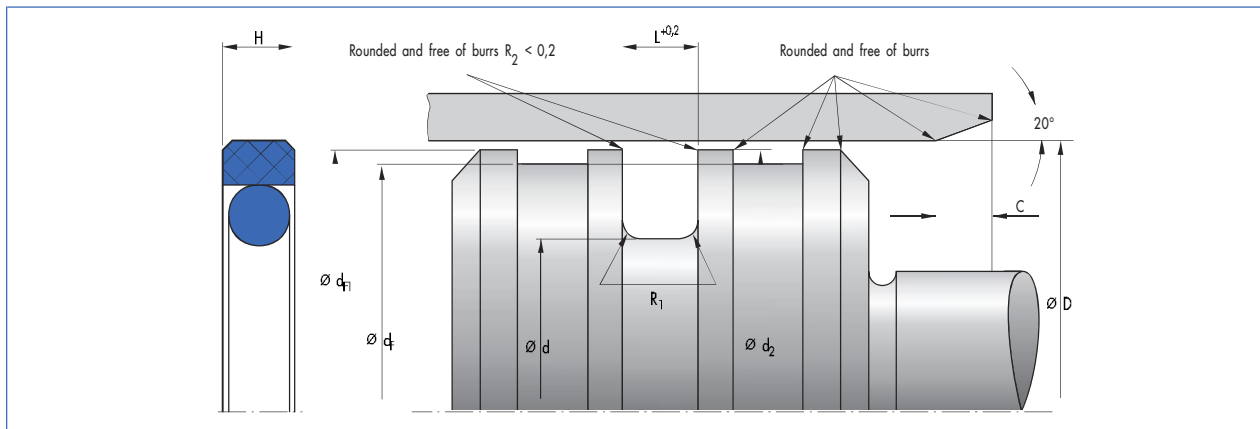
	PTFE M201/ 70 NBR B276 (PTFE Glass-MoS ₂ / NBR)	PTFE B602/ 70 NBR B276 (PTFE bronze/ NBR)	PTFE B602/ 70 FKM K655 (PTFE bronze/ FKM)
Oil hydraulics –30 ... +100 °C	●	●	○
Oil hydraulics –10 ... +200 °C	○	○	●
Short stroke, high frequency	●	○	○
Water hydraulics	●	○	○
Soft counterface	●	○	○

● = suitable; ◐ = possible; ○ = not suitable

Fitting & installation

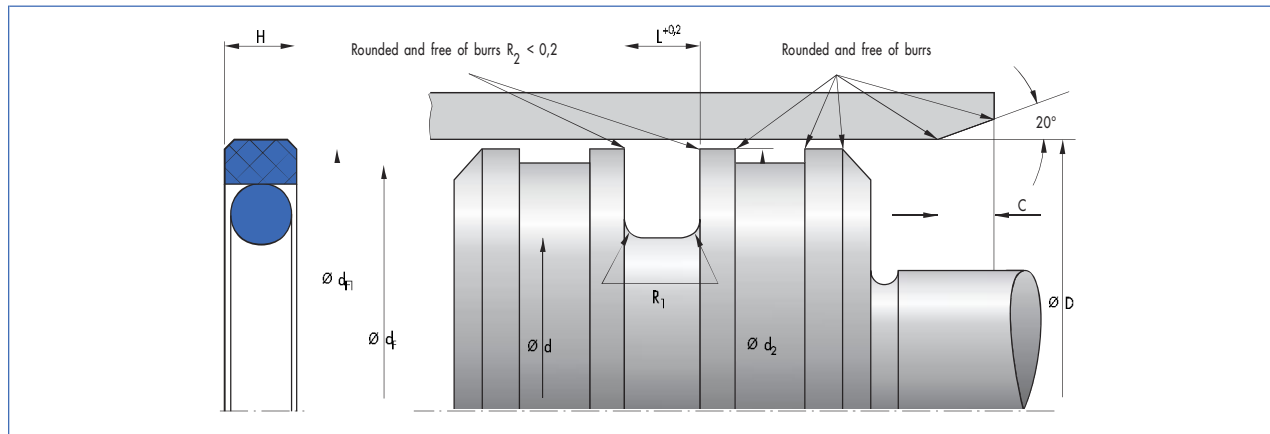
Careful fitting is a prerequisite for the correct function of the seal.
→ Technical Manual.

Article list



D	d	H	L	Profile	C	R ₁	Material	Article No.	
8	3,1	2	2,2	2,45	3	0,3	PTFE GM201 / NBR	24213518	○
8	3,1	2	2,2	2,45	3	0,3	PTFE B602 / NBR	24213753	○
8	3,1	2	2,2	2,45	3	0,3	PTFE B602 / FKM	24348353	○
10	5,1	2	2,2	2,45	3	0,3	PTFE GM201 / NBR	24213519	○
10	5,1	2	2,2	2,45	3	0,3	PTFE B602 / NBR	24213755	●
10	5,1	2	2,2	2,45	3	0,3	PTFE B602 / FKM	24330049	○
12	7,1	2	2,2	2,45	3	0,3	PTFE GM201 / NBR	24213520	○
12	7,1	2	2,2	2,45	3	0,3	PTFE B602 / NBR	24213757	●
12	7,1	2	2,2	2,45	3	0,3	PTFE B602 / FKM	24237996	○
15	7,5	3	3,2	3,75	4,5	0,5	PTFE GM201 / NBR	24213521	○
15	7,5	3	3,2	3,75	4,5	0,5	PTFE B602 / NBR	24213759	●
15	7,5	3	3,2	3,75	4,5	0,5	PTFE B602 / FKM	24348843	○
16	8,5	3	3,2	3,75	4,5	0,5	PTFE GM201 / NBR	24208135	○
16	8,5	3	3,2	3,75	4,5	0,5	PTFE B602 / NBR	24213761	●
16	8,5	3	3,2	3,75	4,5	0,5	PTFE B602 / FKM	24260916	○
18	10,5	3	3,2	3,75	4,5	0,5	PTFE GM201 / NBR	24213522	●
18	10,5	3	3,2	3,75	4,5	0,5	PTFE B602 / NBR	24213763	●
18	10,5	3	3,2	3,75	4,5	0,5	PTFE B602 / FKM	24348354	○
20	12,5	3	3,2	3,75	4,5	0,5	PTFE GM201 / NBR	24131850	●
20	12,5	3	3,2	3,75	4,5	0,5	PTFE B602 / NBR	24178456	●
20	12,5	3	3,2	3,75	4,5	0,5	PTFE B602 / FKM	24348355	○
22	14,5	3	3,2	3,75	4,5	0,5	PTFE GM201 / NBR	24131851	●
22	14,5	3	3,2	3,75	4,5	0,5	PTFE B602 / NBR	24178457	●
22	14,5	3	3,2	3,75	4,5	0,5	PTFE B602 / FKM	24257623	○
25	17,5	3	3,2	3,75	4,5	0,5	PTFE GM201 / NBR	24131852	●
25	17,5	3	3,2	3,75	4,5	0,5	PTFE B602 / NBR	24178458	●
25	17,5	3	3,2	3,75	4,5	0,5	PTFE B602 / FKM	24258030	○
28	20,5	3	3,2	3,75	4,5	0,5	PTFE GM201 / NBR	24131853	●
28	20,5	3	3,2	3,75	4,5	0,5	PTFE B602 / NBR	24178459	●
28	20,5	3	3,2	3,75	4,5	0,5	PTFE B602 / FKM	24348377	○
30	22,5	3	3,2	3,75	4,5	0,5	PTFE GM201 / NBR	24131854	●
30	22,5	3	3,2	3,75	4,5	0,5	PTFE B602 / NBR	24178460	●
30	22,5	3	3,2	3,75	4,5	0,5	PTFE B602 / FKM	24300913	○
32	24,5	3	3,2	3,75	4,5	0,5	PTFE GM201 / NBR	24102892	●
32	24,5	3	3,2	3,75	4,5	0,5	PTFE B602 / NBR	24178461	●

● Available from stock ○ On request: Tool is available, delivery at short notice

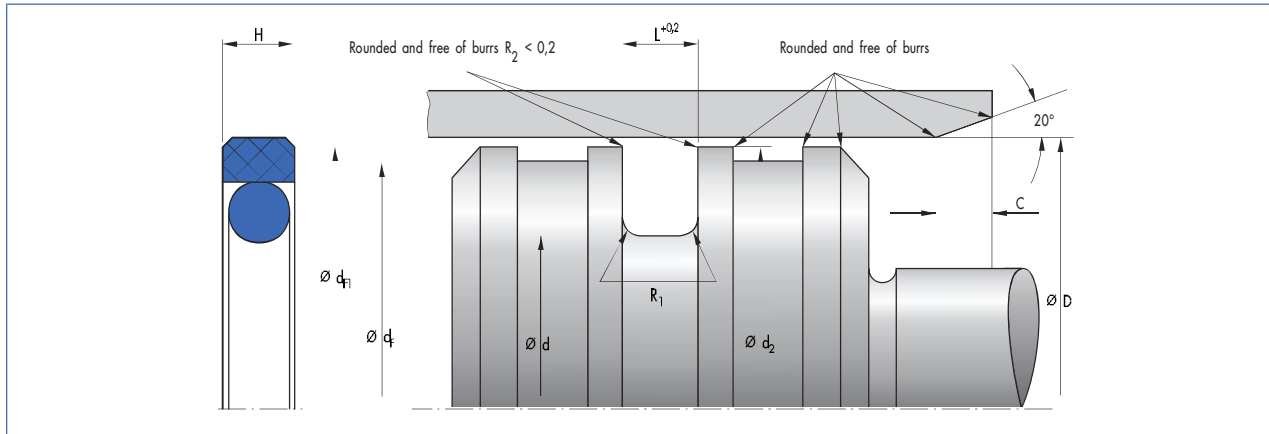


D	d	H	L	Profile	C	R ₁	Material	Article No.	
32	24,5	3	3,2	3,75	4,5	0,5	PTFE B602 / FKM	24257477	○
35	27,5	3	3,2	3,75	4,5	0,5	PTFE GM201 / NBR	24106354	●
35	27,5	3	3,2	3,75	4,5	0,5	PTFE B602 / NBR	24178462	●
35	27,5	3	3,2	3,75	4,5	0,5	PTFE B602 / FKM	24300835	○
36	28,5	3	3,2	3,75	4,5	0,5	PTFE GM201 / NBR	24131855	○
36	28,5	3	3,2	3,75	4,5	0,5	PTFE B602 / NBR	24178463	●
36	28,5	3	3,2	3,75	4,5	0,5	PTFE B602 / FKM	24348357	○
40	29	4	4,2	5,5	6	0,8	PTFE GM201 / NBR	24106357	●
40	29	4	4,2	5,5	6	0,8	PTFE B602 / NBR	24178464	●
40	29	4	4,2	5,5	6	0,8	PTFE B602 / FKM	24260917	●
42	31	4	4,2	5,5	6	0,8	PTFE GM201 / NBR	24131856	●
42	31	4	4,2	5,5	6	0,8	PTFE B602 / NBR	24178465	●
42	31	4	4,2	5,5	6	0,8	PTFE B602 / FKM	24306482	○
45	34	4	4,2	5,5	6	0,8	PTFE GM201 / NBR	24108643	●
45	34	4	4,2	5,5	6	0,8	PTFE B602 / NBR	24178466	●
45	34	4	4,2	5,5	6	0,8	PTFE B602 / FKM	24348358	●
50	39	4	4,2	5,5	6	0,8	PTFE GM201 / NBR	24109476	●
50	39	4	4,2	5,5	6	0,8	PTFE B602 / NBR	24178467	●
50	39	4	4,2	5,5	6	0,8	PTFE B602 / FKM	24246484	●
55	44	4	4,2	5,5	6	0,8	PTFE GM201 / NBR	24131857	●
55	44	4	4,2	5,5	6	0,8	PTFE B602 / NBR	24178468	●
55	44	4	4,2	5,5	6	0,8	PTFE B602 / FKM	24260918	○
56	45	4	4,2	5,5	6	0,8	PTFE GM201 / NBR	24131858	○
56	45	4	4,2	5,5	6	0,8	PTFE B602 / NBR	24178469	●
60	49	4	4,2	5,5	6	0,8	PTFE GM201 / NBR	24131859	●
60	49	4	4,2	5,5	6	0,8	PTFE B602 / NBR	24178470	●
60	49	4	4,2	5,5	6	0,8	PTFE B602 / FKM	24288831	○
63	52	4	4,2	5,5	6	0,8	PTFE GM201 / NBR	24123140	●
63	52	4	4,2	5,5	6	0,8	PTFE B602 / NBR	24178471	●
63	52	4	4,2	5,5	6	0,8	PTFE B602 / FKM	24263382	○
65	54	4	4,2	5,5	6	0,8	PTFE GM201 / NBR	24104068	●
65	54	4	4,2	5,5	6	0,8	PTFE B602 / NBR	24191950	●
65	54	4	4,2	5,5	6	0,8	PTFE B602 / FKM	24348360	○
70	54,5	5,9	6,3	7,75	8	1,2	PTFE GM201 / NBR	24131887	●
70	54,5	5,9	6,3	7,75	8	1,2	PTFE B602 / NBR	24213778	●
70	54,5	5,9	6,3	7,75	8	1,2	PTFE B602 / FKM	24332341	○
70	59	4	4,2	5,5	6	0,8	PTFE GM201 / NBR	24131860	●

● Available from stock ○ On request: Tool is available, delivery at short notice

D	d	H	L	Profile	C	R ₁	Material	Article No.	
70	59	4	4,2	5,5	6	0,8	PTFE B602 / NBR	24213776	●
70	59	4	4,2	5,5	6	0,8	PTFE B602 / FKM	24348379	●
75	59,5	5,9	6,3	7,75	8	1,2	PTFE GM201 / NBR	24213523	●
75	59,5	5,9	6,3	7,75	8	1,2	PTFE B602 / NBR	24213782	●
75	59,5	5,9	6,3	7,75	8	1,2	PTFE B602 / FKM	24348378	○
75	64	4	4,2	5,5	6	0,8	PTFE GM201 / NBR	24145486	○
75	64	4	4,2	5,5	6	0,8	PTFE B602 / NBR	24213780	●
75	64	4	4,2	5,5	6	0,8	PTFE B602 / FKM	24348361	○
80	59	7,7	8,1	10,5	10,5	2	PTFE GM201 / NBR	24131888	●
80	59	7,7	8,1	10,5	10,5	2	PTFE B602 / NBR	24213784	●
80	64,5	5,9	6,3	7,75	8	1,2	PTFE GM201 / NBR	24101263	●
80	64,5	5,9	6,3	7,75	8	1,2	PTFE B602 / NBR	24178473	●
80	64,5	5,9	6,3	7,75	8	1,2	PTFE B602 / FKM	24258031	●
85	64	7,7	8,1	10,5	10,5	2	PTFE GM201 / NBR	24213524	○
85	64	7,7	8,1	10,5	10,5	2	PTFE B602 / NBR	24213786	●
85	64	7,7	8,1	10,5	10,5	2	PTFE B602 / FKM	24348842	○
85	69,5	5,9	6,3	7,75	8	1,2	PTFE B602 / NBR	24213788	●
85	69,5	5,9	6,3	7,75	8	1,2	PTFE GM201 / NBR	24223623	○
85	69,5	5,9	6,3	7,75	8	1,2	PTFE B602 / FKM	24348873	○
90	69	7,7	8,1	10,5	10,5	2	PTFE GM201 / NBR	24131889	●
90	69	7,7	8,1	10,5	10,5	2	PTFE B602 / NBR	24213790	●
90	69	7,7	8,1	10,5	10,5	2	PTFE B602 / FKM	24348872	○
90	74,5	5,9	6,3	7,75	8	1,2	PTFE GM201 / NBR	24131861	●
90	74,5	5,9	6,3	7,75	8	1,2	PTFE B602 / NBR	24178474	●
90	74,5	5,9	6,3	7,75	8	1,2	PTFE B602 / FKM	24315179	●
95	74	7,7	8,1	10,5	10,5	2	PTFE GM201 / NBR	24075603	○
95	74	7,7	8,1	10,5	10,5	2	PTFE B602 / NBR	24213792	○
95	74	7,7	8,1	10,5	10,5	2	PTFE B602 / FKM	24348837	○
95	79,5	5,9	6,3	7,75	8	1,2	PTFE GM201 / NBR	24199482	○
95	79,5	5,9	6,3	7,75	8	1,2	PTFE B602 / FKM	24266812	○
95	79,5	5,9	6,3	7,75	8	1,2	PTFE B602 / NBR	24213794	●
100	79	7,7	8,1	10,5	10,5	2	PTFE GM201 / NBR	24077512	●
100	79	7,7	8,1	10,5	10,5	2	PTFE B602 / NBR	24213796	●
100	79	7,7	8,1	10,5	10,5	2	PTFE B602 / FKM	24348838	○
100	84,5	5,9	6,3	7,75	8	1,2	PTFE GM201 / NBR	24107904	●
100	84,5	5,9	6,3	7,75	8	1,2	PTFE B602 / NBR	24178475	●
100	84,5	5,9	6,3	7,75	8	1,2	PTFE B602 / FKM	24257247	●
100	89	4	4,2	5,5	6	0,8	PTFE B602 / NBR	24259017	○
100	89	4	4,2	5,5	6	0,8	PTFE GM201 / NBR	24328829	○
105	89,5	5,9	6,3	7,75	8	1,2	PTFE GM201 / NBR	24187281	○
105	89,5	5,9	6,3	7,75	8	1,2	PTFE B602 / NBR	24213798	●
105	89,5	5,9	6,3	7,75	8	1,2	PTFE B602 / FKM	24348381	○
110	89	7,7	8,1	10,5	10,5	2	PTFE GM201 / NBR	24077514	○
110	89	7,7	8,1	10,5	10,5	2	PTFE B602 / NBR	24213802	●
110	89	7,7	8,1	10,5	10,5	2	PTFE B602 / FKM	24348380	○
110	94,5	5,9	6,3	7,75	8	1,2	PTFE GM201 / NBR	24131862	●
110	94,5	5,9	6,3	7,75	8	1,2	PTFE B602 / NBR	24178476	●
110	94,5	5,9	6,3	7,75	8	1,2	PTFE B602 / FKM	24337969	○
115	94	7,7	8,1	10,5	10,5	2	PTFE GM201 / NBR	24131890	○
115	94	7,7	8,1	10,5	10,5	2	PTFE B602 / NBR	24193795	●

● Available from stock ○ On request: Tool is available, delivery at short notice

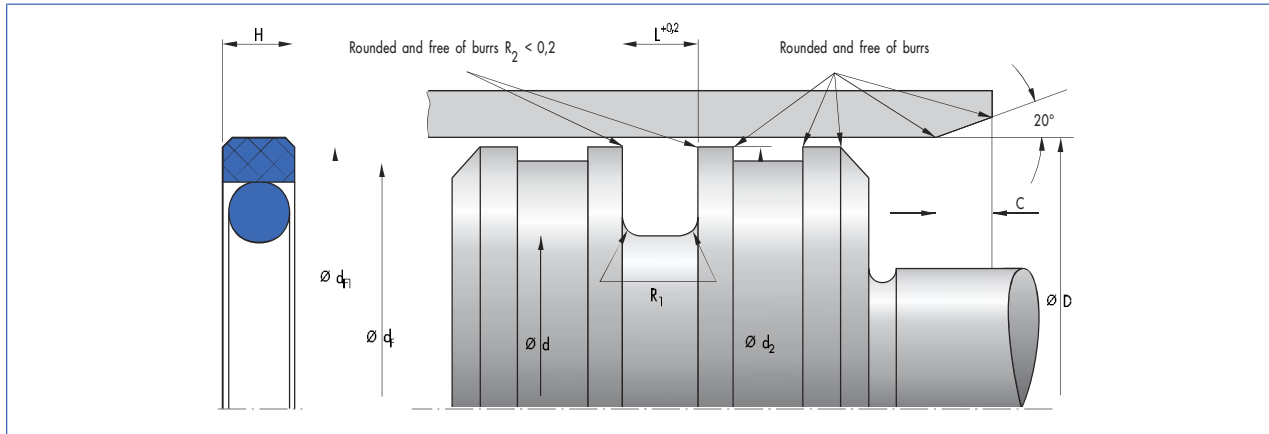


D	d	H	L	Profile	C	R ₁	Material	Article No.	
115	94	7,7	8,1	10,5	10,5	2	PTFE B602 / 0	24348874	○
115	99,5	5,9	6,3	7,75	8	1,2	PTFE GM201 / NBR	24131863	●
115	99,5	5,9	6,3	7,75	8	1,2	PTFE B602 / NBR	24178477	●
115	99,5	5,9	6,3	7,75	8	1,2	PTFE B602 / FKM	24348382	○
120	99	7,7	8,1	10,5	10,5	2	PTFE GM201 / NBR	24199999	○
120	99	7,7	8,1	10,5	10,5	2	PTFE B602 / NBR	24213807	●
120	99	7,7	8,1	10,5	10,5	2	PTFE B602 / FKM	24348875	○
120	104,5	5,9	6,3	7,75	8	1,2	PTFE GM201 / NBR	24186464	●
120	104,5	5,9	6,3	7,75	8	1,2	PTFE B602 / NBR	24213805	●
120	104,5	5,9	6,3	7,75	8	1,2	PTFE B602 / FKM	24348383	○
125	104	7,7	8,1	10,5	10,5	2	PTFE GM201 / NBR	24093346	●
125	104	7,7	8,1	10,5	10,5	2	PTFE B602 / NBR	24213809	●
125	104	7,7	8,1	10,5	10,5	2	PTFE B602 / FKM	24340950	○
125	109,5	5,9	6,3	7,75	8	1,2	PTFE GM201 / NBR	24109478	●
125	109,5	5,9	6,3	7,75	8	1,2	PTFE B602 / NBR	24178478	●
125	109,5	5,9	6,3	7,75	8	1,2	PTFE B602 / FKM	24245799	●
130	109	7,7	8,1	10,5	10,5	2	PTFE GM201 / NBR	24077517	○
130	109	7,7	8,1	10,5	10,5	2	PTFE B602 / NBR	24213811	●
130	109	7,7	8,1	10,5	10,5	2	PTFE B602 / FKM	24348365	○
130	114,5	5,9	6,3	7,75	8	1,2	PTFE GM201 / NBR	24145852	○
130	114,5	5,9	6,3	7,75	8	1,2	PTFE B602 / NBR	24213813	●
130	114,5	5,9	6,3	7,75	8	1,2	PTFE B602 / FKM	24348366	○
133,4	117,7	5,7	6,3	7,85	8	1,2	PTFE B602 / FKM	24375986	○
140	119	7,7	8,1	10,5	10,5	2	PTFE GM201 / NBR	24075607	●
140	119	7,7	8,1	10,5	10,5	2	PTFE B602 / NBR	24178479	●
140	119	7,7	8,1	10,5	10,5	2	PTFE B602 / FKM	24236496	●
150	129	7,7	8,1	10,5	10,5	2	PTFE GM201 / NBR	24075609	●
150	129	7,7	8,1	10,5	10,5	2	PTFE B602 / NBR	24178480	●
150	129	7,7	8,1	10,5	10,5	2	PTFE B602 / FKM	24340951	○
152,4	131,3	7,6	8,1	10,55	10,5	2	PTFE B602 / FKM	24375985	○
160	139	7,7	8,1	10,5	10,5	2	PTFE GM201 / NBR	24075673	●
160	139	7,7	8,1	10,5	10,5	2	PTFE B602 / FKM	24267553	●
160	139	7,7	8,1	10,5	10,5	2	PTFE B602 / NBR	24213816	●
170	149	7,7	8,1	10,5	10,5	2	PTFE GM201 / NBR	24131864	●
170	149	7,7	8,1	10,5	10,5	2	PTFE B602 / NBR	24179245	●
170	149	7,7	8,1	10,5	10,5	2	PTFE B602 / FKM	24340954	○
175	159,5	5,9	6,3	7,75	8	1,2	PTFE B602 / NBR	24361027	●

● Available from stock ○ On request: Tool is available, delivery at short notice

D	d	H	L	Profile	C	R ₁	Material	Article No.	
180	159	7,7	8,1	10,5	10,5	2	PTFE GM201 / NBR	24131865	●
180	159	7,7	8,1	10,5	10,5	2	PTFE B602 / NBR	24179246	●
180	159	7,7	8,1	10,5	10,5	2	PTFE B602 / FKM	24288832	●
185	164	7,7	8,1	10,5	10,5	2	PTFE B602 / NBR	24231189	●
190	169	7,7	8,1	10,5	10,5	2	PTFE GM201 / NBR	24131866	●
190	169	7,7	8,1	10,5	10,5	2	PTFE B602 / NBR	24179247	●
190	169	7,7	8,1	10,5	10,5	2	PTFE B602 / FKM	24348369	○
200	179	7,7	8,1	10,5	10,5	2	PTFE GM201 / NBR	24131867	●
200	179	7,7	8,1	10,5	10,5	2	PTFE B602 / NBR	24179248	●
200	179	7,7	8,1	10,5	10,5	2	PTFE B602 / FKM	24306875	●
210	189	7,7	8,1	10,5	10,5	2	PTFE GM201 / NBR	24138658	○
210	189	7,7	8,1	10,5	10,5	2	PTFE B602 / NBR	24236852	●
210	189	7,7	8,1	10,5	10,5	2	PTFE B602 / FKM	24348384	○
220	199	7,7	8,1	10,5	10,5	2	PTFE GM201 / NBR	24131868	●
220	199	7,7	8,1	10,5	10,5	2	PTFE B602 / FKM	24315138	●
220	199	7,7	8,1	10,5	10,5	2	PTFE B602 / NBR	24179249	●
225	204	7,7	8,1	10,5	10,5	2	PTFE GM201 / NBR	24137322	○
225	204	7,7	8,1	10,5	10,5	2	PTFE B602 / NBR	24288833	●
230	209	7,7	8,1	10,5	10,5	2	PTFE GM201 / NBR	24145853	●
230	209	7,7	8,1	10,5	10,5	2	PTFE B602 / NBR	24275475	●
230	209	7,7	8,1	10,5	10,5	2	PTFE B602 / FKM	24348385	○
240	219	7,7	8,1	10,5	10,5	2	PTFE GM201 / NBR	24107902	○
240	219	7,7	8,1	10,5	10,5	2	PTFE B602 / NBR	24191703	●
240	219	7,7	8,1	10,5	10,5	2	PTFE B602 / FKM	24348370	○
250	229	7,7	8,1	10,5	10,5	2	PTFE GM201 / NBR	24131869	●
250	229	7,7	8,1	10,5	10,5	2	PTFE B602 / NBR	24179250	●
250	229	7,7	8,1	10,5	10,5	2	PTFE B602 / FKM	24288709	●
260	239	7,7	8,1	10,5	10,5	2	PTFE B602 / NBR	24192188	●
260	239	7,7	8,1	10,5	10,5	2	PTFE GM201 / NBR	24223625	○
260	239	7,7	8,1	10,5	10,5	2	PTFE B602 / FKM	24348386	○
270	249	7,7	8,1	10,5	10,5	2	PTFE GM201 / NBR	24121481	○
270	249	7,7	8,1	10,5	10,5	2	PTFE B602 / NBR	24191949	○
270	249	7,7	8,1	10,5	10,5	2	PTFE B602 / FKM	24258180	○
280	259	7,7	8,1	10,5	10,5	2	PTFE GM201 / NBR	24120265	●
280	259	7,7	8,1	10,5	10,5	2	PTFE B602 / NBR	24179251	●
280	259	7,7	8,1	10,5	10,5	2	PTFE B602 / FKM	24340952	○
290	269	7,7	8,1	10,5	10,5	2	PTFE B602 / NBR	24275526	○
290	269	7,7	8,1	10,5	10,5	2	PTFE GM201 / NBR	24275640	○
290	269	7,7	8,1	10,5	10,5	2	PTFE B602 / FKM	24348372	○
300	279	7,7	8,1	10,5	10,5	2	PTFE GM201 / NBR	24179922	○
300	279	7,7	8,1	10,5	10,5	2	PTFE B602 / NBR	24213824	●
300	279	7,7	8,1	10,5	10,5	2	PTFE B602 / FKM	24266419	○
310	289	7,7	8,1	10,5	10,5	2	PTFE GM201 / NBR	24248946	○
310	289	7,7	8,1	10,5	10,5	2	PTFE B602 / NBR	24251064	●
310	289	7,7	8,1	10,5	10,5	2	PTFE B602 / FKM	24348840	○
320	299	7,7	8,1	10,5	10,5	2	PTFE GM201 / NBR	24131870	○
320	299	7,7	8,1	10,5	10,5	2	PTFE B602 / NBR	24179252	●
320	299	7,7	8,1	10,5	10,5	2	PTFE B602 / FKM	24288835	●
330	305,5	7,7	8,1	12,25	12	2	PTFE GM201 / NBR	24105259	●
330	305,5	7,7	8,1	12,25	12	2	PTFE B602 / NBR	24275529	●

● Available from stock ○ On request: Tool is available, delivery at short notice

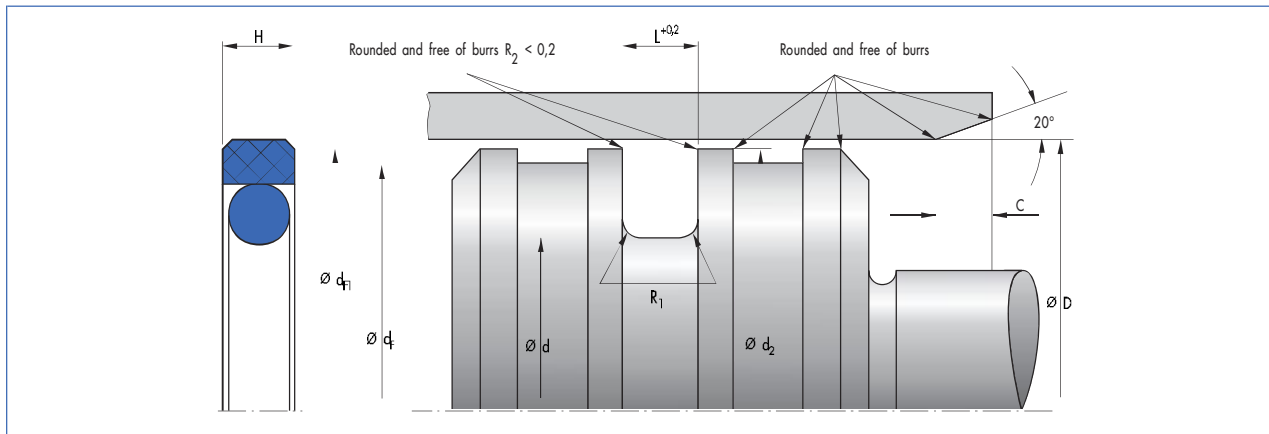


D	d	H	L	Profile	C	R ₁	Material	Article No.	
330	305,5	7,7	8,1	12,25	12	2	PTFE B602 / FKM	24348373	○
340	315,5	7,7	8,1	12,25	12	2	PTFE GM201 / NBR	24213529	○
340	315,5	7,7	8,1	12,25	12	2	PTFE B602 / NBR	24213827	●
340	315,5	7,7	8,1	12,25	12	2	PTFE B602 / FKM	24348374	●
350	325,5	7,7	8,1	12,25	12	2	PTFE GM201 / NBR	24199746	○
350	325,5	7,7	8,1	12,25	12	2	PTFE B602 / NBR	24275527	●
350	325,5	7,7	8,1	12,25	12	2	PTFE B602 / FKM	24328250	○
360	335,5	7,7	8,1	12,25	12	2	PTFE GM201 / NBR	24118300	●
360	335,5	7,7	8,1	12,25	12	2	PTFE B602 / NBR	24179253	●
360	335,5	7,7	8,1	12,25	12	2	PTFE B602 / FKM	24333319	○
370	345,5	7,7	8,1	12,25	12	2	PTFE B602 / NBR	24251062	●
370	345,5	7,7	8,1	12,25	12	2	PTFE GM201 / NBR	24275649	○
370	345,5	7,7	8,1	12,25	12	2	PTFE B602 / FKM	24348375	○
380	355,5	7,7	8,1	12	14	2	PTFE GM201 / NBR	24194142	○
380	355,5	7,7	8,1	12,25	12	2	PTFE B602 / NBR	24275530	●
380	355,5	7,7	8,1	12,25	12	2	PTFE B602 / FKM	24311133	○
390	365,5	7,7	8,1	12,25	12	2	PTFE GM201 / NBR	24145902	●
390	365,5	7,7	8,1	12,25	12	2	PTFE B602 / NBR	24275528	○
390	365,5	7,7	8,1	12,25	12	2	PTFE B602 / FKM	24348309	○
400	375,5	7,7	8,1	12,25	12	2	PTFE GM201 / NBR	24123281	●
400	375,5	7,7	8,1	12,25	12	2	PTFE B602 / NBR	24179254	●
400	375,5	7,7	8,1	12,25	12	2	PTFE B602 / FKM	24340953	○
410	385,5	7,7	8,1	12,25	12	2	PTFE GM201 / NBR	24145195	○
410	385,5	7,7	8,1	12,25	12	2	PTFE B602 / NBR	24275480	●
410	385,5	7,7	8,1	12,25	12	2	PTFE B602 / FKM	24349353	○
420	395,5	7,7	8,1	12,25	12	2	PTFE B602 / NBR	24234537	●
420	395,5	7,7	8,1	12,25	12	2	PTFE GM201 / NBR	24240756	○
420	395,5	7,7	8,1	12,25	12	2	PTFE B602 / FKM	24344111	○
430	405,5	7,7	8,1	12,25	12	2	PTFE B602 / NBR	24274578	●
430	405,5	7,7	8,1	12,25	12	2	PTFE GM201 / NBR	24275683	○
430	405,5	7,7	8,1	12,25	12	2	PTFE B602 / FKM	24349354	○
440	415,5	7,7	8,1	12,25	12	2	PTFE GM201 / NBR	24194521	○
440	415,5	7,7	8,1	12,25	12	2	PTFE B602 / NBR	24275478	●
440	415,5	7,7	8,1	12,25	12	2	PTFE B602 / FKM	24349355	○
450	425,5	7,7	8,1	12,25	12	2	PTFE B602 / NBR	24269426	●
450	425,5	7,7	8,1	12,25	12	2	PTFE GM201 / NBR	24275678	○
450	425,5	7,7	8,1	12,25	12	2	PTFE B602 / FKM	24349356	○

● Available from stock ○ On request: Tool is available, delivery at short notice

D	d	H	L	Profile	C	R ₁	Material	Article No.	
460	435,5	7,7	8,1	12,25	12	2	PTFE GM201 / NBR	24174791	○
460	435,5	7,7	8,1	12,25	12	2	PTFE B602 / NBR	24259026	●
460	435,5	7,7	8,1	12,25	12	2	PTFE B602 / FKM	24349357	○
470	445,5	7,7	8,1	12,25	12	2	PTFE B602 / NBR	24275477	○
470	445,5	7,7	8,1	12,25	12	2	PTFE GM201 / NBR	24275646	○
470	445,5	7,7	8,1	12,25	12	2	PTFE B602 / FKM	24349358	○
480	455,5	7,7	8,1	12,25	12	2	PTFE GM201 / NBR	24194143	○
480	455,5	7,7	8,1	12,25	12	2	PTFE B602 / NBR	24275483	●
480	455,5	7,7	8,1	12,25	12	2	PTFE B602 / FKM	24349359	○
490	465,5	7,7	8,1	12,25	12	2	PTFE B602 / NBR	24275479	○
490	465,5	7,7	8,1	12,25	12	2	PTFE GM201 / NBR	24275481	○
490	465,5	7,7	8,1	12,25	12	2	PTFE B602 / FKM	24328252	○
490,5	515	7,7	8,1	12,25	12	2	PTFE B602 / NBR	24344662	○
500	475,5	7,7	8,1	12,25	12	2	PTFE B602 / NBR	24268694	●
500	475,5	7,7	8,1	12,25	12	2	PTFE GM201 / NBR	24268696	○
500	475,5	7,7	8,1	12,25	12	2	PTFE B602 / FKM	24349360	○
510	485,5	7,7	8,1	12,25	12	2	PTFE B602 / NBR	24275482	○
510	485,5	7,7	8,1	12,25	12	2	PTFE GM201 / NBR	24275681	○
520	495,5	7,7	8,1	12,25	12	2	PTFE B602 / NBR	24269669	●
520	495,5	7,7	8,1	12,25	12	2	PTFE GM201 / NBR	24275655	○
520	495,5	7,7	8,1	12,25	12	2	PTFE B602 / FKM	24327515	○
530	505,5	7,7	8,1	12,25	12	2	PTFE B602 / NBR	24275489	●
530	505,5	7,7	8,1	12,25	12	2	PTFE GM201 / NBR	24275659	○
530	505,5	7,7	8,1	12,25	12	2	PTFE B602 / FKM	24349362	○
540	515,5	7,7	8,1	12,25	12	2	PTFE B602 / NBR	24275492	●
540	515,5	7,7	8,1	12,25	12	2	PTFE GM201 / NBR	24275684	○
540	515,5	7,7	8,1	12,25	12	2	PTFE B602 / FKM	24349363	○
550	525,5	7,7	8,1	12,25	12	2	PTFE B602 / NBR	24275494	○
550	525,5	7,7	8,1	12,25	12	2	PTFE GM201 / NBR	24275665	○
550	525,5	7,7	8,1	12,25	12	2	PTFE B602 / FKM	24349364	○
560	535,5	7,7	8,1	12,25	12	2	PTFE B602 / NBR	24275490	●
560	535,5	7,7	8,1	12,25	12	2	PTFE GM201 / NBR	24275667	○
560	535,5	7,7	8,1	12,25	12	2	PTFE B602 / FKM	24349365	○
570	545,5	7,7	8,1	12,25	12	2	PTFE GM201 / NBR	24275476	○
570	545,5	7,7	8,1	12,25	12	2	PTFE B602 / NBR	24275486	○
570	545,5	7,7	8,1	12,25	12	2	PTFE B602 / FKM	24349366	○
580	555,5	7,7	8,1	12,25	12	2	PTFE B602 / NBR	24275493	●
580	555,5	7,7	8,1	12,25	12	2	PTFE GM201 / NBR	24275661	○
580	555,5	7,7	8,1	12,25	12	2	PTFE B602 / FKM	24349367	○
590	565,5	7,7	8,1	12,25	12	2	PTFE B602 / NBR	24275497	○
590	565,5	7,7	8,1	12,25	12	2	PTFE GM201 / NBR	24275666	○
590	565,5	7,7	8,1	12,25	12	2	PTFE B602 / FKM	24349368	○
600	575,5	7,7	8,1	12,25	12	2	PTFE GM201 / NBR	24145899	○
600	575,5	7,7	8,1	12,25	12	2	PTFE B602 / NBR	24191702	●
600	575,5	7,7	8,1	12,25	12	2	PTFE B602 / FKM	24349370	○
610	585,5	7,7	8,1	12,25	12	2	PTFE GM201 / NBR	24233565	○
610	585,5	7,7	8,1	12,25	12	2	PTFE B602 / NBR	24234535	○
610	585,5	7,7	8,1	12,25	12	2	PTFE B602 / FKM	24349371	○
620	595,5	7,7	8,1	12,25	12	2	PTFE B602 / NBR	24275487	○
620	595,5	7,7	8,1	12,25	12	2	PTFE GM201 / NBR	24275675	○

● Available from stock ○ On request: Tool is available, delivery at short notice

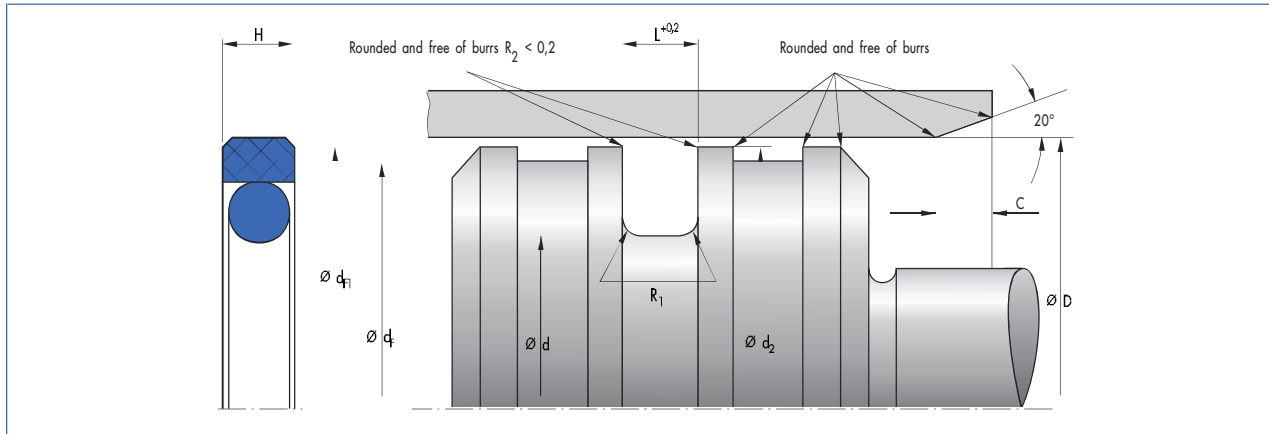


D	d	H	L	Profile	C	R ₁	Material	Article No.	
620	595,5	7,7	8,1	12,25	12	2	PTFE B602 / FKM	24316069	○
630	605,5	7,7	8,1	12,25	12	2	PTFE B602 / NBR	24275498	●
630	605,5	7,7	8,1	12,25	12	2	PTFE GM201 / NBR	24275647	○
630	605,5	7,7	8,1	12,25	12	2	PTFE B602 / FKM	24347059	○
640	615,5	7,7	8,1	12,25	12	2	PTFE B602 / NBR	24243559	○
640	615,5	7,7	8,1	12,25	12	2	PTFE GM201 / NBR	24275668	○
640	615,5	7,7	8,1	12,25	12	2	PTFE B602 / FKM	24349372	○
650	625,5	7,7	8,1	12,25	12	2	PTFE B602 / NBR	24268698	●
650	625,5	7,7	8,1	12,25	12	2	PTFE GM201 / NBR	24268700	○
650	625,5	7,7	8,1	12,25	12	2	PTFE B602 / FKM	24349373	○
660	635,5	7,7	8,1	12,25	12	2	PTFE B602 / NBR	24275495	○
660	635,5	7,7	8,1	12,25	12	2	PTFE GM201 / NBR	24275637	○
660	635,5	7,7	8,1	12,25	12	2	PTFE B602 / FKM	24349374	○
670	642	9	9,5	14	13	2	PTFE B602 / NBR	24275502	○
670	642	9	9,5	14	13	2	PTFE GM201 / NBR	24275660	○
670	642	9	9,5	14	13	2	PTFE B602 / FKM	24349458	○
680	652	9	9,5	14	13	2	PTFE B602 / NBR	24275499	○
680	652	9	9,5	14	13	2	PTFE GM201 / NBR	24275682	○
680	652	9	9,5	14	13	2	PTFE B602 / FKM	24349459	○
690	662	8,7	9,5	14	13	2	PTFE B602 / NBR	24275501	○
690	662	9	9,5	14	13	2	PTFE GM201 / NBR	24275676	○
690	662	9	9,5	14	13	2	PTFE B602 / FKM	24349460	○
700	672	9	9,5	14	13	2	PTFE B602 / NBR	24268832	●
700	672	9	9,5	14	13	2	PTFE GM201 / NBR	24268834	○
700	672	9	9,5	14	13	2	PTFE B602 / FKM	24349461	○
710	682	9	9,5	14	13	2	PTFE B602 / NBR	24275488	●
710	682	9	9,5	14	13	2	PTFE GM201 / NBR	24275674	○
710	682	9	9,5	14	13	2	PTFE B602 / FKM	24349462	○
720	692	9	9,5	14	13	2	PTFE B602 / NBR	24275500	●
720	692	9	9,5	14	13	2	PTFE GM201 / NBR	24275650	○
720	692	9	9,5	14	13	2	PTFE B602 / FKM	24349463	○
730	702	9	9,5	14	13	2	PTFE B602 / NBR	24269480	○
730	702	9	9,5	14	13	2	PTFE GM201 / NBR	24275671	○
730	702	9	9,5	14	13	2	PTFE B602 / FKM	24349464	○
740	712	9	9,5	14	13	2	PTFE B602 / NBR	24275510	○
740	712	9	9,5	14	13	2	PTFE GM201 / NBR	24275664	○
740	712	9	9,5	14	13	2	PTFE B602 / FKM	24349465	○

● Available from stock ○ On request: Tool is available, delivery at short notice

D	d	H	L	Profile	C	R ₁	Material	Article No.	
750	722	9	9,5	14	13	2	PTFE B602 / NBR	24275514	○
750	722	9	9,5	14	13	2	PTFE GM201 / NBR	24275663	○
750	722	9	9,5	14	13	2	PTFE B602 / FKM	24349466	○
760	732	9	9,5	14	13	2	PTFE B602 / NBR	24275508	○
760	732	9	9,5	14	13	2	PTFE GM201 / NBR	24275679	○
760	732	9	9,5	14	13	2	PTFE B602 / FKM	24349467	○
770	742	9	9,5	14	13	2	PTFE B602 / NBR	24275503	○
770	742	9	9,5	14	13	2	PTFE GM201 / NBR	24275644	○
770	742	9	9,5	14	13	2	PTFE B602 / FKM	24349468	○
777	805	9	9,5	14	13	2	PTFE B602 / NBR	24344664	○
780	752	9	9,5	14	13	2	PTFE B602 / NBR	24275512	○
780	752	9	9,5	14	13	2	PTFE GM201 / NBR	24275662	○
780	752	9	9,5	14	13	2	PTFE B602 / FKM	24349469	○
790	762	9	9,5	14	13	2	PTFE B602 / NBR	24275517	○
790	762	9	9,5	14	13	2	PTFE GM201 / NBR	24275658	○
790	762	9	9,5	14	13	2	PTFE B602 / FKM	24349472	○
800	772	9	9,5	14	13	2	PTFE B602 / NBR	24275523	●
800	772	9	9,5	14	13	2	PTFE GM201 / NBR	24275645	○
800	772	9	9,5	14	13	2	PTFE B602 / FKM	24349473	○
810	782	9	9,5	14	13	2	PTFE B602 / NBR	24275513	○
810	782	9	9,5	14	13	2	PTFE GM201 / NBR	24275670	○
820	792	9	9,5	14	13	2	PTFE B602 / NBR	24275504	○
820	792	9	9,5	14	13	2	PTFE GM201 / NBR	24275685	○
830	802	9	9,5	14	13	2	PTFE B602 / NBR	24275518	○
830	802	9	9,5	14	13	2	PTFE GM201 / NBR	24275673	○
830	802	9	9,5	14	13	2	PTFE B602 / FKM	24349476	○
840	812	9	9,5	14	13	2	PTFE B602 / NBR	24275511	○
840	812	9	9,5	14	13	2	PTFE GM201 / NBR	24275687	○
840	812	9	9,5	14	13	2	PTFE B602 / FKM	24349477	○
850	822	9	9,5	14	13	2	PTFE B602 / NBR	24275507	○
850	822	9	9,5	14	13	2	PTFE GM201 / NBR	24275652	○
850	822	9	9,5	14	13	2	PTFE B602 / FKM	24349478	○
860	832	9	9,5	14	13	2	PTFE B602 / NBR	24275515	○
860	832	9	9,5	14	13	2	PTFE GM201 / NBR	24275648	○
860	832	9	9,5	14	13	2	PTFE B602 / FKM	24349479	○
865	837	9	9,5	14	13	2	PTFE B602 / FKM	24353417	○
865	837	9	9,5	14	13	2	PTFE B602 / NBR	24353783	○
870	842	9	9,5	14	13	2	PTFE B602 / NBR	24275522	○
870	842	9	9,5	14	13	2	PTFE GM201 / NBR	24275651	○
870	842	9	9,5	14	13	2	PTFE B602 / FKM	24349480	○
880	852	9	9,5	14	13	2	PTFE B602 / NBR	24275519	○
880	852	9	9,5	14	13	2	PTFE GM201 / NBR	24275657	○
880	852	9	9,5	14	13	2	PTFE B602 / FKM	24349481	○
890	862	9	9,5	14	13	2	PTFE B602 / NBR	24275509	○
890	862	9	9,5	14	13	2	PTFE B602 / FKM	24349482	○
900	872	9	9,5	14	13	2	PTFE B602 / NBR	24275521	○
900	872	9	9,5	14	13	2	PTFE GM201 / NBR	24275677	○
900	872	9	9,5	14	13	2	PTFE B602 / FKM	24349483	○
910	882	9	9,5	14	13	2	PTFE B602 / NBR	24275516	○
910	882	9	9,5	14	13	2	PTFE GM201 / NBR	24275672	○

● Available from stock ○ On request: Tool is available, delivery at short notice



D	d	H	L	Profile	C	R ₁	Material	Article No.	
910	882	9	9,5	14	13	2	PTFE B602 / FKM	24349484	○
920	892	9	9,5	14	13	2	PTFE B602 / NBR	24269457	○
920	892	9	9,5	14	13	2	PTFE GM201 / NBR	24275680	○
920	892	9	9,5	14	13	2	PTFE B602 / FKM	24349485	○
930	902	9	9,5	14	13	2	PTFE B602 / NBR	24275520	○
930	902	9	9,5	14	13	2	PTFE GM201 / NBR	24275653	○
930	902	9	9,5	14	13	2	PTFE B602 / FKM	24349486	○
940	912	9	9,5	14	13	2	PTFE B602 / NBR	24275524	○
940	912	9	9,5	14	13	2	PTFE GM201 / NBR	24275686	○
940	912	9	9,5	14	13	2	PTFE B602 / FKM	24349487	○
950	922	9	9,5	14	13	2	PTFE B670 / NBR	24275525	○
950	922	9	9,5	14	13	2	PTFE GM201 / NBR	24275638	○
950	922	9	9,5	14	13	2	PTFE B670 / FKM	24349488	○
965	937	9	9,5	14	13	2	PTFE B670 / NBR	24295220	●
1100	1072	9	9,5	14	13	2	PTFE GM201 / NBR	24345602	○

● Available from stock ○ On request: Tool is available, delivery at short notice

Merkel Omegat OMK-ES

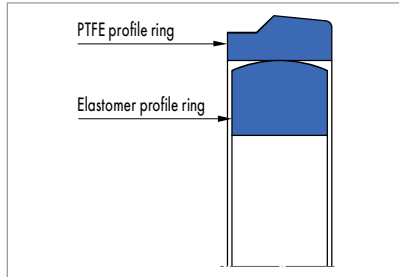


Fig. 1 Merkel Omegat OMK-ES

Product description

Two-piece Merkel seal set for sealing pistons, consisting of one PTFE profile ring and an elastomer profile ring as a pre-load component.

Product advantages

The Merkel Omegat OMK-ES is for use where sealing pistons have pressure on one side. The Merkel Omegat OMK-ES series is designed especially for large diameters and for heavy duty hydraulic applications

- Very high resistance to pressure
- Design prevents twisting
- Very good protection against extrusion
- High resistance to abrasion
- Good thermal conductivity
- Low friction, free of stick-slip
- High contact pressure due to elastomer profile ring.

Application

Injection moulding machines, presses, marine hydraulics, manipulators, mills, steel hydraulics engineering, large cylinders.

Material

PTFE profile ring

Material	Code
PTFE bronze compound	PTFE B602
PTFE glass MoS ₂ compound	PTFE GM201

Elastomer profile ring

Material	Code	Hardness
Nitrile rubber NBR	80 NBR B246	80 Shore A

Other materials are available on request.

Operating conditions

Material	PTFE B602/ 80 NBR B246	PTFE GM201/ 80 NBR B246
	Temperature range in °C	
Hydraulic oils HL, HLP	-30 ... +100	-30 ... +100
HFA fluids	-	+5 ... +60
HFB fluids	-	+5 ... +60
HFC fluids	-	-30 ... +60
HFD fluids	-	-
Water	-	+5 ... +100
HETG (rapeseed oil)	-30 ... +80	-30 ... +80
HEES (synthetic esters)	-30 ... +80	-30 ... +80
HEPG (glycol)	-30 ... +60	-30 ... +60
Mineral greases	-30 ... +100	-30 ... +100
Pressure p in MPa	40	
Running speed v in m/s	5	

Surface quality

Surface roughness	R _a	R _{max}
Sliding surface	0,05 ... 0,3 µm	≤2,5 µm
Groove base	≤1,6 µm	≤6,3 µm
Groove flanks	≤3,0 µm	≤15,0 µm

Percentage contact area M_r >50% to max. 90% at cutting depth c = Rz/2 and reference line C ref = 0%.

Design notes

Please observe our general design notes in → Technical Manual.

Gap dimension

The largest gap dimension occurring on the non-pressurised side of the seal in operation is of vital importance for the function of the seal. → Technical Manual.

Profile		Max. permissible gap dimension			
L	Profile	16 MPa	26 MPa	32 MPa	40 MPa
10,0	10,0	0,60	0,50	0,40	0,40
12,5	12,5	0,75	0,65	0,55	0,50
15,0	15,0	0,75	0,65	0,55	0,50
17,5	17,5	0,75	0,65	0,55	0,50
20,0	20,0	0,80	0,70	0,60	0,55

Tolerance recommendation and dimension d2

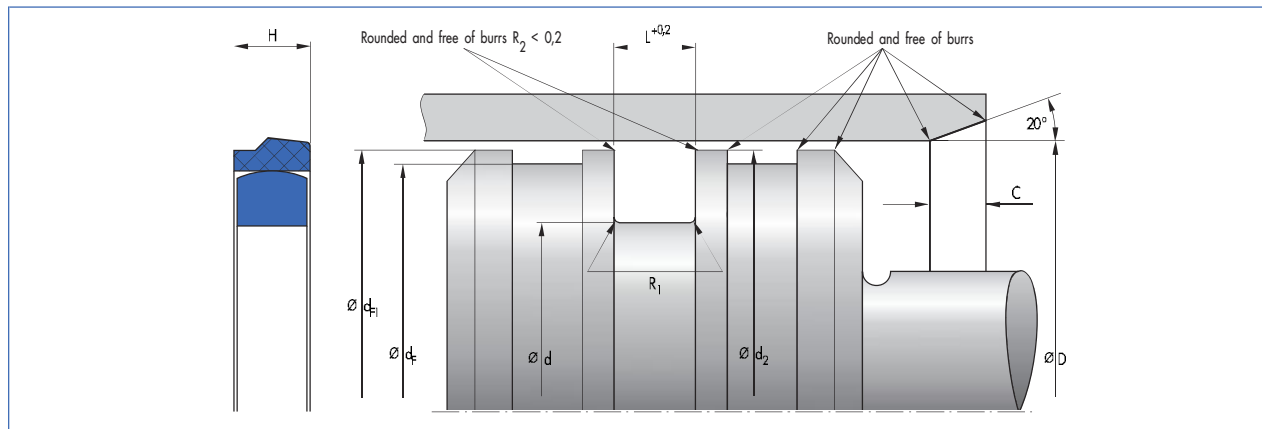
The admissible gap width, tolerances, guide play and deflection of the guide under load are to be taken into account when designing d2. → Technical Manual.

16 MPa			26 MPa			32 MPa			40 MPa		
Nominal Ø D	D	d	Nominal Ø D	D	d	Nominal Ø D	D	d	Nominal Ø D	D	d
100 ... 500	H8	h8	100 ... 500	H8	h8	100 ... 500	H8	h8	100 ... 500	H8	h8
>500 ... 1000	H8	h8	>500 ... 1000	H8	h8	>500 ... 1000	H8	h8	>500 ... 1000	H7	h7

Fitting & installation

Careful fitting is a prerequisite for the correct function of the seal.
→ Technical Manual.

Article list



D	d	H	L	Profile	C	R ₁	Material	Article No.	
110	90	9,4	10	10	7,5	0,4	PTFE GM201	24351403	○
120	100	9,4	10	10	7,5	0,4	PTFE GM201	24380258	○
125	105	9,4	10	10	7,5	0,4	PTFE GM201	24351404	○
125	105	9,4	10	10	7,5	0,4	PTFE B602	49000473	○
130	110	9,4	10	10	7,5	0,4	PTFE GM201	531548	○
140	120	9,4	10	10	7,5	0,4	PTFE GM201	24351116	○
160	135	11,7	12,5	12,5	10	0,4	PTFE GM201	24351168	○
170	145	11,7	12,5	12,5	10	0,4	PTFE GM201	526064	○
170	145	11,7	12,5	12,5	10	0,4	PTFE B602	24339183	○
180	155	11,7	12,5	12,5	10	0,4	PTFE B602	24298561	○
200	175	11,7	12,5	12,5	10	0,4	PTFE GM201	24380283	○
210	185	11,7	12,5	12,5	10	0,4	PTFE GM201	24351170	○
260	230	14	15	15	12	0,8	PTFE GM201	24227066	○
260	230	14	15	15	12	0,8	PTFE B602	24378105	○
280	250	14	15	15	12	0,8	PTFE GM201	24265687	○
280	250	14	15	15	12	0,8	PTFE B602	24339180	○
300	270	14	15	15	12	0,8	PTFE GM201	24209307	○
300	270	14	15	15	12	0,8	PTFE B602	24339181	●
320	290	14	15	15	12	0,8	PTFE GM201	24265690	○
320	290	14	15	15	12	0,8	PTFE B602	24339182	○
330	300	14	15	15	12	0,8	PTFE B602	24339186	○
340	310	14	15	15	12	0,8	PTFE B602	24353070	○
350	320	14	15	15	12	0,8	PTFE GM201	24248305	○
380	350	14	15	15	12	0,8	PTFE GM201	526957	○
410	375	16,4	17,5	17,5	12	1,2	PTFE GM201	24213829	○
500	465	16,4	17,5	17,5	12	1,2	PTFE B602	24346901	○
500	465	16,4	17,5	17,5	12	1,2	PTFE GM201	49013401	○
520	485	16,4	17,5	17,5	12	1,2	PTFE GM201	24357903	○
550	515	16,4	17,5	17,5	12	1,2	PTFE GM201	24372694	○
600	565	16,4	17,5	17,5	12	1,2	PTFE B602	24338042	○
620	585	16,4	17,5	17,5	12	1,2	PTFE GM201	530238	○
660	625	16,4	17,5	17,5	12	1,2	PTFE B602	24291575	○
720	685	16,4	17,5	17,5	12	1,2	PTFE GM201	24213578	○
740	705	16,4	17,5	17,5	12	1,2	PTFE GM201	24378497	○
750	710	18,7	20	20	12	1,2	PTFE GM201	49011384	○

● Available from stock ○ On request: Tool is available, delivery at short notice

Merkel Omegat OMK-E

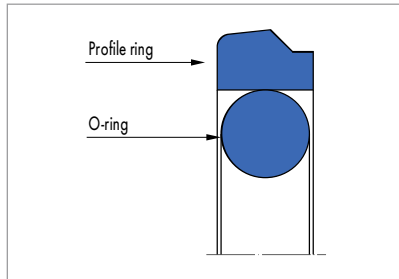


Fig. 1 Merkel Omegat OMK-E

Product description

Two-piece Merkel seal set for sealing pistons, consisting of one PTFE profile ring and an O-ring as a pre-load component.

Product advantages

Merkel Omegat OMK-E can be used where a sealing piston has pressure on one side, amongst others, in standardised housings according to ISO 7425/1. Rod diameters in agreement with ISO 3320.

- Very high resistance to pressure and hardness
- Good thermal conductivity
- Very good protection against extrusion
- High resistance to abrasion
- Low friction, free of stick-slip.

Application

Handling equipment, agricultural machinery, injection moulding machines, presses, marine hydraulics, industrial vehicles, cranes, mills, control and regulation equipment.

Material

PTFE profile ring

Material	Code
PTFE bronze compound	PTFE B602
PTFE glass MoS ₂ compound	PTFE GM201

O-ring

Material	Code	Hardness
NBR	70 NBR B276	70 Shore A
FKM	70 FKM K655	70 Shore A

Operating conditions

Material	PTFE GM201/ 70 NBR B276	PTFE B602/ 70 NBR B276	PTFE B602/ 70 FKM K655
	Temperature range in °C		
Hydraulic oils HL, HLP	-30 ... +100	-30 ... +100	-10 ... +200
HFA fluids	+5 ... +60	-	-
HFB fluids	+5 ... +60	-	-
HFC fluids	-30 ... +60	-	-
HFD fluids	-	-	-10 ... +200
Water	+5 ... +100	-	-
HETG (rapeseed oil)	-30 ... +80	-30 ... +80	-10 ... +80
HEES (synthetic esters)	-30 ... +80	-30 ... +80	-10 ... +100
HEPG (glycol)	-30 ... +60	-30 ... +60	-10 ... +80
Mineral greases	-30 ... +100	-30 ... +100	-10 ... +200
Pressure p in MPa	40		
Running speed v in m/s	5		

Surface quality

Surface roughness	R _a	R _{max}
Sliding surface	0,05 ... 0,3 µm	≤2,5 µm
Groove base	≤1,6 µm	≤6,3 µm
Groove flanks	≤3,0 µm	≤15,0 µm

Percentage contact area M_r >50% to max. 90% at cutting depth c = Rz/2 and reference line C ref = 0%.

Design notes

Please observe our general design notes in → Technical Manual.

Gap dimension

The largest gap dimension occurring on the non-pressurised side of the seal in operation is of vital importance for the function of the seal. → Technical Manual.

Profile		Max. permissible gap dimension			
L	Profile	16 MPa	26 MPa	32 MPa	40 MPa
2,2	2,45	0,35	0,30	–	–
3,2	3,65	0,40	0,35	–	–
4,2	5,35	0,50	0,40	0,30	–
6,3	7,55	0,55	0,45	0,35	0,30
8,1	10,25	0,60	0,50	0,40	0,40
8,1	12,00	0,70	0,60	0,55	0,50
9,5	13,65	0,75	0,65	0,60	0,55

Tolerance recommendation and dimension d2

The admissible gap width, tolerances, guide play and deflection of the guide under load are to be taken into account when designing d2. → Technical Manual.

Tolerance recommendations – for non-metallic guides

2,45 ... 7,55	16 MPa		26 MPa		32 MPa		40 MPa	
Nominal Ø D	D	d	D	d	D	d	D	d
<270	H8	h8	H8	h8	H8	h8	H8	h8
10,25	16 MPa		26 MPa		32 MPa		40 MPa	
Nominal Ø D	D	d	D	d	D	d	D	d
<500	H8	h8	H8	h8	H8	h8	H8	h8
500 ... 690	H8	h7	H8	h7	H8	h7	H8	h7
12,00	16 MPa		26 MPa		32 MPa		40 MPa	
Nominal Ø D	D	d	D	d	D	d	D	d
<500	H8	h8	H8	h8	H8	h8	H8	h8
500 ... 690	H8	h7	H8	h7	H8	h7	H8	h7
13,65	16 MPa		26 MPa		32 MPa		40 MPa	
Nominal Ø D	D	d	D	d	D	d	D	d
<1000	H8	h7	H8	h7	H8	h7	H8	h7
1000 ... 1100	H8	h7	H8	h7	H7	h7	H7	h7

Regard must be paid to the dimensions d1 and dF in connection with the guide element used.

Material selection table

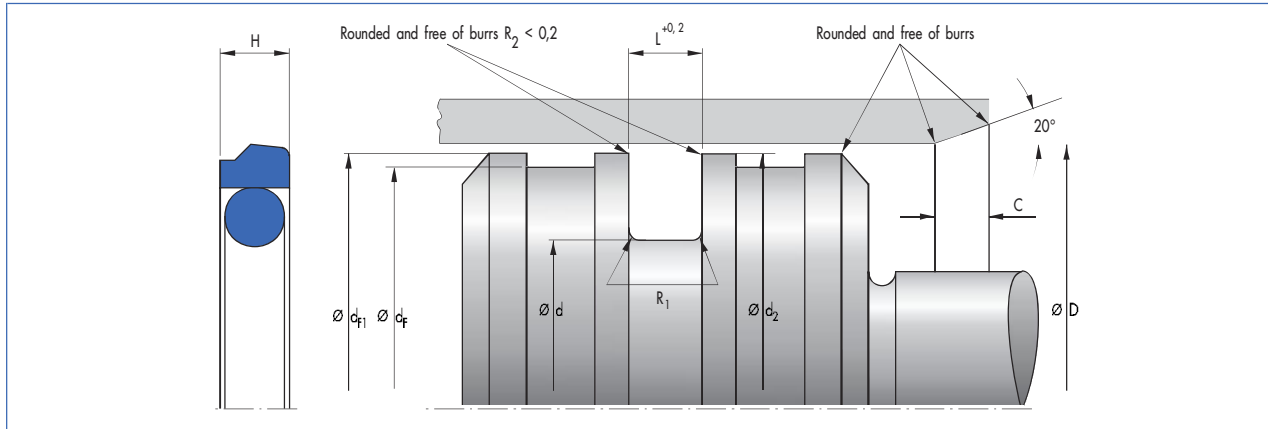
	PTFE GM201/ 70 NBR B276 (PTFE-Glass-MoS ₂ / NBR)	PTFE B602/ 70 NBR B276 (PTFE bronze/ NBR)	PTFE B602/ 70 FKM K655 (PTFE bronze/ FKM)
Oil hydraulics -30 ... +100 °C	●	●	○
Oil hydraulics -10 ... +200 °C	○	○	●
Short stroke, high frequency	●	○	○
Water hydraulics	●	○	○
Soft counterface	●	○	○

● = suitable; ● = possible; ○ = not suitable.

Fitting & installation

Careful fitting is a prerequisite for the correct function of the seal. → Technical Manual. When mounting the Merkel Omegat OMK-E, ensure correct placement of the sealing edge to the pressure direction. A fitting jig facilitates the installation of small Omegat rings.

Article list

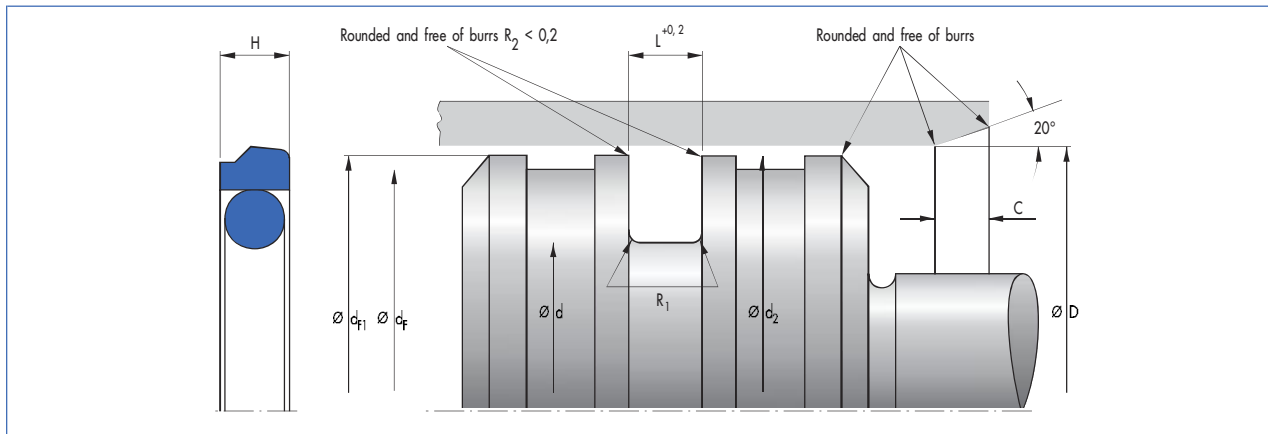


D	d	H	L	Profile	C	R ₁	Material	Article No.	
8	3,1	2	2,2	2,45	3	0,3	PTFE B602 / FKM	24262428	○
8	3,1	2	2,2	2,45	3	0,3	PTFE B602 / NBR	24275916	○
8	3,1	2	2,2	2,45	3	0,3	PTFE GM201 / NBR	24276238	○
10	5,1	2	2,2	2,45	3	0,3	PTFE B602 / NBR	24275925	●
10	5,1	2	2,2	2,45	3	0,3	PTFE GM201 / NBR	24276247	○
10	5,1	2	2,2	2,45	3	0,3	PTFE B602 / FKM	24345101	○
12	7,1	2	2,2	2,45	3	0,3	PTFE B602 / NBR	24275944	●
12	7,1	2	2,2	2,45	3	0,3	PTFE GM201 / NBR	24276265	○
12	7,1	2	2,2	2,45	3	0,3	PTFE B602 / FKM	24345102	○
14	9,1	2	2,2	2,45	3	0,3	PTFE B602 / NBR	24256812	●
14	9,1	2	2,2	2,45	3	0,3	PTFE GM201 / NBR	24276368	○
14	9,1	2	2,2	2,45	3	0,3	PTFE B602 / FKM	24345103	○
15	10,1	2	2,2	2,45	3	0,3	PTFE B602 / NBR	24276002	○
15	10,1	2	2,2	2,45	3	0,3	PTFE GM201 / NBR	24276346	○
15	10,1	2	2,2	2,45	3	0,3	PTFE B602 / FKM	24345104	○
16	11,1	2	2,2	2,45	3	0,3	PTFE B602 / NBR	24275929	○
16	11,1	2	2,2	2,45	3	0,3	PTFE GM201 / NBR	24276250	○
18	10,7	3	3,2	3,65	4,5	0,5	PTFE B602 / NBR	24275921	○
18	10,7	3	3,2	3,65	4,5	0,5	PTFE GM201 / NBR	24276243	○
18	10,7	3	3,2	3,65	4,5	0,5	PTFE B602 / FKM	24345106	○
20	12,7	3	3,2	3,65	4,5	0,5	PTFE GM201 / NBR	24231905	○
20	12,7	3	3,2	3,65	4,5	0,5	PTFE B602 / NBR	24248890	●
20	12,7	3	3,2	3,65	4,5	0,5	PTFE B602 / FKM	24339788	○
22	14,7	3	3,2	3,65	4,5	0,5	PTFE B602 / NBR	24275923	○
22	14,7	3	3,2	3,65	4,5	0,5	PTFE GM201 / NBR	24276245	○
22	14,7	3	3,2	3,65	4,5	0,5	PTFE B602 / FKM	24345107	○
25	17,7	3	3,2	3,65	4,5	0,5	PTFE B602 / NBR	24260930	●
25	17,7	3	3,2	3,65	4,5	0,5	PTFE B602 / FKM	24260932	○
25	17,7	3	3,2	3,65	4,5	0,5	PTFE GM201 / NBR	24275717	○
28	17,3	4	4,2	5,35	6	0,8	PTFE B602 / NBR	24275935	○
28	17,3	4	4,2	5,35	6	0,8	PTFE GM201 / NBR	24276256	○
28	17,3	4	4,2	5,35	6	0,8	PTFE B602 / FKM	24345108	○
30	19,3	4	4,2	5,35	6	0,8	PTFE B602 / NBR	24275926	●
30	19,3	4	4,2	5,35	6	0,8	PTFE GM201 / NBR	24276248	○
30	19,3	4	4,2	5,35	6	0,8	PTFE B602 / FKM	24316411	○

● Available from stock ○ On request: Tool is available, delivery at short notice

D	d	H	L	Profile	C	R ₁	Material	Article No.	
32	21,3	4	4,2	5,35	6	0,8	PTFE B602 / NBR	24258449	○
32	21,3	4	4,2	5,35	6	0,8	PTFE GM201 / NBR	24276370	○
32	21,3	4	4,2	5,35	6	0,8	PTFE B602 / FKM	24345109	○
35	24,3	4	4,2	5,35	6	0,8	PTFE B602 / NBR	24257786	○
35	24,3	4	4,2	5,35	6	0,8	PTFE GM201 / NBR	24276369	○
35	24,3	4	4,2	5,35	6	0,8	PTFE B602 / FKM	24339868	○
36	25,3	4	4,2	5,35	6	0,8	PTFE B602 / NBR	24276021	○
36	25,3	4	4,2	5,35	6	0,8	PTFE GM201 / NBR	24276364	○
36	25,3	4	4,2	5,35	6	0,8	PTFE B602 / FKM	24345110	○
38	27,3	4	4,2	5,35	6	0,8	PTFE B602 / NBR	24275930	○
38	27,3	4	4,2	5,35	6	0,8	PTFE GM201 / NBR	24276251	○
40	29,3	4	4,2	5,35	6	0,8	PTFE B602 / NBR	24249194	●
40	29,3	4	4,2	5,35	6	0,8	PTFE GM201 / NBR	24276367	○
40	29,3	4	4,2	5,35	6	0,8	PTFE B602 / FKM	24316410	●
42	31,3	4	4,2	5,35	6	0,8	PTFE B602 / NBR	24275932	○
42	31,3	4	4,2	5,35	6	0,8	PTFE GM201 / NBR	24276253	○
42	31,3	4	4,2	5,35	6	0,8	PTFE B602 / FKM	24345112	○
45	34,3	4	4,2	5,35	6	0,8	PTFE B602 / FKM	24269472	○
45	34,3	4	4,2	5,35	6	0,8	PTFE B602 / NBR	24275914	●
45	34,3	4	4,2	5,35	6	0,8	PTFE GM201 / NBR	24276236	○
48	37,3	4	4,2	5,35	6	0,8	PTFE B602 / NBR	24275934	○
48	37,3	4	4,2	5,35	6	0,8	PTFE GM201 / NBR	24276255	○
48	37,3	4	4,2	5,35	6	0,8	PTFE B602 / FKM	24345113	○
50	39,3	4	4,2	5,35	6	0,8	PTFE GM201 / NBR	24258849	○
50	39,3	4	4,2	5,35	6	0,8	PTFE B602 / NBR	24258850	●
50	39,3	4	4,2	5,35	6	0,8	PTFE B602 / FKM	24345114	○
55	44,3	4	4,2	5,35	6	0,8	PTFE B602 / NBR	24275936	●
55	44,3	4	4,2	5,35	6	0,8	PTFE GM201 / NBR	24276257	○
55	44,3	4	4,2	5,35	6	0,8	PTFE B602 / FKM	24334506	○
56	45,3	4	4,2	5,35	6	0,8	PTFE B602 / NBR	24276014	○
56	45,3	4	4,2	5,35	6	0,8	PTFE GM201 / NBR	24276358	○
56	45,3	4	4,2	5,35	6	0,8	PTFE B602 / FKM	24345115	○
60	44,9	5,9	6,3	7,55	9	1,2	PTFE GM201 / NBR	24269473	○
60	44,9	5,9	6,3	7,55	9	1,2	PTFE B602 / NBR	24275938	●
60	44,9	5,9	6,3	7,55	9	1,2	PTFE B602 / FKM	24290446	○
63	47,9	5,9	6,3	7,55	9	1,2	PTFE B602 / FKM	24260919	○
63	47,9	5,9	6,3	7,55	9	1,2	PTFE GM201 / NBR	24274574	○
63	47,9	5,9	6,3	7,55	9	1,2	PTFE B602 / NBR	24275917	●
65	49,9	5,9	6,3	7,55	9	1,2	PTFE B602 / NBR	24275940	●
65	49,9	5,9	6,3	7,55	9	1,2	PTFE GM201 / NBR	24276261	○
65	49,9	5,9	6,3	7,55	9	1,2	PTFE B602 / FKM	24345116	○
68	52,9	5,9	6,3	7,55	9	1,2	PTFE GM201 / FKM	533174	○
70	54,9	5,9	6,3	7,55	9	1,2	PTFE B602 / NBR	24276004	●
70	54,9	5,9	6,3	7,55	9	1,2	PTFE GM201 / NBR	24276348	○
70	54,9	5,9	6,3	7,55	9	1,2	PTFE B602 / FKM	24345117	○
75	59,9	5,9	6,3	7,55	9	1,2	PTFE B602 / NBR	24275942	●
75	59,9	5,9	6,3	7,55	9	1,2	PTFE GM201 / NBR	24276263	○
75	59,9	5,9	6,3	7,55	9	1,2	PTFE B602 / FKM	24345118	○
80	64,9	5,9	6,3	7,55	9	1,2	PTFE GM201 / NBR	24192313	○
80	64,9	5,9	6,3	7,55	9	1,2	PTFE B602 / FKM	24269662	○

● Available from stock ○ On request: Tool is available, delivery at short notice

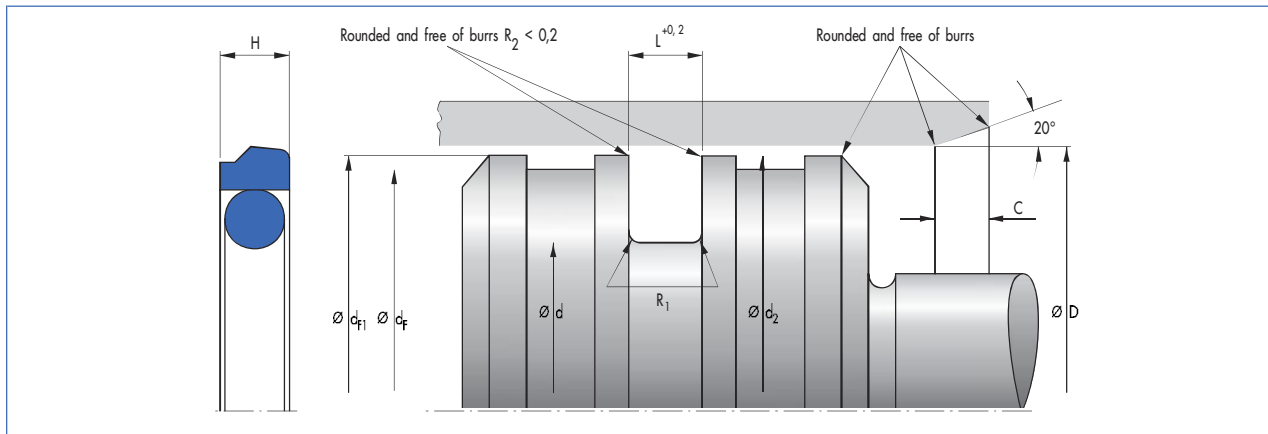


D	d	H	L	Profile	C	R ₁	Material	Article No.	
80	64,9	5,9	6,3	7,55	9	1,2	PTFE B602 / NBR	24275984	●
85	69,9	5,9	6,3	7,55	9	1,2	PTFE B602 / NBR	24275915	○
85	69,9	5,9	6,3	7,55	9	1,2	PTFE GM201 / NBR	24276237	○
85	69,9	5,9	6,3	7,55	9	1,2	PTFE B602 / FKM	24356574	○
90	74,9	5,9	6,3	7,55	9	1,2	PTFE B602 / NBR	24276020	○
90	74,9	5,9	6,3	7,55	9	1,2	PTFE GM201 / NBR	24276363	○
90	74,9	5,9	6,3	7,55	9	1,2	PTFE B602 / FKM	24345119	○
95	79,9	5,9	6,3	7,55	9	1,2	PTFE GM201 / NBR	24245655	○
95	79,9	5,9	6,3	7,55	9	1,2	PTFE B602 / NBR	24259254	○
95	79,9	5,9	6,3	7,55	9	1,2	PTFE B602 / FKM	24356575	○
100	84,9	5,9	6,3	7,55	9	1,2	PTFE GM201 / NBR	24148860	●
100	84,9	5,9	6,3	7,55	9	1,2	PTFE B602 / NBR	24275986	●
100	84,9	5,9	6,3	7,55	9	1,2	PTFE B602 / FKM	24338059	○
105	89,9	5,9	6,3	7,55	9	1,2	PTFE GM201 / NBR	24187342	○
105	89,9	5,9	6,3	7,55	9	1,2	PTFE B602 / NBR	24275948	●
105	89,9	5,9	6,3	7,55	9	1,2	PTFE B602 / FKM	24345121	○
110	94,9	5,9	6,3	7,55	9	1,2	PTFE B602 / NBR	24276006	●
110	94,9	5,9	6,3	7,55	9	1,2	PTFE GM201 / NBR	24276350	○
110	94,9	5,9	6,3	7,55	9	1,2	PTFE B602 / FKM	24345122	○
115	99,9	5,9	6,3	7,55	9	1,2	PTFE GM201 / NBR	24242319	○
115	99,9	5,9	6,3	7,55	9	1,2	PTFE B602 / NBR	24275950	○
115	99,9	5,9	6,3	7,55	9	1,2	PTFE B602 / FKM	24302827	○
120	104,9	5,9	6,3	7,55	9	1,2	PTFE GM201 / NBR	24139834	○
120	104,9	5,9	6,3	7,55	9	1,2	PTFE B602 / NBR	24258844	●
120	104,9	5,9	6,3	7,55	9	1,2	PTFE B602 / FKM	24345123	○
125	104,5	7,6	8,1	10,25	12	2	PTFE B602 / FKM	24356576	○
125	104,5	7,6	8,1	10,25	12	2	PTFE B602 / NBR	24356586	○
125	104,5	7,6	8,1	10,25	12	2	PTFE GM201 / NBR	24356597	○
125	109,9	5,9	6,3	7,55	9	1,2	PTFE GM201 / NBR	24198545	○
125	109,9	5,9	6,3	7,55	9	1,2	PTFE B602 / NBR	24274575	●
125	109,9	5,9	6,3	7,55	9	1,2	PTFE B602 / FKM	24345124	○
130	109,5	7,6	8,1	10,25	12	2	PTFE B602 / FKM	24356577	○
130	109,5	7,6	8,1	10,25	12	2	PTFE B602 / NBR	24356587	○
130	109,5	7,6	8,1	10,25	12	2	PTFE GM201 / NBR	24356598	○
130	114,9	5,9	6,3	7,55	9	12	PTFE B602 / NBR	24258843	○
130	114,9	5,9	6,3	7,55	9	12	PTFE GM201 / NBR	24276371	○
130	114,9	5,9	6,3	7,55	9	12	PTFE B602 / FKM	24345125	○

● Available from stock ○ On request: Tool is available, delivery at short notice

D	d	H	L	Profile	C	R ₁	Material	Article No.	
135	114,5	7,6	8,1	10,25	12	2	PTFE B602 / FKM	24356578	○
135	114,5	7,6	8,1	10,25	12	2	PTFE B602 / NBR	24356588	○
135	114,5	7,6	8,1	10,25	12	2	PTFE GM201 / NBR	24356599	○
135	119,9	5,9	6,3	7,55	9	1,2	PTFE B602 / NBR	24275954	○
135	119,9	5,9	6,3	7,55	9	1,2	PTFE GM201 / NBR	24276272	○
135	119,9	5,9	6,3	7,55	9	1,2	PTFE B602 / FKM	24345126	○
140	119,5	7,6	8,1	10,25	12	2	PTFE B602 / FKM	24356579	○
140	119,5	7,6	8,1	10,25	12	2	PTFE B602 / NBR	24356589	○
140	119,5	7,6	8,1	10,25	12	2	PTFE GM201 / NBR	24356600	○
140	124,9	5,9	6,3	7,55	9	1,2	PTFE B602 / NBR	24275990	●
140	124,9	5,9	6,3	7,55	9	1,2	PTFE GM201 / NBR	24276336	○
140	124,9	5,9	6,3	7,55	9	1,2	PTFE B602 / FKM	24327625	○
145	129,9	5,9	6,3	7,55	3	1,2	PTFE B602 / NBR	24351730	○
150	129,5	7,6	8,1	10,25	12	2	PTFE B602 / FKM	24356580	○
150	129,5	7,6	8,1	10,25	12	2	PTFE B602 / NBR	24356590	○
150	129,5	7,6	8,1	10,25	12	2	PTFE GM201 / NBR	24356601	○
150	134,9	5,9	6,3	7,55	9	1,2	PTFE B602 / NBR	24275956	●
150	134,9	5,9	6,3	7,55	9	1,2	PTFE GM201 / NBR	24276274	○
150	134,9	5,9	6,3	7,55	9	1,2	PTFE B602 / FKM	24345127	○
160	139,5	7,6	8,1	10,25	12	2	PTFE B602 / FKM	24356581	○
160	139,5	7,6	8,1	10,25	12	2	PTFE B602 / NBR	24356591	○
160	139,5	7,6	8,1	10,25	12	2	PTFE GM201 / NBR	24356602	○
160	144,9	5,9	6,3	7,55	9	1,2	PTFE GM201 / NBR	24274576	○
160	144,9	5,9	6,3	7,55	9	1,2	PTFE B602 / NBR	24276008	●
160	144,9	5,9	6,3	7,55	9	1,2	PTFE B602 / FKM	24345128	○
170	149,5	7,6	8,1	10,25	12	2	PTFE B602 / FKM	24356582	○
170	149,5	7,6	8,1	10,25	12	2	PTFE B602 / NBR	24356592	○
170	149,5	7,6	8,1	10,25	12	2	PTFE GM201 / NBR	24356603	○
170	154,9	5,9	6,3	7,55	9	1,2	PTFE B602 / NBR	24275958	●
170	154,9	5,9	6,3	7,55	9	1,2	PTFE GM201 / NBR	24276276	○
170	154,9	5,9	6,3	7,55	9	1,2	PTFE B602 / FKM	24345129	○
180	159,5	7,6	8,1	10,25	12	2	PTFE B602 / FKM	24356583	○
180	159,5	7,6	8,1	10,25	12	2	PTFE B602 / NBR	24356593	○
180	159,5	7,6	8,1	10,25	12	2	PTFE GM201 / NBR	24356604	○
180	164,9	5,9	6,3	7,55	9	1,2	PTFE GM201 / NBR	24257397	○
180	164,9	5,9	6,3	7,55	9	1,2	PTFE B602 / NBR	24275992	●
180	164,9	5,9	6,3	7,55	9	1,2	PTFE B602 / FKM	24345130	○
190	169,5	7,6	8,1	10,25	12	2	PTFE B602 / NBR	24356594	○
190	169,5	7,6	8,1	10,25	12	2	PTFE GM201 / NBR	24356605	○
190	174,9	5,9	6,3	7,55	9	1,2	PTFE B602 / NBR	24356595	○
190	174,9	5,9	6,3	7,55	9	1,2	PTFE GM201 / NBR	24356606	○
190	174,9	6,3	6,3	7,55	9	1,2	PTFE B602 / FKM	24345131	○
200	179,5	7,6	8,1	10,25	12	2	PTFE GM201 / NBR	24239837	○
200	179,5	7,6	8,1	10,25	12	2	PTFE B602 / NBR	24276022	●
210	189,5	7,6	8,1	10,25	12	2	PTFE B602 / NBR	24275962	●
210	189,5	7,6	8,1	10,25	12	2	PTFE GM201 / NBR	24276280	○
210	189,5	7,6	8,1	10,25	12	2	PTFE B602 / FKM	24345133	○
215	194,5	7,6	8,1	10,25	12	2	PTFE B602 / NBR	525317	○
220	199,5	7,6	8,1	10,25	12	2	PTFE GM201 / NBR	24208106	○
220	199,5	7,6	8,1	10,25	12	2	PTFE B602 / NBR	24275994	○

● Available from stock ○ On request: Tool is available, delivery at short notice

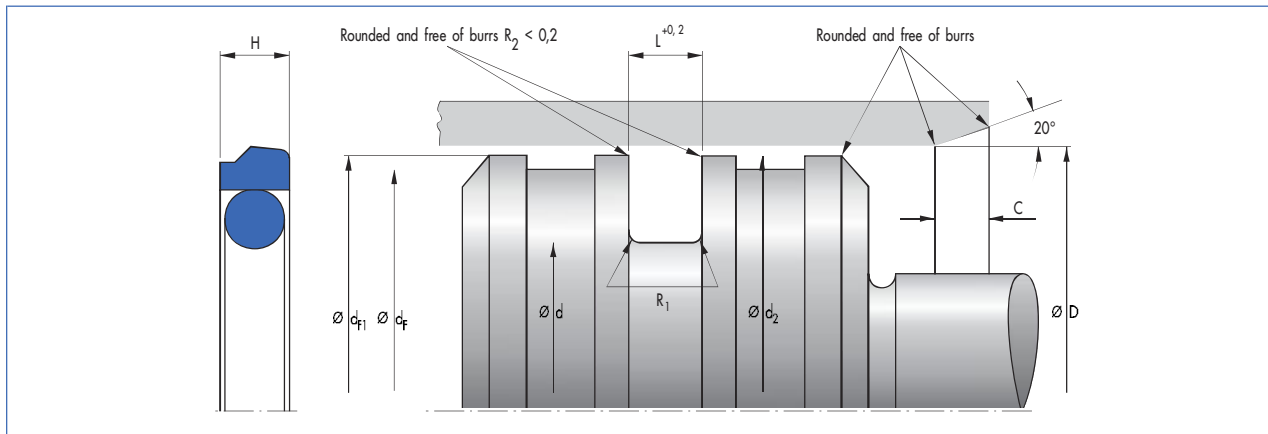


D	d	H	L	Profile	C	R ₁	Material	Article No.	
220	199,5	7,6	8,1	10,25	12	2	PTFE B602 / FKM	24345134	○
230	209,5	7,6	8,1	10,25	12	2	PTFE B602 / NBR	24275964	○
230	209,5	7,6	8,1	10,25	12	2	PTFE GM201 / NBR	24276282	●
230	209,5	7,6	8,1	10,25	12	2	PTFE B602 / FKM	24345135	○
240	219,5	7,6	8,1	10,25	12	2	PTFE B602 / NBR	24276010	○
240	219,5	7,6	8,1	10,25	12	2	PTFE GM201 / NBR	24276354	○
240	219,5	7,6	8,1	10,25	12	2	PTFE B602 / FKM	24345136	○
250	229,5	7,6	8,1	10,25	12	2	PTFE GM201 / NBR	24245626	○
250	229,5	7,6	8,1	10,25	12	2	PTFE B602 / FKM	24345137	○
250	229,5	7,7	8,1	10,25	12	2	PTFE B602 / NBR	24263958	●
260	236	7,6	8,1	12	14	2	PTFE B602 / NBR	24275996	○
260	236	7,6	8,1	12	14	2	PTFE GM201 / NBR	24276340	○
260	236	7,6	8,1	12	14	2	PTFE B602 / FKM	24345138	○
270	246	7,6	8,1	12	14	2	PTFE B602 / NBR	24275968	○
270	246	7,6	8,1	12	14	2	PTFE GM201 / NBR	24276286	○
270	246	7,6	8,1	12	14	2	PTFE B602 / FKM	24345139	○
280	256	7,6	8,1	12	14	2	PTFE GM201 / NBR	24267603	○
280	256	7,6	8,1	12	14	2	PTFE B602 / NBR	24276018	●
280	256	7,6	8,1	12	14	2	PTFE B602 / FKM	24343298	○
290	266	7,6	8,1	12	14	2	PTFE B602 / NBR	24275970	○
290	266	7,6	8,1	12	14	2	PTFE GM201 / NBR	24276288	○
290	266	7,6	8,1	12	14	2	PTFE B602 / FKM	24345141	○
300	276	7,6	8,1	12	14	2	PTFE B602 / NBR	24275998	●
300	276	7,6	8,1	12	14	2	PTFE GM201 / NBR	24276342	○
300	276	7,6	8,1	12	14	2	PTFE B602 / FKM	24345142	○
310	286	7,6	8,1	12	14	2	PTFE B602 / NBR	24275972	●
310	286	7,6	8,1	12	14	2	PTFE GM201 / NBR	24276290	○
310	286	7,6	8,1	12	14	2	PTFE B602 / FKM	24345143	○
320	296	7,6	8,1	12	14	2	PTFE B602 / NBR	24276012	●
320	296	7,6	8,1	12	14	2	PTFE GM201 / NBR	24276356	○
320	296	7,6	8,1	12	14	2	PTFE B602 / FKM	24345144	○
330	306	7,6	8,1	12	14	2	PTFE B602 / NBR	24275974	●
330	306	7,6	8,1	12	14	2	PTFE GM201 / NBR	24276292	○
330	306	7,6	8,1	12	14	2	PTFE B602 / FKM	24345145	○
340	316	7,6	8,1	12	14	2	PTFE B602 / NBR	24275924	●
340	316	7,6	8,1	12	14	2	PTFE GM201 / NBR	24276246	○
340	316	7,6	8,1	12	14	2	PTFE B602 / FKM	24345146	○

● Available from stock ○ On request: Tool is available, delivery at short notice

D	d	H	L	Profile	C	R ₁	Material	Article No.	
350	326	7,6	8,1	12	14	2	PTFE B602 / NBR	24275918	○
350	326	7,6	8,1	12	14	2	PTFE GM201 / NBR	24276240	○
350	326	7,6	8,1	12	14	2	PTFE B602 / FKM	24345147	○
360	336	7,6	8,1	12	14	2	PTFE GM201 / NBR	24242310	○
360	336	7,6	8,1	12	14	2	PTFE B602 / NBR	24275927	●
360	336	7,6	8,1	12	14	2	PTFE B602 / FKM	24345148	○
370	346	7,6	8,1	12	14	2	PTFE B602 / NBR	24275919	○
370	346	7,6	8,1	12	14	2	PTFE GM201 / NBR	24276241	○
370	346	7,6	8,1	12	14	2	PTFE B602 / FKM	24345149	○
380	356	7,6	8,1	12	14	2	PTFE B602 / NBR	24275920	○
380	356	7,6	8,1	12	14	2	PTFE GM201 / NBR	24276242	○
380	356	7,6	8,1	12	14	2	PTFE B602 / FKM	24345150	○
390	366	7,6	8,1	12	14	2	PTFE B602 / NBR	24275922	○
390	366	7,6	8,1	12	14	2	PTFE GM201 / NBR	24276244	○
390	366	7,6	8,1	12	14	2	PTFE B602 / FKM	24345151	○
400	376	7,6	8,1	12	14	2	PTFE B602 / NBR	24234456	●
400	376	7,6	8,1	12	14	2	PTFE GM201 / NBR	24276366	○
400	376	7,6	8,1	12	14	2	PTFE B602 / FKM	24345152	○
410	386	7,6	8,1	12	14	2	PTFE B602 / NBR	24275937	○
410	386	7,6	8,1	12	14	2	PTFE GM201 / NBR	24276258	○
410	386	7,6	8,1	12	14	2	PTFE B602 / FKM	24345153	○
420	396	7,6	8,1	12	14	2	PTFE B602 / NBR	24275939	○
420	396	7,6	8,1	12	14	2	PTFE GM201 / NBR	24276260	○
420	396	7,6	8,1	12	14	2	PTFE B602 / FKM	24345154	○
430	406	7,6	8,1	12	14	2	PTFE B602 / NBR	24275941	○
430	406	7,6	8,1	12	14	2	PTFE GM201 / NBR	24276262	○
430	406	7,6	8,1	12	14	2	PTFE B602 / FKM	24345155	○
440	416	7,6	8,1	12	14	2	PTFE B602 / NBR	24275943	○
440	416	7,6	8,1	12	14	2	PTFE GM201 / NBR	24276264	○
440	416	7,6	8,1	12	14	2	PTFE B602 / FKM	24354843	○
450	426	7,6	8,1	12	14	2	PTFE B602 / NBR	24275945	●
450	426	7,6	8,1	12	14	2	PTFE GM201 / NBR	24276266	○
450	426	7,6	8,1	12	14	2	PTFE B602 / FKM	24345157	○
460	436	7,6	8,1	12	14	2	PTFE B602 / NBR	24275947	○
460	436	7,6	8,1	12	14	2	PTFE GM201 / NBR	24276268	○
460	436	7,6	8,1	12	14	2	PTFE B602 / FKM	24345158	○
470	446	7,6	8,1	12	14	2	PTFE B602 / NBR	24275949	○
470	446	7,6	8,1	12	14	2	PTFE GM201 / NBR	24276269	○
470	446	7,6	8,1	12	14	2	PTFE B602 / FKM	24345159	○
480	456	7,6	8,1	12	14	2	PTFE B602 / NBR	24275951	○
480	456	7,6	8,1	12	14	2	PTFE GM201 / NBR	24276270	○
480	456	7,6	8,1	12	14	2	PTFE B602 / FKM	24345160	○
490	466	7,6	8,1	12	14	2	PTFE B602 / NBR	24275953	○
490	466	7,6	8,1	12	14	2	PTFE GM201 / NBR	24276271	○
490	466	7,6	8,1	12	14	2	PTFE B602 / FKM	24345161	○
500	476	7,6	8,1	12	14	2	PTFE B602 / NBR	24275955	●
500	476	7,6	8,1	12	14	2	PTFE GM201 / NBR	24276273	○
500	476	7,6	8,1	12	14	2	PTFE B602 / FKM	24345162	○
510	486	7,6	8,1	12	14	2	PTFE B602 / NBR	24275957	○
510	486	7,6	8,1	12	14	2	PTFE GM201 / NBR	24276275	○

● Available from stock ○ On request: Tool is available, delivery at short notice

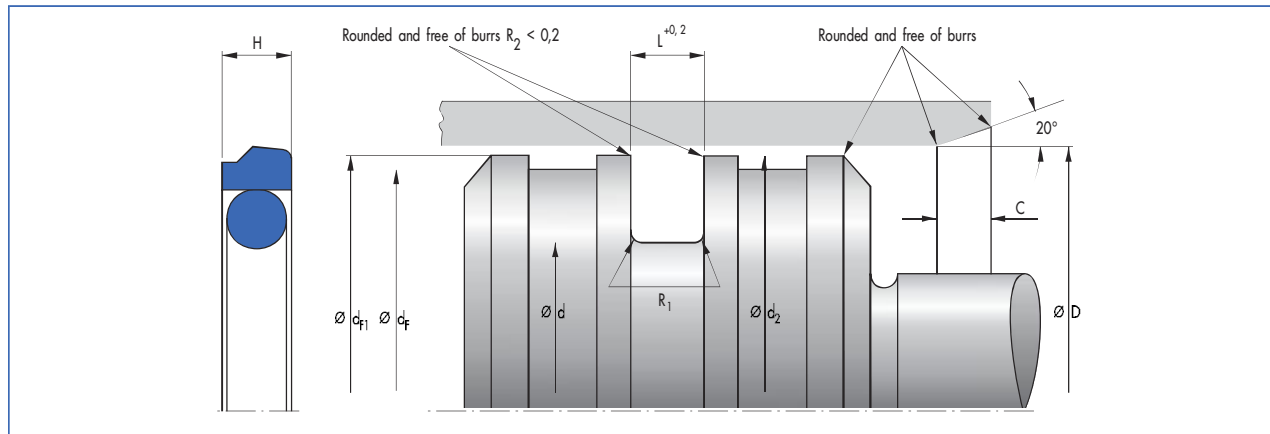


D	d	H	L	Profile	C	R ₁	Material	Article No.	
510	486	7,6	8,1	12	14	2	PTFE B602 / FKM	24345163	○
520	496	7,6	8,1	12	14	2	PTFE B602 / NBR	24275959	○
520	496	7,6	8,1	12	14	2	PTFE GM201 / NBR	24276277	○
520	496	7,6	8,1	12	14	2	PTFE B602 / FKM	24345164	○
530	506	7,6	8,1	12	14	2	PTFE B602 / NBR	24275961	○
530	506	7,6	8,1	12	14	2	PTFE GM201 / NBR	24276279	○
530	506	7,6	8,1	12	14	2	PTFE B602 / FKM	24354844	○
540	516	7,6	8,1	12	14	2	PTFE B602 / NBR	24275963	○
540	516	7,6	8,1	12	14	2	PTFE GM201 / NBR	24276281	○
540	516	7,6	8,1	12	14	2	PTFE B602 / FKM	24345166	○
550	526	7,6	8,1	12	14	2	PTFE B602 / NBR	24275965	○
550	526	7,6	8,1	12	14	2	PTFE GM201 / NBR	24276283	○
550	526	7,6	8,1	12	14	2	PTFE B602 / FKM	24345167	○
560	536	7,6	8,1	12	14	2	PTFE B602 / NBR	24275967	○
560	536	7,6	8,1	12	14	2	PTFE GM201 / NBR	24276285	○
560	536	7,6	8,1	12	14	2	PTFE B602 / FKM	24345168	○
570	546	7,6	8,1	12	14	2	PTFE B602 / NBR	24275969	○
570	546	7,6	8,1	12	14	2	PTFE GM201 / NBR	24276287	○
570	546	7,6	8,1	12	14	2	PTFE B602 / FKM	24345169	○
580	556	7,6	8,1	12	14	2	PTFE B602 / NBR	24275971	○
580	556	7,6	8,1	12	14	2	PTFE GM201 / NBR	24276289	○
580	556	7,6	8,1	12	14	2	PTFE B602 / FKM	24345170	○
590	566	7,6	8,1	12	14	2	PTFE B602 / NBR	24275973	○
590	566	7,6	8,1	12	14	2	PTFE GM201 / NBR	24276291	○
590	566	7,6	8,1	12	14	2	PTFE B602 / FKM	24345171	○
600	576	7,6	8,1	12	14	2	PTFE B602 / NBR	24275975	○
600	576	7,6	8,1	12	14	2	PTFE GM201 / NBR	24276293	○
600	576	7,6	8,1	12	14	2	PTFE B602 / FKM	24345172	○
610	586	7,6	8,1	12	14	2	PTFE B602 / NBR	24275977	○
610	586	7,6	8,1	12	14	2	PTFE GM201 / NBR	24276295	○
610	586	7,6	8,1	12	14	2	PTFE B602 / FKM	24345173	○
620	596	7,6	8,1	12	14	2	PTFE B602 / NBR	24275979	○
620	596	7,6	8,1	12	14	2	PTFE GM201 / NBR	24276297	○
620	596	7,6	8,1	12	14	2	PTFE B602 / FKM	24345174	○
630	606	7,6	8,1	12	14	2	PTFE B602 / NBR	24275981	○
630	606	7,6	8,1	12	14	2	PTFE GM201 / NBR	24276299	○
630	606	7,6	8,1	12	14	2	PTFE B602 / FKM	24345175	○

● Available from stock ○ On request: Tool is available, delivery at short notice

D	d	H	L	Profile	C	R ₁	Material	Article No.	
640	616	7,6	8,1	12	14	2	PTFE B602 / NBR	24275983	○
640	616	7,6	8,1	12	14	2	PTFE GM201 / NBR	24276331	○
640	616	7,6	8,1	12	14	2	PTFE B602 / FKM	24345176	○
650	626	7,6	8,1	12	14	2	PTFE B602 / NBR	24275985	○
650	626	7,6	8,1	12	14	2	PTFE GM201 / NBR	24276332	○
650	626	7,6	8,1	12	14	2	PTFE B602 / FKM	24345177	○
660	636	7,6	8,1	12	14	2	PTFE B602 / NBR	24275987	○
660	636	7,6	8,1	12	14	2	PTFE GM201 / NBR	24276333	○
660	636	7,6	8,1	12	14	2	PTFE B602 / FKM	24345178	○
670	642,7	8,7	9,5	13,65	15	2	PTFE B602 / NBR	24275989	○
670	642,7	8,7	9,5	13,65	15	2	PTFE GM201 / NBR	24276335	○
670	642,7	8,7	9,5	13,65	15	2	PTFE B602 / FKM	24345179	○
680	652,7	8,7	9,5	13,65	15	2	PTFE B602 / NBR	24269413	○
680	652,7	8,7	9,5	13,65	15	2	PTFE GM201 / NBR	24276337	○
680	652,7	8,7	9,5	13,65	15	2	PTFE B602 / FKM	24345180	○
690	662,7	8,7	9,5	13,65	15	2	PTFE B602 / NBR	24275993	○
690	662,7	8,7	9,5	13,65	15	2	PTFE GM201 / NBR	24276338	○
690	662,7	8,7	9,5	13,65	15	2	PTFE B602 / FKM	24345181	○
700	672,7	8,7	9,5	13,65	15	2	PTFE B602 / NBR	24275995	○
700	672,7	8,7	9,5	13,65	15	2	PTFE GM201 / NBR	24276339	○
700	672,7	8,7	9,5	13,65	15	2	PTFE B602 / FKM	24345182	○
710	682,7	8,7	9,5	13,65	15	2	PTFE B602 / NBR	24275997	○
710	682,7	8,7	9,5	13,65	15	2	PTFE GM201 / NBR	24276341	○
710	682,7	8,7	9,5	13,65	15	2	PTFE B602 / FKM	24345183	○
720	692,7	8,7	9,5	13,65	15	2	PTFE B602 / NBR	24275999	○
720	692,7	8,7	9,5	13,65	15	2	PTFE GM201 / NBR	24276343	○
720	692,7	8,7	9,5	13,65	15	2	PTFE B602 / FKM	24345184	○
730	702,7	8,7	9,5	13,65	15	2	PTFE B602 / NBR	24276001	○
730	702,7	8,7	9,5	13,65	15	2	PTFE GM201 / NBR	24276345	○
730	702,7	8,7	9,5	13,65	15	2	PTFE B602 / FKM	24345185	○
740	712,7	8,7	9,5	13,65	15	2	PTFE B602 / NBR	24276003	○
740	712,7	8,7	9,5	13,65	15	2	PTFE GM201 / NBR	24276347	○
740	712,7	8,7	9,5	13,65	15	2	PTFE B602 / FKM	24345186	○
750	722,7	8,7	9,5	13,65	15	2	PTFE B602 / NBR	24276005	○
750	722,7	8,7	9,5	13,65	15	2	PTFE GM201 / NBR	24276349	○
750	722,7	8,7	9,5	13,65	15	2	PTFE B602 / FKM	24345187	○
760	732,7	8,7	9,5	13,65	15	2	PTFE B602 / NBR	24276007	○
760	732,7	8,7	9,5	13,65	15	2	PTFE GM201 / NBR	24276351	○
760	732,7	8,7	9,5	13,65	15	2	PTFE B602 / FKM	24345188	○
770	742,7	8,7	9,5	13,65	15	2	PTFE B602 / NBR	24276009	○
770	742,7	8,7	9,5	13,65	15	2	PTFE GM201 / NBR	24276353	○
770	742,7	8,7	9,5	13,65	15	2	PTFE B602 / FKM	24345189	○
780	752,7	8,7	9,5	13,65	15	2	PTFE B602 / NBR	24276011	○
780	752,7	8,7	9,5	13,65	15	2	PTFE GM201 / NBR	24276355	○
780	752,7	8,7	9,5	13,65	15	2	PTFE B602 / FKM	24345190	○
790	762,7	8,7	9,5	13,65	15	2	PTFE GM201 / NBR	24267605	○
790	762,7	8,7	9,5	13,65	15	2	PTFE B602 / NBR	24276013	○
790	762,7	8,7	9,5	13,65	15	2	PTFE B602 / FKM	24345191	○
800	772,7	8,7	9,5	13,65	15	2	PTFE B602 / NBR	24276015	○
800	772,7	8,7	9,5	13,65	15	2	PTFE GM201 / NBR	24276359	○

● Available from stock ○ On request: Tool is available, delivery at short notice



D	d	H	L	Profile	C	R ₁	Material	Article No.	
800	772,7	8,7	9,5	13,65	15	2	PTFE B602 / FKM	24345192	○
810	782,7	8,7	9,5	13,65	15	2	PTFE B602 / NBR	24276017	○
810	782,7	8,7	9,5	13,65	15	2	PTFE GM201 / NBR	24276361	○
810	782,7	8,7	9,5	13,65	15	2	PTFE B602 / FKM	24345193	○
820	792,7	8,7	9,5	13,65	15	2	PTFE B602 / NBR	24276019	○
820	792,7	8,7	9,5	13,65	15	2	PTFE GM201 / NBR	24276362	○
820	792,7	8,7	9,5	13,65	15	2	PTFE B602 / FKM	24345194	○
830	802,7	8,7	9,5	13,65	15	2	PTFE B602 / NBR	24276023	○
830	802,7	8,7	9,5	13,65	15	2	PTFE GM201 / NBR	24276365	○
830	802,7	8,7	9,5	13,65	15	2	PTFE B602 / FKM	24345195	○
840	812,7	8,7	9,5	13,65	15	2	PTFE GM201 / NBR	24276344	○
840	812,7	8,7	9,5	13,65	15	2	PTFE B602 / FKM	24345196	○
850	822,7	8,7	9,5	13,65	15	2	PTFE B602 / NBR	24275933	○
850	822,7	8,7	9,5	13,65	15	2	PTFE GM201 / NBR	24276254	○
850	822,7	8,7	9,5	13,65	15	2	PTFE B602 / FKM	24345197	○
860	832,7	8,7	9,5	13,65	15	2	PTFE B602 / NBR	24275931	○
860	832,7	8,7	9,5	13,65	15	2	PTFE GM201 / NBR	24276252	○
860	832,7	8,7	9,5	13,65	15	2	PTFE B602 / FKM	24345198	○
870	842,7	8,7	9,5	13,65	15	2	PTFE B602 / NBR	24275966	○
870	842,7	8,7	9,5	13,65	15	2	PTFE GM201 / NBR	24276284	○
870	842,7	8,7	9,5	13,65	15	2	PTFE B602 / FKM	24345199	○
880	852,7	8,7	9,5	13,65	15	2	PTFE B602 / NBR	24276016	○
880	852,7	8,7	9,5	13,65	15	2	PTFE GM201 / NBR	24276360	○
880	852,7	8,7	9,5	13,65	15	2	PTFE B602 / FKM	24345200	○
890	862,7	8,7	9,5	13,65	15	2	PTFE B602 / NBR	24275988	○
890	862,7	8,7	9,5	13,65	15	2	PTFE GM201 / NBR	24276334	○
890	862,7	8,7	9,5	13,65	15	2	PTFE B602 / FKM	24345201	○
900	872,7	8,7	9,5	13,65	15	2	PTFE B602 / NBR	24275946	○
900	872,7	8,7	9,5	13,65	15	2	PTFE GM201 / NBR	24276267	○
900	872,7	8,7	9,5	13,65	15	2	PTFE B602 / FKM	24345202	○
910	882,7	8,7	9,5	13,65	15	2	PTFE B602 / NBR	24275982	○
910	882,7	8,7	9,5	13,65	15	2	PTFE GM201 / NBR	24276300	○
910	882,7	8,7	9,5	13,65	15	2	PTFE B602 / FKM	24345203	○
920	892,7	8,7	9,5	13,65	15	2	PTFE B602 / NBR	24275980	○
920	892,7	8,7	9,5	13,65	15	2	PTFE GM201 / NBR	24276298	○
920	892,7	8,7	9,5	13,65	15	2	PTFE B602 / FKM	24345204	○
930	902,7	8,7	9,5	13,65	15	2	PTFE B602 / NBR	24275978	○

● Available from stock ○ On request: Tool is available, delivery at short notice

D	d	H	L	Profile	C	R ₁	Material	Article No.	
930	902,7	8,7	9,5	13,65	15	2	PTFE GM201 / NBR	24276296	<input type="radio"/>
930	902,7	8,7	9,5	13,65	15	2	PTFE B602 / FKM	24345205	<input type="radio"/>
940	912,7	8,7	9,5	13,65	15	2	PTFE B602 / NBR	24275928	<input type="radio"/>
940	912,7	8,7	9,5	13,65	15	2	PTFE GM201 / NBR	24276249	<input type="radio"/>
940	912,7	8,7	9,5	13,65	15	2	PTFE B602 / FKM	24345206	<input type="radio"/>
950	922,7	8,7	9,5	13,65	15	2	PTFE B670 / NBR	24275976	<input type="radio"/>
950	922,7	8,7	9,5	13,65	15	2	PTFE GM201 / NBR	24276294	<input type="radio"/>
950	922,7	8,7	9,5	13,65	15	2	PTFE B602 / FKM	24345207	<input type="radio"/>

● Available from stock ○ On request: Tool is available, delivery at short notice

Merkel Omegat OMK-PU

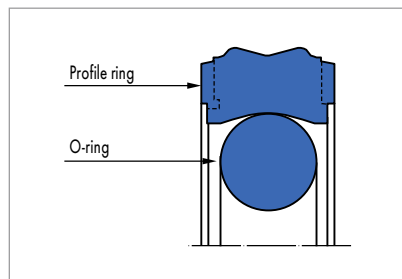


Fig. 1 Merkel Omegat OMK-PU

Product description

Two-piece Merkel piston seal set comprising one polyurethane profile ring with one O-ring as a pre-load component.

Product advantages

Merkel Omegat OMK-PU is used for sealing pistons with pressure on both sides for medium duty applications, and is also designed for housings according to ISO 7425 , Part 1

- Increased sealing effect
- Robust design
- Requires small housing
- Easy fitting.

Application

Industrial vehicles, agricultural machinery, cranes, standard cylinders.

Material

Profile ring

Material	Code	Hardness
Polyurethane	95 AU V142	95 Shore A

Elastomer profile ring

Material	Code	Hardness
Nitrile rubber NBR	70 NBR B276	70 Shore A

Other materials are available on request.

Operating conditions

Material	95 AU V142/ 70 NBR B276
	Temperature range in °C
Hydraulic oils HL, HLP	-30 ... +100
HFA fluids	+5 ... +50
HFB fluids	+5 ... +50
HFC fluids	-30 ... +40
HFD fluids	-
Water	+5 ... +50
HETG (rapeseed oil)	-30 ... +60
HEES (synthetic esters)	-30 ... +80
HEPG (glycol)	-30 ... +50
Mineral greases	-30 ... +100
Pressure p in MPa	25
Running speed v in m/s	0,5

Surface quality

Surface roughness	R_a	R_{max}
Sliding surface	0,05 ... 0,3 μm	$\leq 2,5 \mu\text{m}$
Groove base	$\leq 1,6 \mu\text{m}$	$\leq 6,3 \mu\text{m}$
Groove flanks	$\leq 3,0 \mu\text{m}$	$\leq 15,0 \mu\text{m}$

Percentage contact area $M_v > 50\%$ to max. 90% at cutting depth $c = R_z/2$ and reference line $C_{ref} = 0\%$.

Design notes

Please observe our general design notes in → Technical Manual.

Gap dimension

The largest gap dimension occurring on the non-pressurised side of the seal in operation is of vital importance for the function of the seal. → Technical Manual.

Profile	Max. permissible gap dimension			
	16 MPa		26 MPa	
	60 °C	80 °C	60 °C	80 °C
≤10,5	0,50	0,40	0,35	0,24

Tolerance recommendation and dimension d2

When designing d2, the admissible gap width, tolerances, guide play and deflection of the guide under load are to be taken into account. → Technical Manual. Regard must be paid to the dimensions d1 and dF in connection with the guide element used.

Tolerance recommendations for piston designs with guide ring

Nominal Ø D	16 MPa		26 MPa	
	D	d	D	d
≤200	H8	h7	H8	h7

Tolerance recommendations for piston designs with metallic guide

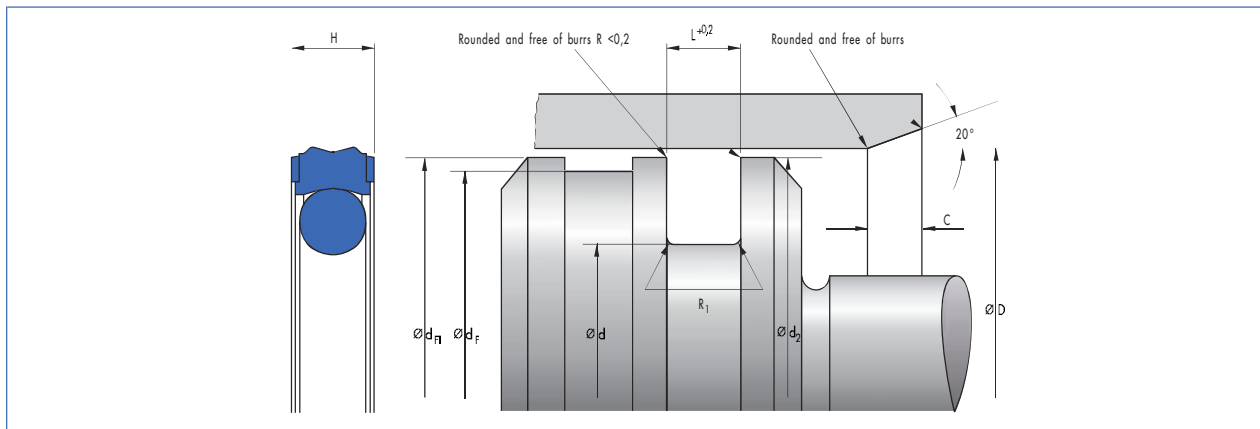
Nominal Ø D	D	d
≤80	H9	f8
80 ... 160	H8	f7
160 ... 200	H7	f7

Fitting & installation

Careful fitting is a prerequisite for the correct function of the seal.

→ Technical Manual.

Article list



D	d	H	L	Profile	C	R ₁	Housing	Material	Article No.	
20	12,5	3	3,2	3,75	3	0,5	ISO	95 AU V142	24341354	○
32	21	4	4,2	5,5	4,5	0,5	ISO	95 AU V142	24341356	○
40	29	4	4,2	5,5	4,5	0,5	ISO	95 AU V142	24341357	○
45	34	4	4,2	5,5	4,5	0,5		95 AU V142	24341025	○
50	34,5	6	6,3	7,75	6	0,5	ISO	95 AU V142	24341045	○
50	39	4	4,2	5,5	4,5	0,5	ISO	95 AU V142	24341050	○
55	39,5	6	6,3	7,75	4,5	0,5		95 AU V142	24361251	○
55	44	4	4,2	5,5	4,5	0,5		95 AU V142	24341026	○
60	49	4	4,2	5,5	4,5	0,5		95 AU V142	24341027	○
63	47,5	6	6,3	7,75	6	0,5	ISO	95 AU V142	24341046	○
63	52	4	4,2	5,5	4,5	0,5	ISO	95 AU V142	24341049	○
65	54	4	4,2	5,5	4,5	0,9		95 AU V142	24341028	○
70	59	4	4,2	5,5	4,5	0,9		95 AU V142	24341029	○
80	64,5	6	6,3	7,75	6	0,9		95 AU V142	24333982	○
90	74,5	6	6,3	7,75	6	0,9		95 AU V142	24341022	○
100	84,5	6	6,3	7,75	6	0,9	ISO	95 AU V142	24333983	○
110	94,5	6	6,3	7,75	6	0,9		95 AU V142	24341023	○
120	104,5	6	6,3	7,75	6	0,9		95 AU V142	24341024	○
125	104	7,7	8,1	10,5	8	0,9	ISO	95 AU V142	24341056	○
125	109,5	6	6,3	7,75	6	0,9	ISO	95 AU V142	24341358	○
140	119	7,7	8,1	10,5	8	0,9		95 AU V142	24341047	○
160	139	7,7	8,1	10,5	8	0,9	ISO	95 AU V142	24341048	○
200	179	7,7	8,1	10,5	8	0,9	ISO	95 AU V142	24341359	○

● Available from stock ○ On request: Tool is available, delivery at short notice

Merkel U-Ring Seal Set 0217

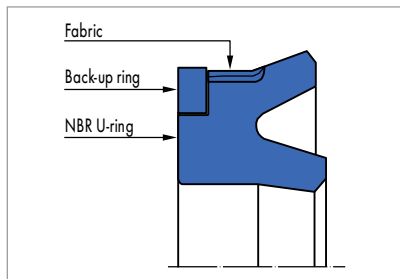


Fig. 1 Merkel U-Ring Seal Set 0217

Product description

Two-piece Merkel seal set comprising an elastomer U-ring with an elastomer sealing edge, a fabric reinforcement on the contact area and an active back-up ring.

Product advantages

Single-acting piston seal for use in hydraulics or pneumatics

- Low friction due to fabric reinforcement
- Large range of dimensions
- Activated back-up ring prevents extrusion.

Application

Pneumatic applications.

Material

U-ring

Material	Code
NBR U-ring	80 NBR B246
Cotton fabric	BI-NBR B4 B248

Back-up ring

	Material	Code
D <300 mm	POM	POM PO202
D >300 mm	Polyamide	PA 6.G200

Other materials like PTFE bronze back-up ring on enquiry.

Operating conditions

Material	80 NBR B246/ BI-NBR B4B248/ POM PO202	80 NBR B246/ BI-NBR B4 B248/ PA 6.G200
	Temperature range in °C	
Hydraulic oils HL, HLP	-30 ... +100	-30 ... +100
HFA fluids	+5 ... +60	+5 ... +60
HFB fluids	+5 ... +60	+5 ... +60
HFC fluids	-30 ... +60	-30 ... +60
HFD fluids	-	-
Water	+5 ... +100	+5 ... +100
HETG (rapeseed oil)	-30 ... +80	-30 ... +80
HEES (synthetic esters)	-30 ... +80	-30 ... +80
HEPG (glycol)	-30 ... +60	-30 ... +60
Mineral greases	-30 ... +100	-30 ... +100
Pressure p in MPa Hydraulic	25 or 40*	
Pressure p in MPa Pneumatic	5	
Running speed v in m/s	1,5	

* max. pressure depends on the profile.

Surface quality

Surface roughness	R _a	R _{max}
Sliding surface	0,05 ... 0,3 µm	≤2,5 µm
Groove base	≤1,6 µm	≤6,3 µm
Groove flanks	≤3,0 µm	≤15,0 µm

Percentage contact area M_r >50% to max. 90% at cutting depth c = Rz/2 and reference line C ref = 0%.

Design notes

Please observe our general design notes in → Technical Manual.

Max. admissible gap dimensions

Back-up ring height h	16 MPa			26 MPa			32 MPa			40 MPa		
	D	d	X2	D	d	X2	D	d	X2	D	d	X2
1,5	H8	h10	0,50	H8	h10	0,50	H8	h10	0,40	H8	h10	0,30
2,5	H8	h10	0,80	H8	h10	0,70	H8	h10	0,60	H8	h10	0,40
3,0	H8	h10	0,80	H8	h10	0,70	H8	h10	0,60	H8	h10	0,40
3,5	H8	h10	1,20	H8	h10	1,00	H8	h10	0,65	H8	h10	0,50
4,0	H8	h10	1,20	H8	h10	1,00	H8	h10	0,65	H8	h10	0,50
5,0	H8	h10	1,80	H8	h10	1,40	H8	h10	0,90	H8	h10	0,70
6,0	H8	h10	1,80	H8	h10	1,40	H8	h10	0,90	H8	h10	0,70
8,0	H8	h10	2,00	H8	h10	1,60	H8	h10	1,10	H8	h10	0,90

Gap dimension X2

The largest gap dimension occurring on the non-pressurised side of the seal in operation is of vital importance for the function of the seal. → Technical Manual.

Tolerance recommendation and dimension d2

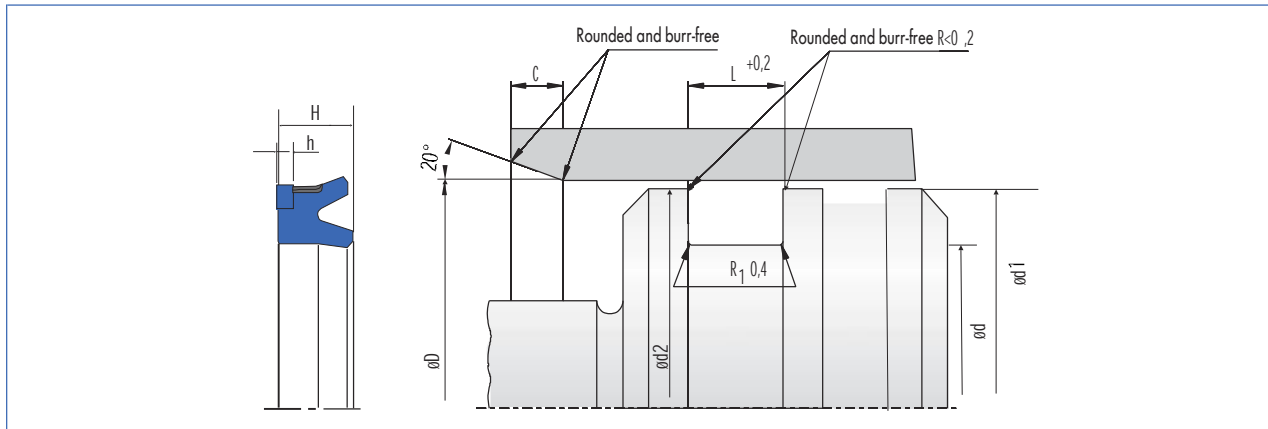
The admissible gap width, tolerances, guide play and deflection of the guide under load are to be taken into account when designing d2. → Technical Manual.

Fitting & installation

Careful fitting is a prerequisite for the correct function of the seal.

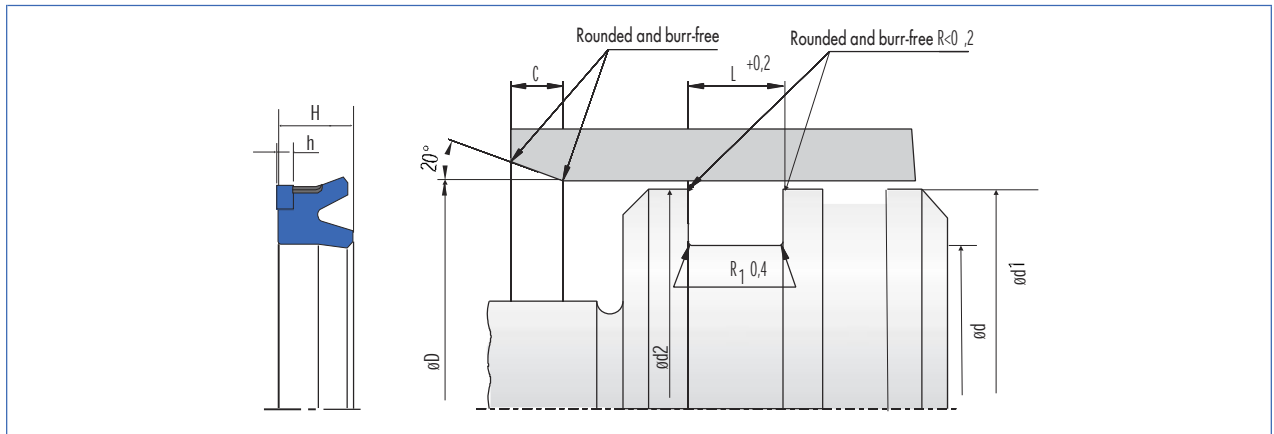
→ Technical Manual.

Article list



D	d	H	L	Profile	Height H of back-up ring	Material	Article No.	
200	170	22	23	15	3,5	80 NBR B246	24291117	○
220	190	22	23	15	4	80 NBR B246	24245130	○
228,6	196,8	22,2	23,4	15,9	3	80 NBR B246	24245133	○
235	205	18	19	15	3,5	80 NBR B246	24298553	○
240	210	22	23	15	4	80 NBR B246	24265118	○
250	220	22	23	15	3,5	80 NBR B246	24291116	○
250	225	18,8	20	12,5	2,5	85 NBR B248	24245127	○
270	240	22	23	15	4	80 NBR B246	24245131	○
300	270	19	20			80 NBR B246	24265068	○
300	270	22	23	15	3,5	80 NBR B246	24292037	○
310	280	22	23	15	4	80 NBR B246	24245128	○
320	290	23,5	25	15	2,5	80 NBR B246	24245126	○
330	300	22	23	15	4	80 NBR B246	24245134	○
340	310	22	23	15	3,5	80 NBR B246	24301448	○
350	320	22	23			80 NBR B246	24265069	○
350	320	22	23	15	4	80 NBR B246	24269895	○
360	330	25	26	15	3,5	80 NBR B246	24290774	○
380	350	25	26	15	4	80 NBR B246	24245490	○
400	360	30,5	32	20	2,5	80 NBR B246	24245491	○
420	390	25	26	15	4	80 NBR B246	24245492	○
430	400	25	26	15	4	80 NBR B246	24292147	○
450	410	30	32	20	6	80 NBR B246	24245493	○
450	420	25	26	15	4	80 NBR B246	24240357	○
450	420	25	26			80 NBR B246	24245122	○
470	440	25	26	15	4	80 NBR B246	24266415	○
470	440	25	26	15	4	80 NBR B246	24266416	○
480	450	25	26			80 NBR B246	24249169	○
480	450	25	26	15	4	80 NBR B246	24250323	○
500	460	23,9	25,4	20	5	80 NBR B246	24351681	○
500	470	25	26	15	4	80 NBR B246	24269878	○
530	500	25	26	15	4	80 NBR B246	24245121	○
560	530	25	26	15	4	80 NBR B246	24266461	○
600	560	25	26,5	20	4	80 NBR B246	24250324	○
630	580	32	34	25	5	80 NBR B246	24331932	○
630	600	25	26	15	5	80 NBR B246	24269879	○

● Available from stock ○ On request: Tool is available, delivery at short notice



D	d	H	L	Profile	Height H of back-up ring	Material	Article No.	
670	630	25	26,5	20	4	80 NBR B246	24250098	○
670	630	25	28			80 NBR B246	24250325	○
680	640	30	32	20	6	80 NBR B246	24237741	○
680	640	30	32			80 NBR B246	24265070	○
710	670	25	26,5	20	6	80 NBR B246	24238026	○
750	710	25	26,5	20	5	80 NBR B246	24289980	○
800	750	32	33,5			80 NBR B246	24265071	○
800	750	32	33,5	25	8	80 NBR B246	24269896	○
850	800	32	34	25	5	80 NBR B246	24294582	○
900	850	32	34	25	5	80 NBR B246	24294445	○
950	900	32	34	25	5	80 NBR B246	24295008	○
1000	950	32	34	25	8	80 NBR B246	24269897	○
1060	1000	40	42	30	8	80 NBR B246	24297224	○
1120	1060	40	42	30	8	80 NBR B246	24294591	○

● Available from stock ○ On request: Tool is available, delivery at short notice

Merkel U-Ring Seal Set 0215

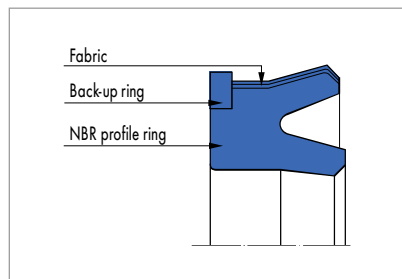


Fig. 1 Merkel U-Ring Seal Set 0215

Product description

Two-piece Merkel seal set comprising an elastomer U-ring with a fabric reinforcement on the contact area up to over the sealing edge and an active back-up ring.

Product advantages

Single-acting piston seal for use in hydraulics or pneumatics

- Low friction due to fabric reinforcement
- Large range of dimensions
- Activated back-up ring prevents extrusion.

Application

Injection moulding machines, iron and steel technology, presses, marine hydraulics, steel hydraulics engineering, scrap cutters, pneumatic cylinders.

Material

U-Ring

Material	Code
NBR U-ring	80 NBR B246
Cotton fabric	BI-NBR B4 B248

Back-up ring

	Material	Code
D <300 mm	Polyacetal POM	POM PO202
D >300 mm	Polyamide	PA 6.G200

Other materials like PTFE bronze back-up ring on enquiry.

Operating conditions

Material	80 NBR B246/BI-NBR B4B248/POM PO202	80 NBR B246/BI-NBR B4 B248/PA 6.G200
	Temperature range in °C	
Hydraulic oils HL, HLP	-30 ... +100	-30 ... +100
HFA fluids	+5 ... +60	+5 ... +60
HFB fluids	+5 ... +60	+5 ... +60
HFC fluids	-30 ... +60	-30 ... +60
HFD fluids	-	-
Water	+5 ... +100	+5 ... +100
HETG (rapeseed oil)	-30 ... +80	-30 ... +80
HEES (synthetic esters)	-30 ... +80	-30 ... +80
HEPG (glycol)	-30 ... +60	-30 ... +60
Mineral greases	-30 ... +100	-30 ... +100
Pressure p in MPa Hydraulic	25 or 40*	
Pressure p in MPa Pneumatic	5	
Running speed v in m/s	1,5	

* max. pressure depends on the profile.

Surface quality

Surface roughness	R _a	R _{max}
Sliding surface	0,05 ... 0,3 µm	≤2,5 µm
Groove base	≤1,6 µm	≤6,3 µm
Groove flanks	≤3,0 µm	≤15,0 µm

Percentage contact area M_r >50% to max. 90% at cutting depth c = Rz/2 and reference line C ref = 0%.

Design notes

Please observe our general design notes in → Technical Manual.

Back-up ring height h	16 MPa			26 MPa			32 MPa			40 MPa		
	D	d	X2	D	d	X2	D	d	X2	D	d	X2
1,5	H8	h10	0,50	H8	h10	0,50	H8	h10	0,40	H8	h10	0,30
2,5	H8	h10	0,80	H8	h10	0,70	H8	h10	0,60	H8	h10	0,40
3,0	H8	h10	0,80	H8	h10	0,70	H8	h10	0,60	H8	h10	0,40
3,5	H8	h10	1,20	H8	h10	1,00	H8	h10	0,65	H8	h10	0,50
4,0	H8	h10	1,20	H8	h10	1,00	H8	h10	0,65	H8	h10	0,50
5,0	H8	h10	1,80	H8	h10	1,40	H8	h10	0,90	H8	h10	0,70
6,0	H8	h10	1,80	H8	h10	1,40	H8	h10	0,90	H8	h10	0,70
8,0	H8	h10	2,00	H8	h10	1,60	H8	h10	1,10	H8	h10	0,90

Gap dimension X2

The largest gap dimension occurring on the non-pressurised side of the seal in operation is of vital importance for the function of the seal. → Technical Manual.

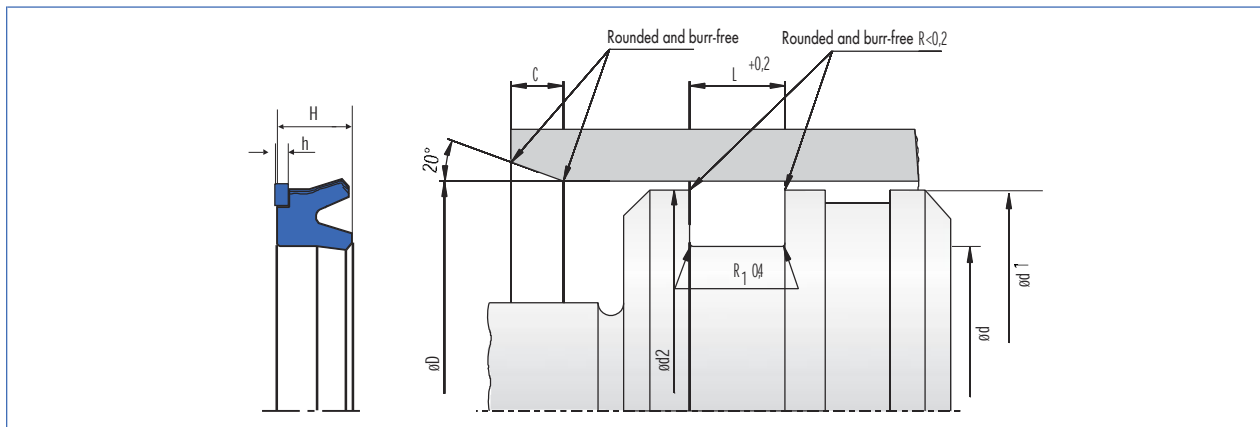
Tolerance recommendation and dimension d2

The admissible gap width, tolerances, guide play and deflection of the guide under load are to be taken into account when designing d2. → Technical Manual.

Fitting & installation

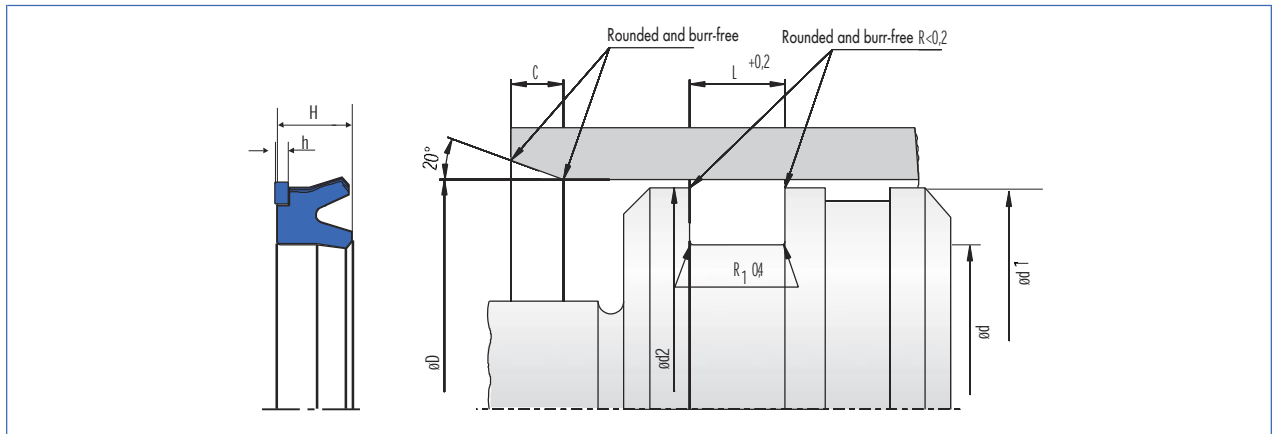
Careful fitting is a prerequisite for the correct function of the seal.
→ Technical Manual.

Article list



D	d	H	L	Profile	Height H of back-up ring	Material	Article No.	
80	65	11,8	13	7,5	2,5	80 NBR B246	24142953	○
100	85	11,8	13	7,5	2,5	80 NBR B246	24140707	○
125	105	15	16	10	2,5	80 NBR B246	24142955	○
160	140	15	16	10	2,5	80 NBR B246	24142958	○
200	175	18,8	20	12,5	2,5	80 NBR B246	24142961	○
220	190	22	23	15	4	80 NBR B246	24238654	○
250	220	22	23	15	3,5	80 NBR B246	24299010	○
250	225	18,8	20	12,5	2,5	80 NBR B246	24142964	○
270	240	22	23	15	4	80 NBR B246	24244485	○
300	270	19	20	15	5	80 NBR B246	24265068	○
310	280	22	22,3	15	4	80 NBR B246	24240365	○
320	290	23,5	25	15	2,5	80 NBR B246	24142967	○
330	300	22	23	15	4	80 NBR B246	24238760	○
340	310	22	23	15	3,5	80 NBR B246	24301449	○
350	320	22	23	15	4	80 NBR B246	24265069	○
350	320	22	23	15	4	80 NBR B246	24334236	○
360	330	25	26	15	3,5	80 NBR B246	24308767	○
370	330	28	29,5	20	5	80 NBR B246	24297841	○
380	350	25	26	15	4	80 NBR B246	24240361	○
400	360	30,5	32	20	2,5	80 NBR B246	24142970	○
400	370	25	26	15	4	80 NBR B246	24241348	○
420	390	25	26	15	4	80 NBR B246	24238275	○
430	400	25	26	15	4	80 NBR B246	24292148	○
450	410	30	32	20	6	80 NBR B246	24245119	○
450	420	25	26	15	4	80 NBR B246	24240357	○
450	420	25	26	15	4	80 NBR B246	24245122	○
470	440	25	26	15	4	80 NBR B246	24266415	○
480	450	25	26	15	4	80 NBR B246	24249169	○
490	450	34	35,5	20	5	80 NBR B246	24297820	○
500	470	25	26	15	4	80 NBR B246	24292218	○
530	500	25	26	15	4	80 NBR B246	24241691	○
670	630	25	28	20	4	80 NBR B246	24250325	○
680	640	30	32	20	6	80 NBR B246	24237741	○
680	640	30	32	20	6	80 NBR B246	24265070	○
710	670	25	26,5	20	6	80 NBR B246	24238026	○

● Available from stock ○ On request: Tool is available, delivery at short notice



D	d	H	L	Profile	Height H of back-up ring	Material	Article No.	
710	670	25	28	20	6	80 NBR B246	24245120	○
750	710	25	26,5	20	5	80 NBR B246	24294439	○
800	750	32	33,5	25	8	80 NBR B246	24265071	○
850	800	32	34	25	5	80 NBR B246	24294586	○
900	850	32	34	25	5	80 NBR B246	24294442	○

● Available from stock ○ On request: Tool is available, delivery at short notice

Merkel Compact Seal T 44

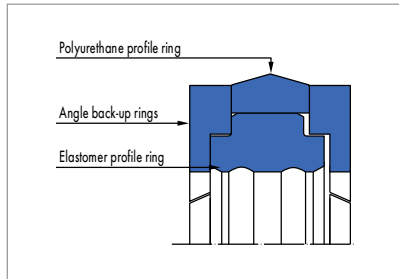


Fig. 1 Merkel Compact Seal T 44

Product description

Double-acting Merkel Compact Seal T 44 with semi-active angle back-up rings.

Product advantages

Merkel Compact Seal T 44 for sealing pistons which can be pressurised on both sides in plungers, pushers and subsidiary cylinders in self-advancing support systems

- Very good protection against extrusion even with pressure peaks
- High resistance to abrasion
- High contact pressure due to rubber profile ring.

Application

Mining.

Material

Polyurethane profile ring	Back-up rings	Elastomer profile ring
93 AU V167	Polyacetal POM PO202	85 NBR B203

Operating conditions

Material	93 AU V167/NBR/POM PO202
	Temperature range in °C
HFA fluids	+5 ... +60
HFD fluids	+5 ... +60
Pressure p in MPa *	150
Running speed v in m/s	0,1

Surface quality

Surface roughness	R _a	R _{max}
Sliding surface	0,05 ... 0,3 µm	≤2,5 µm
Groove base	≤1,6 µm	≤6,3 µm
Groove flanks	≤3,0 µm	≤15,0 µm

Percentage contact area M_r >50% to max. 90% at cutting depth c = Rz/2 and reference line C ref = 0%.

Design notes

Please observe our general design notes in → Technical Manual.

Gap dimension X2

The largest gap dimension occurring on the non-pressurised side of the seal in operation is of vital importance for the function of the seal. → Technical Manual.

Tolerance recommendation and dimension d2

The admissible gap width, tolerances, guide play and deflection of the guide under load are to be taken into account when designing d2.

Ø d	Profile	16 MPa			26 MPa			32 MPa			40 MPa		
		D	d	X2	D	d	X2	D	d	X2	D	d	X2
... 225	≤11.0 (BR 5,0 x 3,0)	H8	h9	1,1	H8	h9	0,8	H8	h9	0,6	H8	h9	0,5
... 350	>11.0 (BR 7,5 x 5,0)	H8	h9	1,6	H8	h9	1,2	H8	h9	0,9	H8	h9	0,7

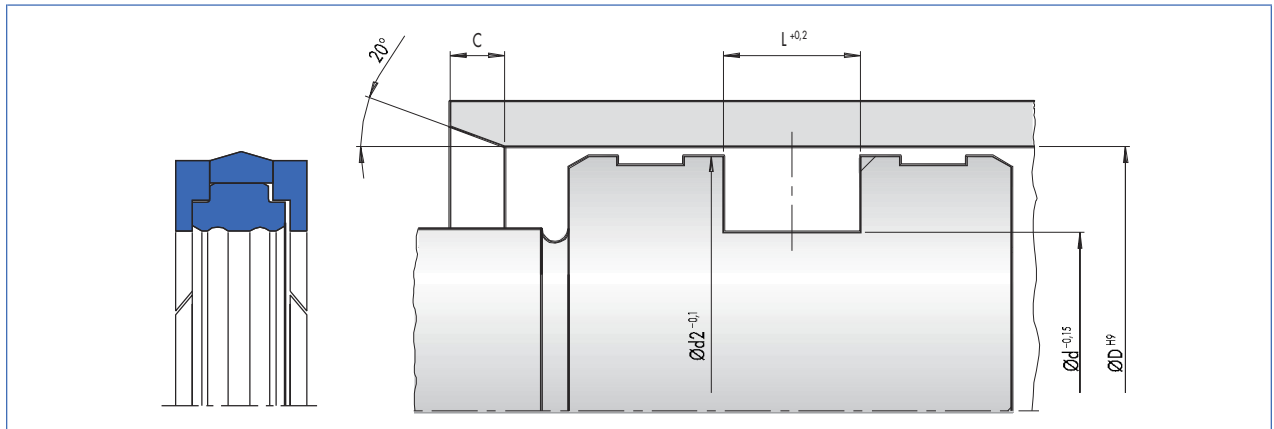
Profile recommendation

D	S	L
≤200	10,0	25
>200 ... 400	12,5	25
>400	15,0	30

Fitting & installation

Careful fitting is a prerequisite for the correct function of the seal
→ Technical Manual.

Article list



D	d	H	L	Profile	C	Material	Article No.	
110	85	28,5	28,5	12,5	6	93 AU V167	24368011	<input type="radio"/>
125	100	23,5	23,5	12,5	6	93 AU V167	24368012	<input type="radio"/>
140	115	24	24	12,5	6	93 AU V167	24368015	<input type="radio"/>
140	123	22,7	22,7	8,5	5	93 AU V167	24368016	<input type="radio"/>
150	130	28,5	28,5	10	5	93 AU V167	24368017	<input type="radio"/>
155	125	28,5	28,5	15	7,5	93 AU V167	24368018	<input type="radio"/>
160	138	28,5	28,5	11	6	93 AU V167	24362541	<input type="radio"/>
160	140	28,5	28,5	10	5	93 AU V167	24351260	<input type="radio"/>
200	175	24	24	12,5	6	93 AU V167	24368023	<input type="radio"/>
200	175	28,5	28,5	12,5	6	93 AU V167	24368024	<input type="radio"/>
216	196	28,5	28,5	10	5	93 AU V167	24356551	<input type="radio"/>
220	190	28,5	24,5	15	7,5	93 AU V167	24368027	<input type="radio"/>
235	210	23,5	23,5	12,5	6	93 AU V167	24351264	<input type="radio"/>
345	315	28	28,5	15	7,5	93 AU V167	24359635	<input type="radio"/>

● Available from stock ○ On request: Tool is available, delivery at short notice

Merkel Compact Seal T 42

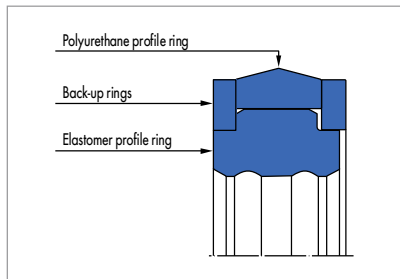


Fig. 1 Merkel Compact Seal T 42

Product description

Double-acting Merkel Compact Seal T 42 with back-up rings.

Product advantages

Merkel Compact Seal T 42 for sealing pistons which can be pressurised on both sides in plungers, pushers and subsidiary cylinders in self-advancing support systems

- Very good protection against extrusion even with pressure peaks
- High resistance to abrasion
- High contact pressure due to rubber profile ring.

Application

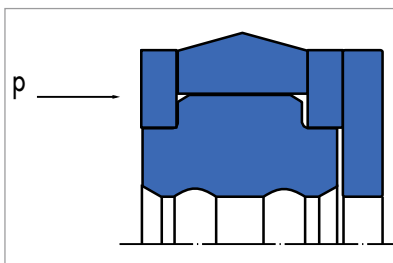
Mining.

Material

Polyurethane profile ring	Back-up rings	Elastomer profile ring
93 AU V167	POM PO202	85 NBR B203 80 NBR B246

Operating conditions

Material	93 AU V167/NBR/POM PO202
Temperature range in °C	
HFA fluids	+5 ... +60
HFD fluids	+5 ... +60
Pressure p in MPa *	50
Running speed v in m/s	0,1



* If a full-surface back-up ring is used on the side not subjected to high pressure, the use of up to 150 MPa is possible. The height of the backup-ring should be 5 mm.

Surface quality

Surface roughness	R _a	R _{max}
Sliding surface	0,05 ... 0,3 μm	≤2,5 μm
Groove base	≤1,6 μm	≤6,3 μm
Groove flanks	≤3,0 μm	≤15,0 μm

Percentage contact area M_v >50% to max. 90% at cutting depth c = Rz/2 and reference line C ref = 0%.

Design notes

Please observe our general design notes in → Technical Manual.

Tolerance recommendation

Ø d		16 MPa					26 MPa				
	Profile	D	d	D2	DF	X2	D	d	D2	DF	X2
... 230	>7,5 ... 10,0 (BR 5,0)	H8	h9	h9	h8	1,1	H8	h9	h9	h8	0,8
... 300	>10,0 ... 12,5 (BR 6,0)	H8	h9	h9	h8	1,6	H8	h9	h9	h8	1,2
... 380	>12,5 (BR 7,5 x 5,0)	H8	h9	h9	h8	1,6	H8	h9	h9	h8	1,2
... 140	≤7,5 (BR 4,0 x 3,0)	H8	h9	h9	h8	0,8	H8	h9	h9	h8	0,6
... 160	>7,5 ... 8,5 (BR 4,5)	H8	h9	h9	h8	0,8	H8	h9	h9	h8	0,6

Ø d		32 MPa					40 MPa				
	Profile	D	d	D2	DF	X2	D	d	D2	DF	X2
... 230	>7,5 ... 10,0 (BR 5,0)	H8	h9	h9	h8	0,6	H8	h9	h9	h8	0,5
... 300	>10,0 ... 12,5 (BR 6,0)	H8	h9	h9	h8	0,9	H8	h9	h9	h8	0,7
... 380	>12,5 (BR 7,5 x 5,0)	H8	h9	h9	h8	0,9	H8	h9	h9	h8	0,7
... 140	≤7,5 (BR 4,0 x 3,0)	H8	h9	h9	h8	0,5	H8	h9	h9	h8	0,4
... 160	>7,5 ... 8,5 (BR 4,5)	H8	h9	h9	h8	0,5	H8	h9	h9	h8	0,4

Gap dimension X2

The largest gap dimension occurring on the non-pressurised side of the seal in operation is of vital importance for the function of the seal. → Technical Manual.

Tolerance recommendation and dimension d2

When designing d₂ the admissible gap width, tolerances, guide play and deflection of the guide under load are to be taken into account → Technical Manual.

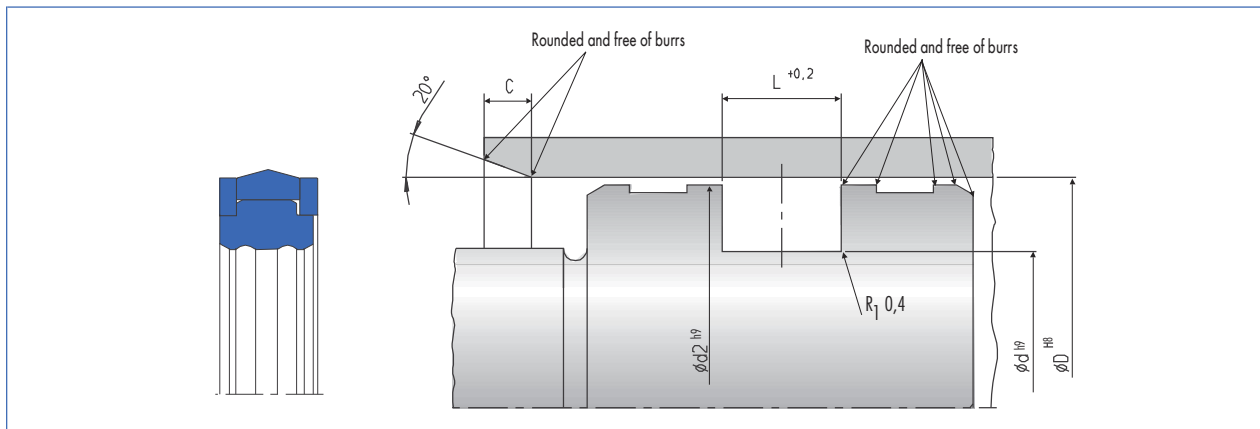
Profile recommendation

D	S	L
<150	7,5	16,0
150 ... 200	10,0	20,0
>200 ... 400	12,5	20,0
>400	15,0	25,0

Fitting & installation

Careful fitting is a prerequisite for the correct function of the seal. → Technical Manual.

Article list



D	d	H	L	Profile	C	Material	Article No.	
60	44	19	20,5	8	4	93 AU V167	24367984	○
105	91	15,2	16,5	7	4	93 AU V167	24367987	○
110	95	14,7	16	7,5	4	93 AU V167	24367988	○
115	97	21	22,5	9	5	93 AU V167	24367989	○
115	100	14,7	16	7,5	4	93 AU V167	24367990	○
120	105	14,7	16	7,5	4	93 AU V167	24367991	○
125	110	14,7	16	7,5	4	93 AU V167	24346872	○
125	110	14,7	16	7,5	4	93 AU V167	24367993	○
130	115	14,7	16	7,5	4	93 AU V167	24373713	○
135	120	14,7	16	7,5	4	93 AU V167	24367994	○
140	125	14,7	16	7,5	4	93 AU V167	24374443	○
150	133	18,5	20	8,5	5	93 AU V167	24373891	○
160	143	18,5	20	8,5	5	93 AU V167	24367996	○
165	145	18,5	20	10	5	93 AU V167	24361344	○
170	150	18,5	20	10	5	93 AU V167	24367998	○
175	155	18,5	20	10	5	93 AU V167	24366948	○
185	165	14,2	15,5	10	5	93 AU V167	24375902	○
185	165	18,5	20	10	5	93 AU V167	24361930	○
210	190	18,5	20	10	5	93 AU V167	24368002	○
245	220	22,5	24	12,5	6	93 AU V167	24368006	○
250	225	23,5	25	12,5	6	93 AU V167	24368007	○
260	235	23,9	25,4	12,5	6	93 AU V167	24373958	○
270	245	22,5	24	12,5	6	93 AU V167	24373583	○
320	290	28,5	30	15	7	93 AU V167	24368009	○
345	315	28,5	30	15	7	93 AU V167	24373956	○
360	330	29,5	31,5	15	7	93 AU V167	24373582	○
380	350	30	32	15	7	93 AU V167	24375290	○

● Available from stock ○ On request: Tool is available, delivery at short notice

Merkel U-Ring TMP 21

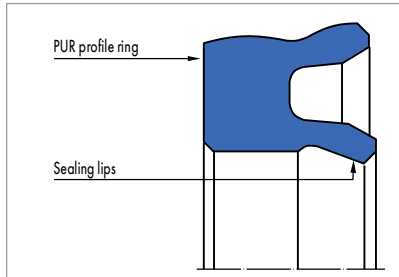


Fig. 1 Merkel U-Ring TMP 21

Product description

Single-acting Merkel U-Ring TMP 21 made from polyurethane.

Product advantages

Piston seal that is primarily used in pneumatic cylinders in heavy-duty mechanical engineering. The U-rings are designed for application of pressure on one side.

- High tightness
- Large range of dimensions
- Suitable for dry air
- No mould tools required.

Application

Presses, large cylinders.

Material

D < 500

Material	Code	Hardness	Colour
Polyurethane	93 AU V167	93 Shore A	red

D > 500

Material	Code	Hardness	Colour
Polyurethane	93 AU V168	93 Shore A	red

Operating conditions

Material	93 AU V167/93 AU V168
	Temperature range in °C
Pneumatic	Air, dried or oiled
Pressure p in MPa	2*
Running speed v in m/s	1,5

* short version < 1,2 MPa

Surface quality

Surface roughness	R _a	R _{max}
Sliding surface	0,05 ... 0,3 µm	≤ 2,5 µm
Groove base	≤ 1,6 µm	≤ 6,3 µm
Groove flanks	≤ 3,0 µm	≤ 15,0 µm

Percentage contact area M_r > 50% to max 90% at cutting depth c = RZ/2 and reference line C ref = 0%. Abrasive surfaces, ridges, scratches and blow-holes are to be avoided.

Design notes

Please observe our general design notes in → Technical Manual.

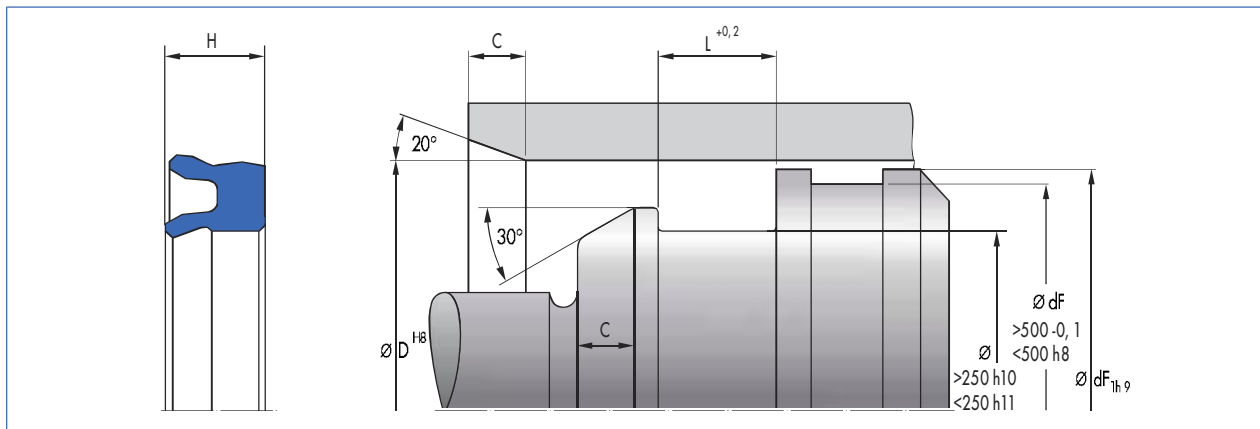
Housing recommendations for new designs

D	d	L	C
>70 ... 200	D - 20	16	8,5
>125 ... 345	D - 25	20	10,0
>180 ... 660	D - 30	24	11,5
>440 ... 840	D - 40	32	12,5
>850 ... 1250	D - 50	40	16,0
>1060 ... 2000	D - 60	48	18,0

Fitting & installation

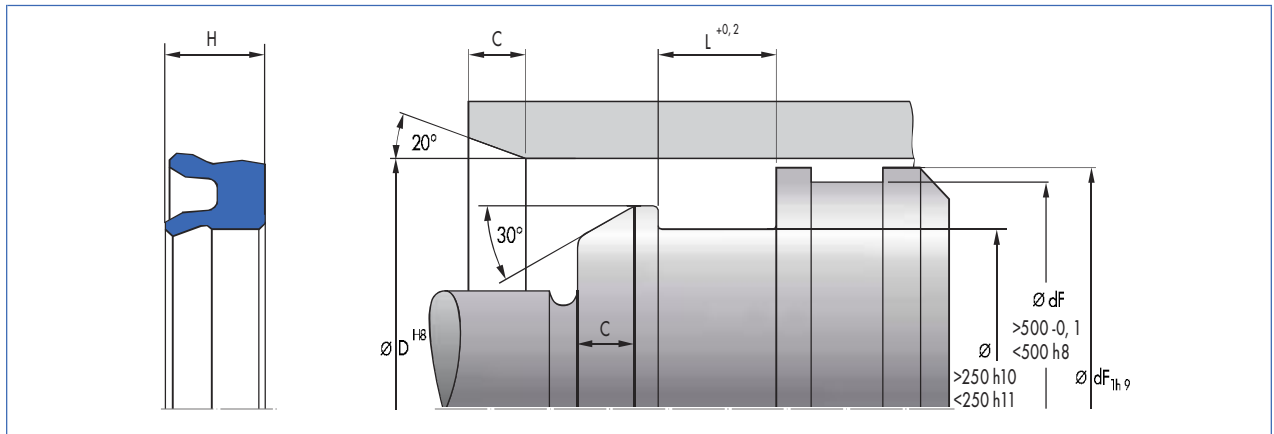
The piston seals can be pulled over the metallic face support shoulder by hand or by using an assessment aid (Gi-Hammer, lightly oiling or greasing seal). For different housings, e.g. in old plants, please consult our advisory service. For an optimum running-in and operation behaviour, the U-Rings should be lightly oiled or greased (initial lubrication) prior to use.

Article list



D	d	H	L	Profile	C	Material	Article No.	
200	170	20,9	23	15	11,5	93 AU V167	24370320	○
220	190	20,9	23	15	11,5	93 AU V167	24368204	○
230	200	20,9	23	15	11,5	93 AU V167	24368205	○
240	210	20,9	23	15	11,5	93 AU V167	24368206	○
250	220	20,9	23	15	11,5	93 AU V167	24368207	○
270	240	20,9	23	15	11,5	93 AU V167	24368317	○
280	250	20,9	23	15	11,5	93 AU V167	24368209	○
300	270	20,9	23	15	11,5	93 AU V167	24372471	○
310	280	20,9	23	15	11,5	93 AU V167	24368210	○
350	320	20,9	23	15	11,5	93 AU V167	24368212	○
360	330	20,9	23	15	11,5	93 AU V167	24377184	○
380	350	23,7	26	15	11,5	93 AU V167	24368213	○
420	390	23,7	26	15	11,5	93 AU V167	24372719	○
430	400	23,7	26	15	11,5	93 AU V167	24368215	○
450	420	23,7	26	15	11,5	93 AU V167	24368216	○
480	450	23,7	26	15	11,5	93 AU V167	24370400	○
500	470	23,7	26	15	11,5	93 AU V167	24368217	○
530	500	23,7	26	15	11,5	93 AU V167	24368219	○
550	520	23,7	26	15	11,5	93 AU V168	24380029	○
560	530	23,7	26	15	11,5	93 AU V168	24368220	○
600	560	24,9	26,5	20	12,5	93 AU V168	24368221	○
610	570	24,9	26,5	20	12,5	93 AU V168	49001223	○
630	600	23,7	26	15	11,5	93 AU V168	24367303	○
660	620	24,9	26,5	20	12,5	93 AU V168	49001224	○
670	630	24,9	26,5	20	12,5	93 AU V168	24376128	○
700	660	24,9	26,5	20	12,5	93 AU V168	49001225	○
710	670	24,9	26,5	20	12,5	93 AU V168	24368222	○
750	710	24,9	26,5	20	12,5	93 AU V168	24368223	○
800	750	32	34	25	16	93 AU V168	24368224	○
820	780	30,9	34	20	16	93 AU V168	49001226	○
840	790	32	34	25	12,5	93 AU V168	49005726	○
850	800	32	34	25	16	93 AU V168	24368225	○
900	850	32	34	25	16	93 AU V168	24368226	○
950	900	32	34	25	16	93 AU V168	24368227	○
1000	950	32	34	25	16	93 AU V168	24368228	○

● Available from stock ○ On request: Tool is available, delivery at short notice



D	d	H	L	Profile	C	Material	Article No.	
1060	1000	40	42,5	30	18	93 AU V168	24368050	○
1120	1060	40	42,5	30	18	93 AU V168	24368229	○
1180	1120	40	42,5	30	18	93 AU V168	24367969	○
1240	1180	40	42,5	30	18	93 AU V168	24367640	○

● Available from stock ○ On request: Tool is available, delivery at short notice

Merkel U-Ring TM 21

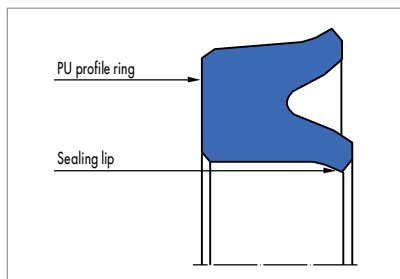


Fig. 1 Merkel U-Ring TM 21

Product description

Merkel U-ring with asymmetrical profile, inner lip set back and press fit at the outer diameter.

Product advantages

Single-acting piston seal for hydraulic cylinders used in heavy machinery areas. The highly wear-resistant polyurethane material allows for use under high operating requirements

- Good media resistance
- Broad range of temperatures
- Very good static and dynamic tightness
- No mould tools required
- Large range of dimensions.

Application

Injection moulding machines, presses, heavy machinery manufacture, large cylinders.

Material

Ø range <500

Material	Code	Hardness
Polyurethane	95 AU V142	95 Shore A

Ø range >500

Material	Code	Hardness
Polyurethane	93 AU V167	93 Shore A

Operating conditions

Material	95 AU V142	93 AU V167
	Temperature range in °C	
Hydraulic oils HL, HLP	-30 ... +110	-25 ... +100
HFA fluids	+5 ... +50	+5 ... +60
HFB fluids	+5 ... +50	+5 ... +60
HFC fluids	-30 ... +40	-25 ... +40
HFD fluids	-	-
Water	+5 ... +50	+5 ... +60
HETG (rapeseed oil)	-30 ... +60	-25 ... +60
HEES (synthetic esters)	-30 ... +80	-25 ... +80
HEPG (glycol)	-30 ... +50	-25 ... +50
Mineral greases	-30 ... +110	-25 ... +100
Pressure p in MPa	40	
Running speed v in m/s	0,5	

Surface quality

Surface roughness	R _a	R _{max}
Sliding surface	0,05 ... 0,3 µm	≤2,5 µm
Groove base	≤1,6 µm	≤6,3 µm
Groove flanks	≤3,0 µm	≤15,0 µm

Percentage contact area M_v >50% to max. 90% at cutting depth c = Rz/2 and reference line C ref = 0%.

Design notes

Please observe our general design notes in → Technical Manual.

Tolerance recommendation and dimension d2

The admissible gap width, tolerances, guide play and deflection of the guide under load are to be taken into account when designing D2. → Technical Manual.

Housing recommendations for new designs

Primary seal TM 20

D	d	L	C
>200 ... 630	D -30	25	9
>630 ... 800	D -40	32	11
>800 ... 2000	D -50	40	13

Recommended tolerances* for Merkel Guide Ring KB

D	16 MPa				26 MPa				
	Ø D	S	D	d	X2	S	D	d	X2
... 250	15	H8	h11	0,65	15	H8	h11	0,55	
... 500	15	H8	h11	0,65	15	H8	h11	0,55	
... 560	15	H8	h11	0,65	15	H8	h11	0,55	
... 450	20	H8	h11	0,67	20	H8	h11	0,57	
... 600	20	H8	h11	0,67	20	H8	h11	0,57	
... 750	20	H8	h11	0,67	20	H8	h11	0,57	
... 1000	25	H8	h11	0,70	25	H8	h11	0,60	
... 1400	25	H7	h11	0,70	25	H7	h11	0,60	

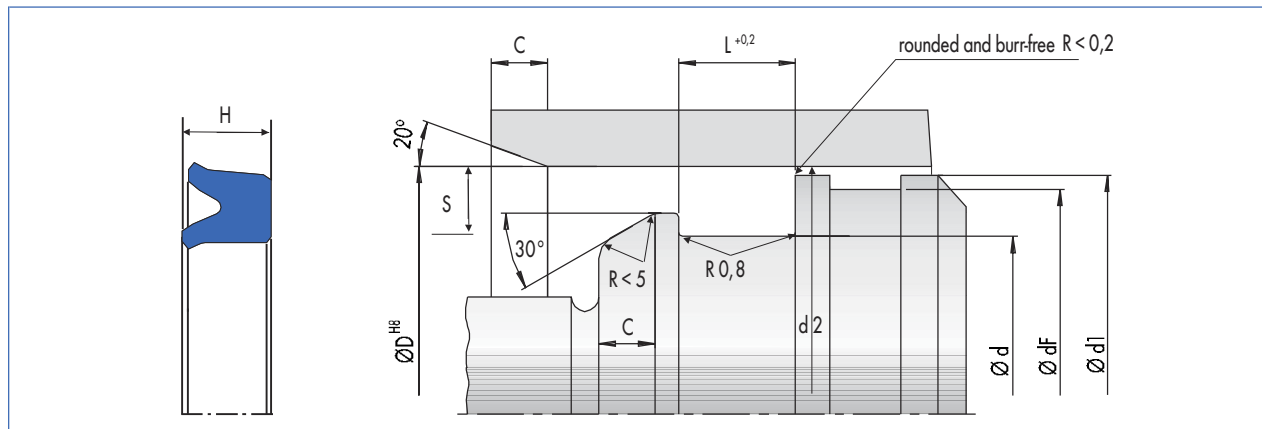
D	32 MPa				40 MPa				
	Ø D	S	D	d	X2	S	D	d	X2
... 250	15	H8	h11	0,45	15	H8	h11	0,40	
... 500	15	H8	h11	0,45	15	H7	h11	0,40	
... 560	15	H7	h11	0,45	15	H7	h11	0,40	
... 450	20	H8	h11	0,47	20	H8	h11	0,42	
... 600	20	H7	h11	0,47	20	H7	h11	0,42	
... 750	20	H7	h11	0,47	20	H7	h11	0,42	
... 1000	25	H7	h11	0,47	25	H7	h11	0,42	
... 1400	25	H7	h11	0,47	25	H7	h11	0,42	

* Profiles in accordance with "Housing recommendations for new designs".

Fitting & installation

An axially accessible housing is necessary for articles with the "M" marking.
For different housings, e. g. in old plants, please consult our advisory service.

Article list



D	d	H	L	Profile	C	Material	Article No.	
160	130	17,2	19	15	9	95 AU V142	24370477	○
180	150	17,2	19	15	9	95 AU V142	24370478	○
210	180	20,9	23	15	9	95 AU V142	24370479	○
220	190	20,9	23	15	9	95 AU V142	24368168	○
230	200	20,9	23	15	9	95 AU V142	24368169	○
240	210	20,9	23	15	9	95 AU V142	24368170	○
250	220	20,9	23	15	9	95 AU V142	24368171	○
280	250	20,9	23	15	9	95 AU V142	24367971	○
300	270	20,9	23	15	9	95 AU V142	24368173	○
310	280	20,9	23	15	9	95 AU V142	24368174	○
320	280	29,1	32	20	11	95 AU V142	24373867	○
330	300	20,9	23	15	9	95 AU V142	24368175	○
340	310	20,9	23	15	9	95 AU V142	529099	○
350	320	20,9	23	15	9	95 AU V142	24370480	○
360	320	29,1	32	20	11	95 AU V142	24368208	○
360	330	23,7	26	15	9	95 AU V142	24370481	○
380	350	23,7	26	15	9	95 AU V142	24363187	○
400	360	29,1	32	20	11	95 AU V142	24368177	○
400	370	23,7	26	15	9	95 AU V142	24362505	○
420	390	23,7	26	15	9	95 AU V142	24368178	○
430	400	23,7	26	15	9	95 AU V142	24368179	○
450	420	23,7	26	15	9	95 AU V142	24368180	○
460	420	29,1	32	20	11	95 AU V142	24371311	○
470	440	23,7	26	15	9	95 AU V142	24368182	○
480	450	23,7	26	15	9	95 AU V142	24368183	○
500	470	23,7	26	15	9	95 AU V142	24368184	○
560	530	23,7	26	15	9	93 AU V168	24370483	○
600	560	23,7	26	20	11	93 AU V168	24368186	○
680	640	29,1	32	20	11	93 AU V168	24368188	○
710	670	23,7	26	20	11	93 AU V168	24377403	○
800	750	30,5	33,5	25	13	93 AU V168	24372489	○
950	900	30,9	34	25	13	93 AU V168	24368191	○
1160	1110	31,9	35	25	13	93 AU V168	24359833	○

● Available from stock ○ On request: Tool is available, delivery at short notice

Merkel U-Ring T 18

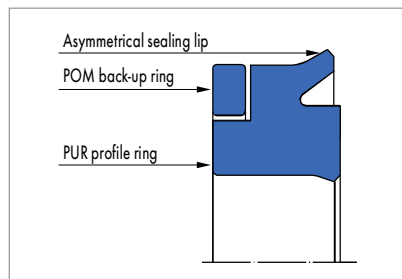


Fig. 1 Merkel U-Ring T 18

Product description

Merkel U-ring with integrated back-up ring, asymmetrical profile with pressure-relieving grooves, outer lip set back and press fit at the inside diameter.

Product advantages

Single-acting piston seal also for standardised housings according to ISO 5597

- Very good static and dynamic tightness
- High extrusion resistance (back-up ring)
- "back-to-back" arrangement for pistons with pressure on both sides
- High reliability
- Relief grooves against dynamic drag pressure.

Application

Heavy duty earth moving equipment, scrap shears.

Material

Profile ring

Material	Code	Hardness
Polyurethane	95 AU V142	95 Shore A

Back-up ring

Material	Code
Polyacetal	POM PO202

Other materials are available on request.

Operating conditions

Material	95 AU V142/POM PO202
	Temperature range in °C
Hydraulic oils HL, HLP	-30 ... +110
HFA fluids	+5 ... +50
HFB fluids	+5 ... +50
HFC fluids	-30 ... +40
HFD fluids	-
Water	+5 ... +50
HETG (rapeseed oil)	-30 ... +60
HEES (synthetic esters)	-30 ... +80
HEPG (glycol)	-30 ... +50
Mineral greases	-30 ... +110
Pressure p in MPa	40
Running speed v in m/s	0,5

Surface quality

Surface roughness	R _a	R _{max}
Sliding surface	0,05 ... 0,3 µm	≤2,5 µm
Groove base	≤1,6 µm	≤6,3 µm
Groove flanks	≤3,0 µm	≤15,0 µm

Percentage contact area M_r >50% to max. 90% at cutting depth c = Rz/2 and reference line C ref = 0%.

Design notes

Please observe our general design notes in → Technical Manual.

Gap dimension d2

The largest gap dimension occurring on the non-pressurised side of the seal in operation is of vital importance for the function of the seal. → Technical Manual. Regard must be paid to the dimensions d1 and df in relation with the guide element used.

Profile	Max. permissible gap dimension			
	16 MPa	26 MPa	32 MPa	40 MPa
7,5	0,80	0,70	0,50	0,40
>7,5	1,05	0,90	0,85	0,80

Tolerance recommendation and dimension d2

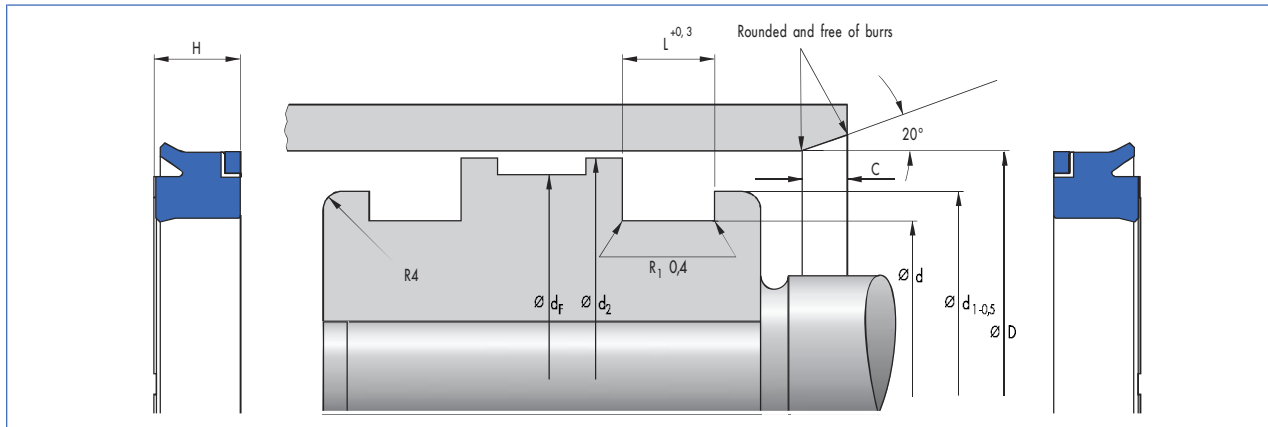
The admissible gap width, tolerances, guide play and deflection of the guide under load are to be taken into account when designing d2. → Technical Manual.

Nominal Ø D	<40 MPa	
	D	d
≤400	H8	h11

Fitting & installation

We recommend the use of a fitting tool for the fitting. Careful fitting is a prerequisite for the correct function of the seal. → Technical Manual.

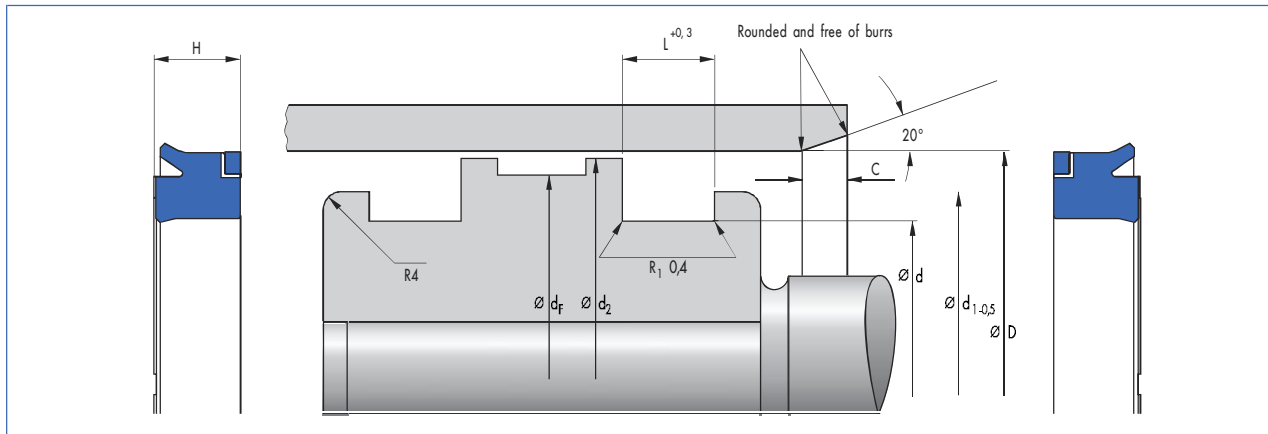
Article list



D	d	d ₁	H	L	Profile	C	Fitting	Housing	Material	Article No.	
40	25	35	9,3	9,5	7,5	4	W		95 AU V142	24245851	●
40	25	35	9,3	10	7,5	4	W		95 AU V142	24245876	●
45	30	40	9,3	9,5	7,5	4	W		95 AU V142	24245852	●
45	30	40	9,3	10	7,5	4	W		95 AU V142	24245877	●
50	35	45	9,3	9,5	7,5	4	W	ISO	95 AU V142	24245853	●
50	35	45	9,3	10	7,5	4	W		95 AU V142	24245878	●
55	40	50	9,3	9,5	7,5	4	W		95 AU V142	24245854	●
55	40	50	9,3	10	7,5	4	W		95 AU V142	24245879	●
60	45	55	9,3	9,5	7,5	4	W		95 AU V142	24245855	●
60	45	55	9,3	10	7,5	4	W		95 AU V142	24245880	●
63	48	58	9,3	9,5	7,5	4	W	ISO	95 AU V142	24245856	●
63	48	58	9,3	10	7,5	4	W		95 AU V142	24245881	●
65	50	60	9,3	9,5	7,5	4	W		95 AU V142	24245857	●
65	50	60	9,3	10	7,5	4	W		95 AU V142	24245882	●
70	50	64	12,2	12,5	10	5	W		95 AU V142	24245858	●
70	50	64	12,2	13	10	5	W		95 AU V142	24245883	●
70	55	64	9,3	9,5	7,5	4	H		95 AU V142	24298857	●
75	55	69	12,2	12,5	10	5	W		95 AU V142	24338114	●
80	60	74	12,2	12,5	10	5	W	ISO	95 AU V142	24245859	●
80	60	74	12,2	13	10	5	W		95 AU V142	24245884	●
80	65	75	9,3	9,5	7,5	4	H	ISO	95 AU V142	24290783	●
85	70	80	9,3	9,5	7,5	4	H		95 AU V142	24315436	●
90	70	84	12,2	12,5	10	5	W		95 AU V142	24245860	●
90	70	84	12,2	13	10	5	W		95 AU V142	24245885	●
90	75	85	9,3	9,5	7,5	4	H		95 AU V142	24298858	●
100	80	94	12,2	12,5	10	5	W	ISO	95 AU V142	24245861	●
100	80	94	12,2	13	10	5	W		95 AU V142	24245886	●
100	85	95	9,3	9,5	7,5	4	H	ISO	95 AU V142	24269439	●
105	85	99	12,2	13	10	5	W		95 AU V142	24345515	●
110	90	104	12,2	12,5	10	5	W		95 AU V142	24245862	●
110	90	104	12,2	13	10	5	W		95 AU V142	24245887	●
114	94	108	12,2	13	10	5	W		95 AU V142	24298411	○
115	95	109	12,2	12,5	10	5	W		95 AU V142	24245863	●
115	95	109	12,2	13	10	5	W		95 AU V142	24245888	●
125	100	117	15,2	15,5	12,5	6,5	W		95 AU V142	24245864	●

● Available from stock ○ On request: Tool is available, delivery at short notice

Fitting: H = by hand; W = with fitting tool; blank = axially accessible housing



D	d	d ₁	H	L	Profile	C	Fitting	Housing	Material	Article No.	
125	100	117	15,2	16,2	12,5	6,5	W		95 AU V142	24245865	●
125	100	117	15,2	16	12,5	6,5	W	ISO	95 AU V142	24245889	●
125	105	119	12,2	12,5	10	5	H	ISO	95 AU V142	24288858	●
130	110	124	12,2	12,5	10	5	W		95 AU V142	24269441	●
140	115	132	15,2	16,2	12,5	6,5	W		95 AU V142	24245866	●
140	115	132	15,2	15,5	12,5	6,5	W		95 AU V142	24245890	●
140	120	134	12,2	12,5	10	5	H		95 AU V142	24275200	●
150	120	140	18,6	19,8	15	7,5	W		95 AU V142	24245867	●
150	120	140	18,6	19	15	7,5	W		95 AU V142	24245891	●
150	130	144	12,2	12,5	10	5	H		95 AU V142	24265868	●
160	130	150	18,6	19,8	15	7,5	W		95 AU V142	24245868	●
160	130	150	18,6	19	15	7,5	W		95 AU V142	24245892	●
160	140	154	12,2	12,5	10	5	H	ISO	95 AU V142	24269443	●
170	150	164	12,2	12,5	10	5	H		95 AU V142	24274946	●
180	150	170	18,6	19,8	15	7,5	W		95 AU V142	24245869	●
180	150	170	18,6	19	15	7,5	W		95 AU V142	24245893	●
180	160	174	12,2	12,5	10	5	H		95 AU V142	24287370	●
200	170	190	18,6	19,8	15	7,5	W		95 AU V142	24245870	●
200	170	190	18,6	19	15	7,5	W		95 AU V142	24245894	●
200	170	190	18,6	20	15	7,5	W	ISO	95 AU V142	24245895	●
200	175	192	15,7	16	12,5	6,5	H	ISO	95 AU V142	24287379	●
220	200	214	15,7	16	10	6,5	H		95 AU V142	24337777	●
225	195	215	18,6	19	15	7,5	W		95 AU V142	24245871	●
225	195	215	18,6	19,8	15	7,5	W		95 AU V142	24245896	●
250	220	240	18,6	19	15	7,5	W		95 AU V142	24245872	●
250	220	240	18,6	20	15	7,5	W	ISO	95 AU V142	24245873	●
250	220	240	18,6	19,8	15	7,5	W		95 AU V142	24245897	●
250	225	242	15,7	16	12,5	6,5	H	ISO	95 AU V142	24289374	●
280	250	270	18,6	19,8	15	7,5	W		95 AU V142	24245874	●
280	250	270	18,6	19	15	7,5	W		95 AU V142	24245898	●
300	270	290	18,6	19,8	15	7,5	W		95 AU V142	24245875	●
300	270	290	18,6	19	15	7,5	W		95 AU V142	24245899	●
320	290	310	18,6	20	15	7,5	W	ISO	95 AU V142	24245900	●

● Available from stock ○ On request: Tool is available, delivery at short notice

Fitting: H = by hand; W = with fitting tool; blank = axially accessible housing

Merkel U-Ring NA 400

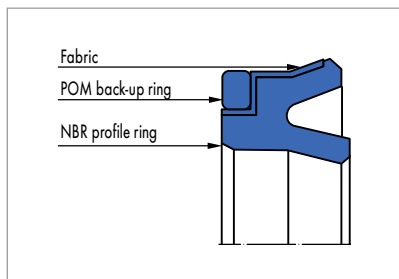


Fig. 1 Merkel U-Ring NA 400

Product description

Merkel U-ring with asymmetrical profile of the sealing lips, fabric reinforcement on the dynamic sealing side and back-up ring as a gap sealing component.

Product advantages

Single-acting piston seal for medium load, preferably for spare parts requirement.

Application

Earth moving equipment, industrial vehicles, presses, mobile hydraulics. We recommend more modern series for new designs.

Material

Sealing component

Material	Code	Hardness
Nitrile rubber NBR	80 NBR 878	80 Shore A

Back-up ring

Material	Code
Polyacetal	POM 992020

Operating conditions

Material	80 NBR 878/POM
	Temperature range in °C
Hydraulic oils HL, HLP	-30 ... +100
HFA fluids	+5 ... +60
HFB fluids	+5 ... +60
HFC fluids	-30 ... +60
HFD fluids	-
Water	+5 ... +90
HETG (rapeseed oil)	-30 ... +80
HEES (synthetic esters)	-
HEPG (glycol)	-30 ... +60
Mineral greases	-30 ... +100
Pressure p in MPa	40
Running speed v in m/s	0,5

Surface quality

Surface roughness	R _a	R _{max}
Sliding surface	0,05 ... 0,3 μm	≤2,5 μm
Groove base	≤1,6 μm	≤6,3 μm
Groove flanks	≤3,0 μm	≤15,0 μm

Percentage contact area M_v >50% to max. 90% at cutting depth c = Rz/2 and reference line C ref = 0%.

Design notes

Please observe our general design notes in → Technical Manual.

Gap dimension

The largest gap dimension occurring on the non-pressurised side of the seal in operation is of vital importance for the function of the seal. → Technical Manual.

Profile	Max. permissible gap dimension			
	16 MPa	26 MPa	32 MPa	40 MPa
≤80	0,60	0,50	0,40	0,35
>80	0,65	0,55	0,45	0,40

Tolerance recommendation and dimension d2

The admissible gap width, tolerances, guide play and deflection of the guide under load are to be taken into account when designing d2. → Technical Manual.

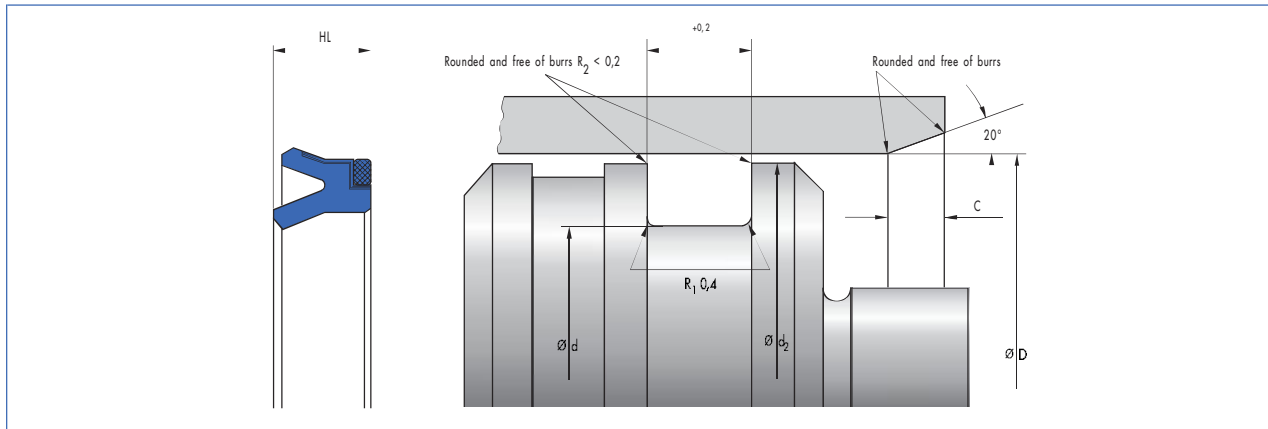
Nominal Ø D	D	d
≤320	H11	h11

Fitting & installation

Careful fitting is a prerequisite for the correct function of the seal.

→ Technical Manual.

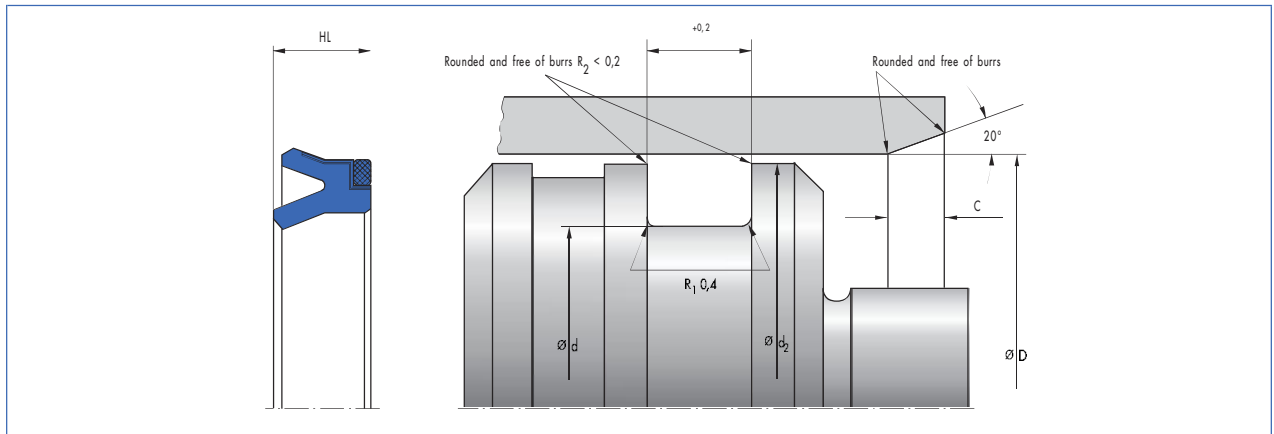
Article list



D	d	H	L	Profile	C	Fitting	Housing	Material	Article No.	
25	15	8	9	5	4			80 NBR M00878	25279	○
32	17	10	11	7,5	5,5			80 NBR M00878	25287	○
40	25	10	11	7,5	5,5			80 NBR M00878	25289	○
45	30	10	11	7,5	5,5			80 NBR M00878	4561	●
50	30	12	13	10	6			80 NBR M00878	25325	●
50	35	10	11	7,5	5,5			80 NBR M00878	25306	●
55	40	10	11	7,5	5,5			80 NBR M00878	4565	●
60	40	12	13	10	6			80 NBR M00878	30008	○
63	43	12	13	10	6			80 NBR M00878	25351	○
63	48	10	11	7,5	5,5			80 NBR M00878	25330	●
70	50	12	13	10	6			80 NBR M00878	4566	●
75	55	12	13	10	6			80 NBR M00878	30009	●
80	55	15	16	12,5	6,5			80 NBR M00878	25404	○
80	60	12	13	10	6		ISO	80 NBR M00878	25383	●
80	65	10	11	7,5	5,5	W		80 NBR M00878	25354	●
90	70	12	13	10	6	W		80 NBR M00878	30011	○
100	75	15	16	12,5	6,5			80 NBR M00878	25427	○
100	80	12	13	10	6	W	ISO	80 NBR M00878	25415	●
110	90	12	13	10	6	W		80 NBR M00878	30021	●
115	90	15	16	12,5	6,5			80 NBR M00878	35943	○
120	100	12	13	10	6	W		80 NBR M00878	30026	○
125	100	15	16	12,5	6,5		ISO	80 NBR M00878	25452	●
125	105	12	13	10	6	W	ISO	80 NBR M00878	25440	●
140	120	12	13	10	6			80 NBR M00878	30030	●
150	125	15	16	12,5	6,5			80 NBR M00878	30033	○
160	130	18	19	15	7,5			80 NBR M00878	25474	○
160	135	15	16	12,5	6,5	W	ISO	80 NBR M00878	25464	●
180	150	18	19	15	7,5			80 NBR M00878	3631	●
200	170	18	19	15	7,5		ISO	80 NBR M00878	25493	○
200	175	15	16	12,5	6,5	W	ISO	80 NBR M00878	25491	●
220	190	18	19	15	7,5			80 NBR M00878	25495	○
220	195	15	16	12,5	6,5	W		80 NBR M00878	4580	○
250	215	20	21	17,5	10			80 NBR M00878	25503	○
250	220	18	19	15	7,5	W	ISO	80 NBR M00878	25496	●
280	250	18	19	15	7,5	W		80 NBR M00878	4610	○

● Available from stock ○ On request: Tool is available, delivery at short notice

Fitting: H = by hand; W = with fitting tool; blank = axially accessible housing



D	d	H	L	Profile	C	Fitting	Housing	Material	Article No.	
320	280	23	24	20	11			80 NBR M00878	4624	○
320	285	20	21	17,5	10	W		80 NBR M00878	4618	○

● Available from stock ○ On request: Tool is available, delivery at short notice

Fitting: H = by hand; W = with fitting tool; blank = axially accessible housing

Merkel U-Ring NA 300

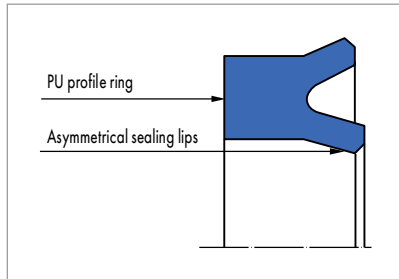


Fig. 1 Merkel U-Ring NA 300

Product description

Merkel U-ring with asymmetrical profile, outer lip set back and press fit at the inside diameter.

Product advantages

Single-acting piston seal for standardised housings, amongst others, according to ISO 5597

- Very good static and dynamic tightness.

Application

Earth moving equipment, support cylinders, presses.

Material

Material	Code	Hardness
Polyurethane	94 AU 925	94 Shore A

Operating conditions

Material	94 AU 925
	Temperature range in °C
Hydraulic oils HL, HLP	-30 ... +110
HFA fluids	+5 ... +50
HFB fluids	+5 ... +50
HFC fluids	-30 ... +40
HFD fluids	-
Water	+5 ... +40
HETG (rapeseed oil)	-30 ... +60
HEES (synthetic esters)	-30 ... +80
HEPG (glycol)	-30 ... +40
Mineral greases	-30 ... +110
Pressure p in MPa	40
Running speed v in m/s	0,5

Surface quality

Surface roughness	R _a	R _{max}
Sliding surface	0,05 ... 0,3 µm	≤2,5 µm
Groove base	≤1,6 µm	≤6,3 µm
Groove flanks	≤3,0 µm	≤15,0 µm

Percentage contact area M_v >50% to max. 90% at cutting depth c = Rz/2 and reference line C ref = 0%.

Design notes

Please observe our general design notes in → Technical Manual.

Gap dimension

The largest gap dimension occurring on the non-pressurised side of the seal in operation is of vital importance for the function of the seal. → Technical Manual.

Profile	Max. permissible gap dimension			
	16 MPa	26 MPa	32 MPa	40 MPa
4,0 ... 5,0	0,50	0,40	0,35	0,30
>5,0 ... 7,5	0,55	0,45	0,40	0,35
>7,5 ... 11,0	0,66	0,50	0,45	0,40

Tolerance recommendation and dimension d2

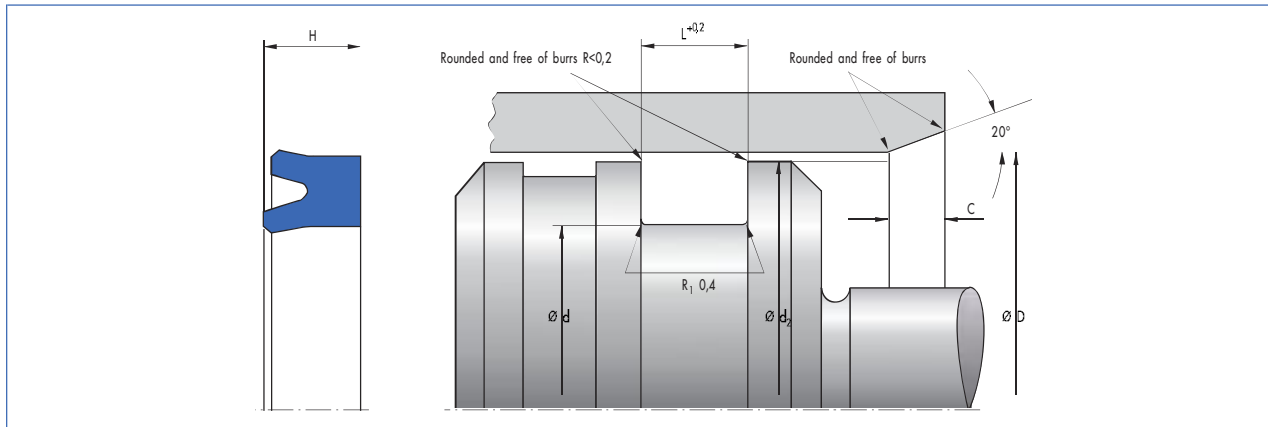
The admissible gap width, tolerances, guide play and deflection of the guide under load are to be taken into account when designing d2. → Technical Manual.

Nominal Ø D	D	d
≤400	H9	h11

Fitting & installation

Careful fitting is a prerequisite for the correct function of the seal.
→ Technical Manual.

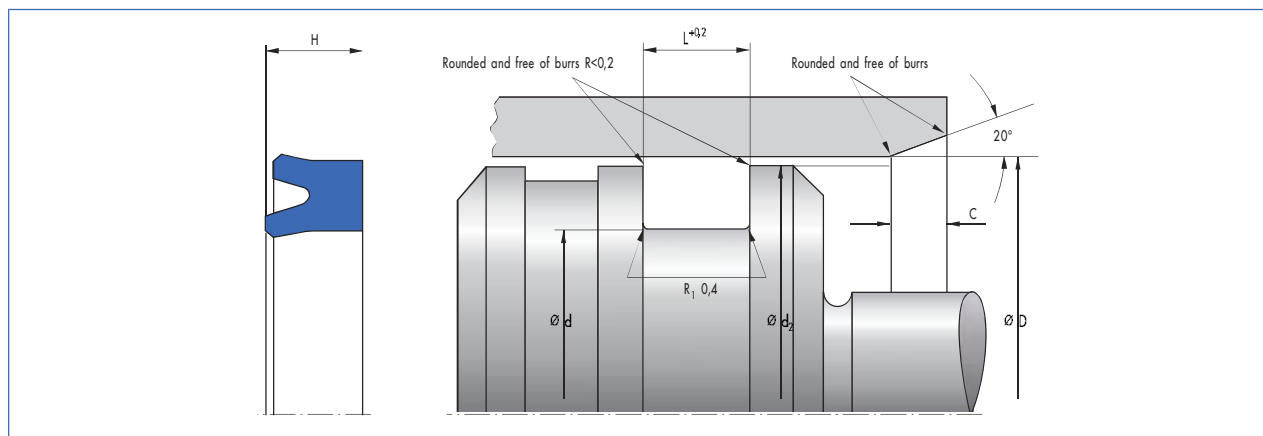
Article list



D	d	H	L	Profile	C	Fitting	Housing	Material	Article No.	
16	6	8	9	5	4			94 AU P00925	21658	●
20	10	8	9	5	4			94 AU P00925	21663	●
22	12	8	9	5	4			94 AU P00925	21668	●
23,5	15	8	9	4,25	4,5			94 AU P00925	322037	○
25	15	8	9	5	4			94 AU P00925	21675	●
30	20	8	9	5	4,5			94 AU P00925	21679	●
32	17	10	11	7,5	5,5			94 AU P00925	21681	●
32	22	10	11	5	4,5			94 AU P00925	21682	●
32	24	5,7	6,7	4	4		ISO	94 AU P00925	401144	●
35	25	7,3	8,3	5	4,5			94 AU P00925	401159	●
38	25	10	11	6,5	5,5			94 AU P00925	401189	○
40	25	10	11	7,5	5,5			94 AU P00925	21691	●
40	30	10	11	5	4,5			94 AU P00925	21692	●
45	30	10	11	7,5	5,5			94 AU P00925	362912	●
48	28	12	13	10	6			94 AU P00925	401210	○
48	35	10	11	6,5	5,5			94 AU P00925	401230	○
50	30	12	13	10	6			94 AU P00925	21701	●
50	35	10	11	7,5	5,5			94 AU P00925	21705	●
50	40	10	11	5	4,5			94 AU P00925	21710	●
55	35	12	13	10	6			94 AU P00925	401253	○
60	40	12	13	10	6			94 AU P00925	21712	●
60	45	10	11	7,5	5,5			94 AU P00925	21713	●
60	50	10	11	5	4,5			94 AU P00925	21718	●
63	43	12	13	10	6			94 AU P00925	21719	○
63	45	12	13	9	6			94 AU P00925	401256	○
63	48	12	13	7,5	5,5		ISO	94 AU P00925	21727	●
63	53	12	13	5	4,5	H		94 AU P00925	21730	●
65	50	10	11	7,5	5,5			94 AU P00925	401260	○
70	50	12	13	10	6			94 AU P00925	21733	●
70	55	12	13	7,5	5,5			94 AU P00925	21735	●
70	60	12	13	5	4,5	H		94 AU P00925	21737	●
75	55	12	13	10	6			94 AU P00925	401254	○
75	60	12	13	7,5	5,5			94 AU P00925	401262	○
80	60	12	13	10	6		ISO	94 AU P00925	21740	●
80	65	12	13	7,5	5,5			94 AU P00925	21763	●

● Available from stock ○ On request: Tool is available, delivery at short notice

Fitting: H = by hand; W = with fitting tool; blank = axially accessible housing



D	d	H	L	Profile	C	Fitting	Housing	Material	Article No.	
80	70	12	13	5	4,5	H		94 AU P00925	21765	●
85	70	12	13	7,5	5,5			94 AU P00925	81715	○
90	65	12	13	12,5	6,5			94 AU P00925	339345	●
90	70	12	13	10	6			94 AU P00925	400522	●
90	75	12	13	7,5	5,5			94 AU P00925	373006	●
95	80	12	13	7,5	5,5			94 AU P00925	401303	●
100	80	12	13	10	6		ISO	94 AU P00925	21771	●
100	85	12	13	7,5	5,5	H	ISO	94 AU P00925	21775	●
110	90	12	13	10	6			94 AU P00925	363173	○
110	95	12	13	7,5	5,5			94 AU P00925	401317	●
115	90	15	16	12,5	6,5			94 AU P00925	389161	○
115	95	15	16	10	6			94 AU P00925	401318	○
120	100	12	13	10	6			94 AU P00925	367812	●
125	95	18	19	15	7,5			94 AU P00925	21778	○
125	100	15	16	12,5	6,5		ISO	94 AU P00925	401339	●
125	105	15	16	10	6		ISO	94 AU P00925	21784	●
130	110	15	16	10	6			94 AU P00925	314121	○
140	120	12	13	10	6			94 AU P00925	401345	○
140	125	15	16	7,5	5,5			94 AU P00925	401346	○
150	120	18	19	15	7,5			94 AU P00925	21788	○
150	130	15	16	10	6	H		94 AU P00925	21790	●
160	130	18	19	15	7,5			94 AU P00925	21793	○
160	140	15	16	10	6	H	ISO	94 AU P00925	21794	●
170	150	15	16	10	6	H		94 AU P00925	21796	●
180	160	15	16	10	6			94 AU P00925	3980	○
200	180	15	16	10	6	H		94 AU P00925	21811	●
220	190	18	19	15	7,5			94 AU P00925	21816	○
360	320	28	29	20	11			94 AU P00925	21843	○
360	330	20	21	15	7,5			94 AU P00925	21845	○
400	360	28	29	20	11		ISO	94 AU P00925	21846	○
400	370	20	21	15	7,5			94 AU P00925	21847	○

● Available from stock ○ On request: Tool is available, delivery at short notice

Fitting: H = by hand; W = with fitting tool; blank = axially accessible housing

Merkel U-Ring NA 250

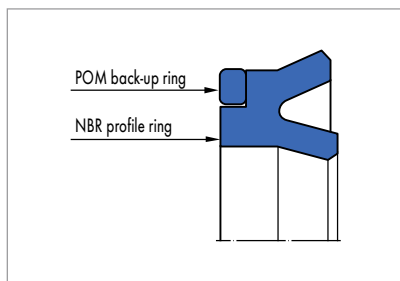


Fig. 1 Merkel U-Ring NA 250

Product description

Merkel U-ring with asymmetrical profile of the sealing lips and back-up ring as a gap sealing component.

Product advantages

Single-acting piston seal for medium load, preferably for spare parts requirement.

Application

Standard cylinders, earth moving equipment, forestry equipment, excavators. We recommend more modern series for new designs.

Material

Sealing component

Material	Code	Hardness
Nitrile rubber NBR	80 NBR 878	80 Shore A

Back-up ring

Material	Code
Polyacetal	POM 992020

Operating conditions

Material	80 NBR 878/POM
	Temperature range in °C
Hydraulic oils HL, HLP	-30 ... +100
HFA fluids	+5 ... +60
HFB fluids	+5 ... +60
HFC fluids	-30 ... +60
HFD fluids	-
Water	+5 ... +90
HETG (rapeseed oil)	-30 ... +80
HEES (synthetic esters)	-
HEPG (glycol)	-30 ... +60
Mineral greases	-30 ... +100
Pressure p in MPa	25
Running speed v in m/s	0,5

Surface quality

Surface roughness	R _a	R _{max}
Sliding surface	0,05 ... 0,3 µm	≤2,5 µm
Groove base	≤1,6 µm	≤6,3 µm
Groove flanks	≤3,0 µm	≤15,0 µm

Percentage contact area M_r >50% to max. 90% at cutting depth c = Rz/2 and reference line C ref = 0%.

Design notes

Please observe our general design notes in → Technical Manual.

Gap dimension

The largest gap dimension occurring on the non-pressurised side of the seal in operation is of vital importance for the function of the seal. → Technical Manual.

Profile	Max. permissible gap dimension		
	7,5 MPa	10 MPa	25 MPa
≤80	0,95	0,80	0,60
>80	1,00	0,85	0,65

Tolerance recommendation and dimension d2

The admissible gap width, tolerances, guide play and deflection of the guide under load are to be taken into account when designing d2. → Technical Manual.

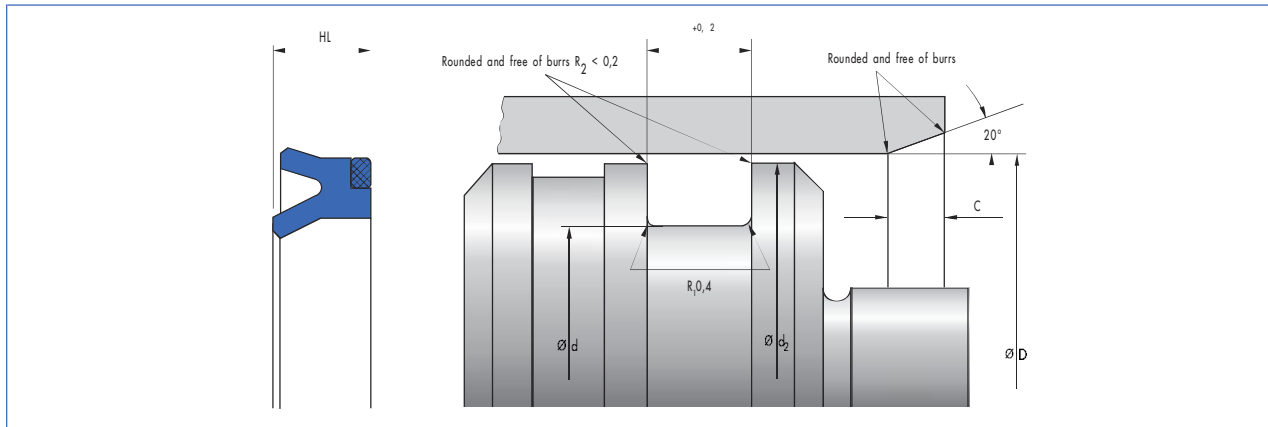
Nominal Ø D	D	d
≤180	H11	h11

Fitting & installation

Careful fitting is a prerequisite for the correct function of the seal.

→ Technical Manual.

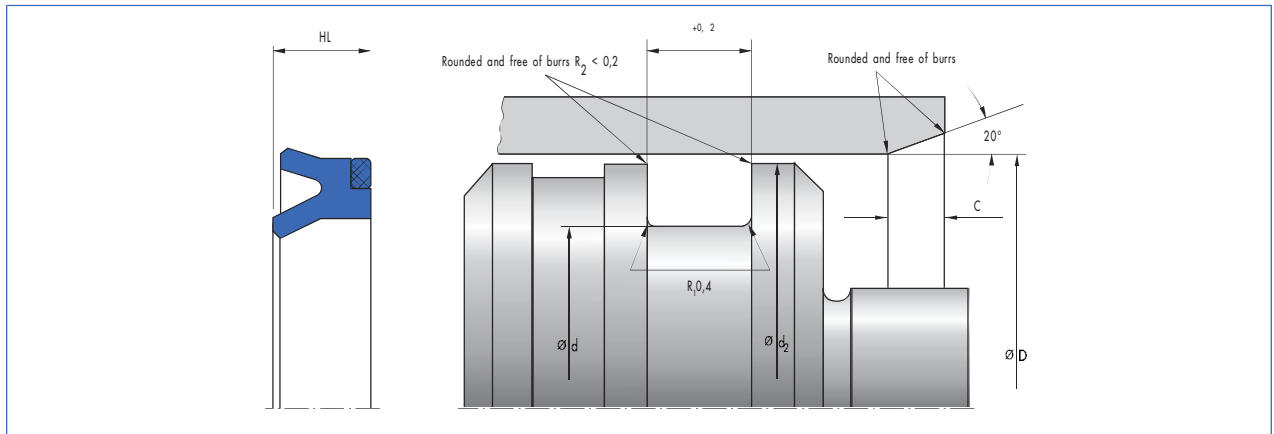
Article list



D	d	H	L	Profile	C	Fitting	Housing	Material	Article No.	
32	20	10	11	6	5			80 NBR M00878	4429	○
35	22	10	11	6,5	5,5			80 NBR M00878	18426	○
38	25	10	11	6,5	5,5			80 NBR M00878	18429	○
40	25	10	11	7,5	5,5			80 NBR M00878	18432	●
42	22	10	11	10	6			80 NBR M00878	32166	●
42	30	10	11	6	5			80 NBR M00878	18434	○
45	30	10	11	7,5	5,5			80 NBR M00878	18436	○
50	30	12	13	10	6			80 NBR M00878	18443	○
50	35	10	11	7,5	5,5	W		80 NBR M00878	18442	●
55	40	10	11	7,5	5,5	W		80 NBR M00878	18446	●
60	40	12	13	10	6			80 NBR M00878	18450	○
60	45	10	11	7,5	5,5	W		80 NBR M00878	18449	●
63	45	12	13	9	6			80 NBR M00878	18451	●
65	45	12	13	10	6			80 NBR M00878	18453	○
65	50	10	11	7,5	5,5	W		80 NBR M00878	18452	●
70	50	12	13	10	6			80 NBR M00878	18457	○
70	55	12	13	7,5	5,5	W		80 NBR M00878	18456	●
75	60	12	13	7,5	5,5	W		80 NBR M00878	18460	○
80	60	12	13	10	6		ISO	80 NBR M00878	18466	●
80	65	12	13	7,5	5,5	W	ISO	80 NBR M00878	18465	●
82	65	12	13	8,5	6			80 NBR M00878	18467	○
85	70	12	13	7,5	5,5	W		80 NBR M00878	18469	●
90	70	12	13	10	6			80 NBR M00878	18476	○
90	75	12	13	7,5	5,5	W		80 NBR M00878	18475	●
95	75	12	13	10	6	W		80 NBR M00878	18478	○
100	80	15	16	10	6	W	ISO	80 NBR M00878	18479	●
100	85	12	13	7,5	5,5	W		80 NBR M00878	18480	●
105	85	15	16	10	6	W		80 NBR M00878	18484	●
105	90	12	13	7,5	5,5	W		80 NBR M00878	18481	●
110	85	15	16	12,5	6,5			80 NBR M00878	17614	○
110	90	15	16	10	6	W		80 NBR M00878	18486	○
110	95	12	13	7,5	5,5	W		80 NBR M00878	18485	●
115	90	15	16	12,5	6,5			80 NBR M00878	18491	○
120	95	15	16	12,5	6,5			80 NBR M00878	18496	○
120	100	15	16	10	6	W		80 NBR M00878	18494	○

● Available from stock ○ On request: Tool is available, delivery at short notice

Fitting: H = by hand; W = with fitting tool; blank = axially accessible housing



D	d	H	L	Profile	C	Fitting	Housing	Material	Article No.	
125	100	15	16	12,5	6,5		ISO	80 NBR M00878	18501	○
125	105	15	16	10	6	W	ISO	80 NBR M00878	18498	●
130	110	15	16	10	6	W		80 NBR M00878	18504	○
140	115	15	16	12,5	6,5	W		80 NBR M00878	17613	●
140	125	15	16	7,5	5,5	W		80 NBR M00878	2920	○
160	135	18	19	12,5	6,5	W	ISO	80 NBR M00878	21094	○
180	160	15	16	10	6	W		80 NBR M00878	29462	○

● Available from stock ○ On request: Tool is available, delivery at short notice

Fitting: H = by hand; W = with fitting tool; blank = axially accessible housing

Merkel U-Ring NA 150

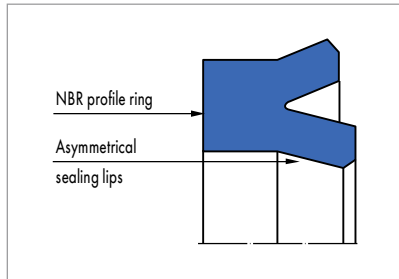


Fig. 1 Merkel U-ring NA 150

Product description

Merkel U-ring with asymmetrical profile of the sealing lips.

Product advantages

Single-acting piston seal, preferably for spare parts requirement.

Application

Earth moving equipment, industrial vehicles, agricultural machinery.
We recommend more modern series for new designs.

Material

Profile ring

Material	Code	Hardness
Nitrile rubber NBR	80 NBR 878	80 Shore A

Operating conditions

Material	80 NBR 878
	Temperature range in °C
Hydraulic oils HL, HLP	-30 ... +100
HFA fluids	+5 ... +60
HFB fluids	+5 ... +60
HFC fluids	-30 ... +60
HFD fluids	-
Water	+5 ... +90
HETG (rapeseed oil)	-30 ... +80
HEES (synthetic esters)	-
HEPG (glycol)	-30 ... +60
Mineral greases	-30 ... +100
Pressure p in MPa	10
Running speed v in m/s	0,5

Surface quality

Surface roughness	R _a	R _{max}
Sliding surface	0,05 ... 0,3 µm	≤2,5 µm
Groove base	≤1,6 µm	≤6,3 µm
Groove flanks	≤3,0 µm	≤15,0 µm

Percentage contact area M_p >50% to max. 90% at cutting depth c = Rz/2 and reference line C ref = 0%.

Design notes

Please observe our general design notes in → Technical Manual.

Gap dimension

The largest gap dimension occurring on the non-pressurised side of the seal in operation is of vital importance for the function of the seal. → Technical Manual.

Profile	Max. permissible gap dimension			
	2,5 MPa	5 MPa	7,5 MPa	10 MPa
≤5	0,45	0,30	0,25	0,20
>5	0,50	0,35	0,30	0,25

Tolerance recommendation and dimension d2

The admissible gap width, tolerances, guide play and deflection of the guide under load are to be taken into account when designing d2. → Technical Manual.

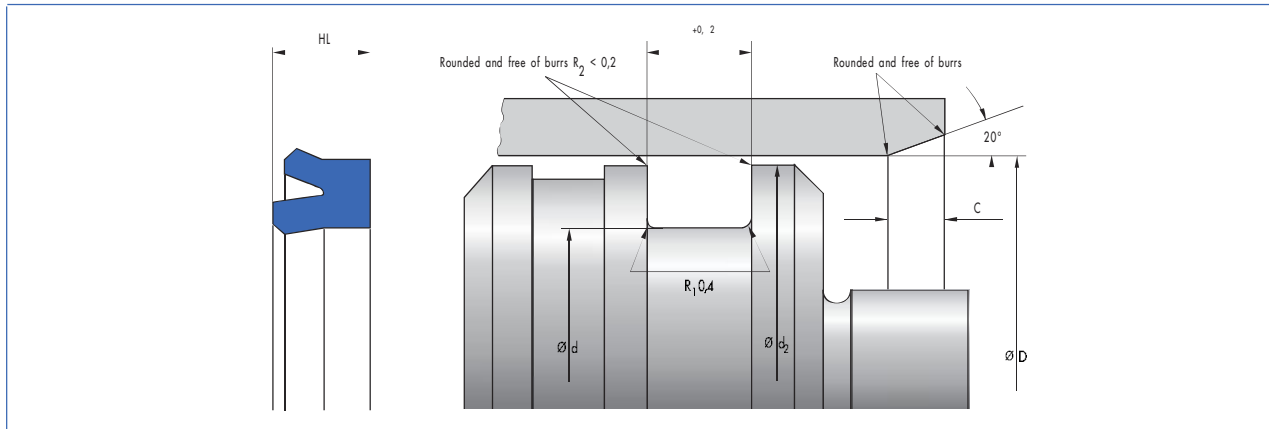
Nominal Ø D	D	d
≤200	H11	h11

Fitting & installation

Careful fitting is a prerequisite for the correct function of the seal.

→ Technical Manual.

Article list



D	d	H	L	Profile	C	Fitting	Housing	Material	Article No.	
12	6	4	4,5	3	2,5			80 NBR M00878	84515	●
16	10	4	4,5	3	2,5			80 NBR M00878	84516	●
20	12	5,5	6	4	4		ISO	80 NBR M00878	84517	●
25	17	5,5	6	4	4,5	H	ISO	80 NBR M00878	84518	●
32	24	5,5	6	4	4,5	H	ISO	80 NBR M00878	84519	●
40	30	7	7,5	5	4,5	H	ISO	80 NBR M00878	84520	●
50	40	7	7,5	5	4,5	H	ISO	80 NBR M00878	84521	●
63	53	7	7,5	5	4,5	H	ISO	80 NBR M00878	84522	●
70	58	8,5	9,5	6	5	H		80 NBR M00878	84523	●
80	68	8,5	9,5	6	5	H		80 NBR M00878	84524	●
100	88	8,5	9,5	6	5	H		80 NBR M00878	84525	●
125	110	10	11	7,5	5,5	H		80 NBR M00878	84526	●
140	125	10	11	7,5	5,5	H		80 NBR M00878	84527	●
160	145	10	11	7,5	5,5	H		80 NBR M00878	84528	●
180	160	14	15	10	6	H		80 NBR M00878	84529	●
200	180	14	15	10	6	H		80 NBR M00878	84530	●

● Available from stock ○ On request: Tool is available, delivery at short notice

Fitting: H = by hand; W = with fitting tool; blank = axially accessible housing